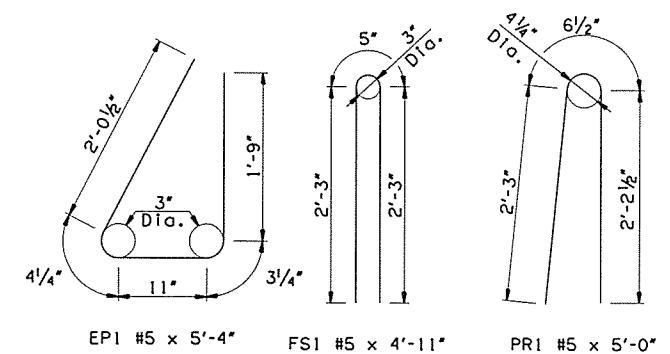
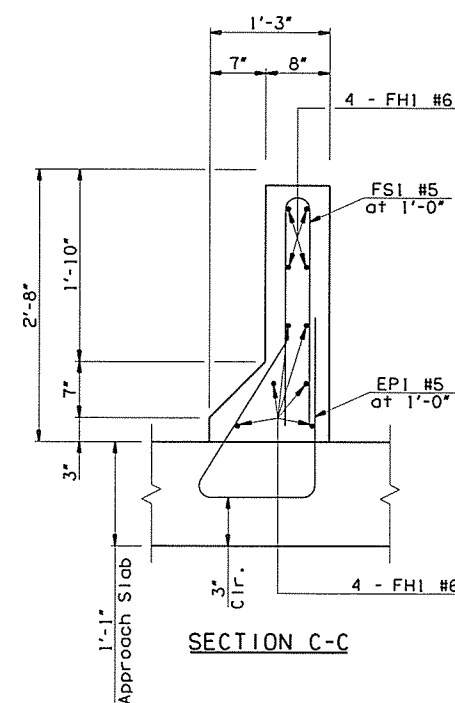
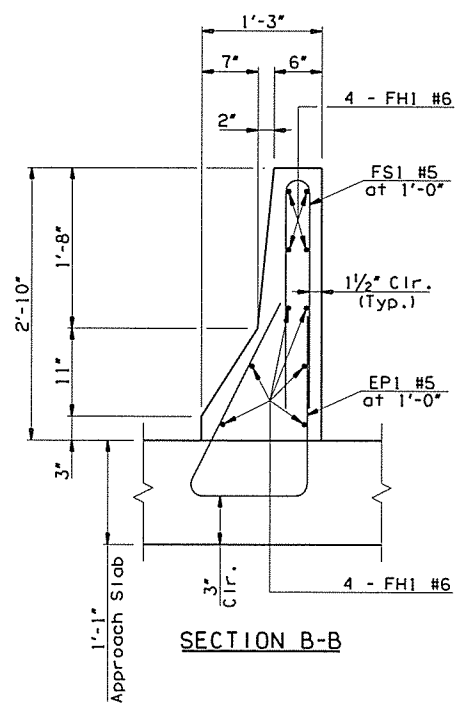
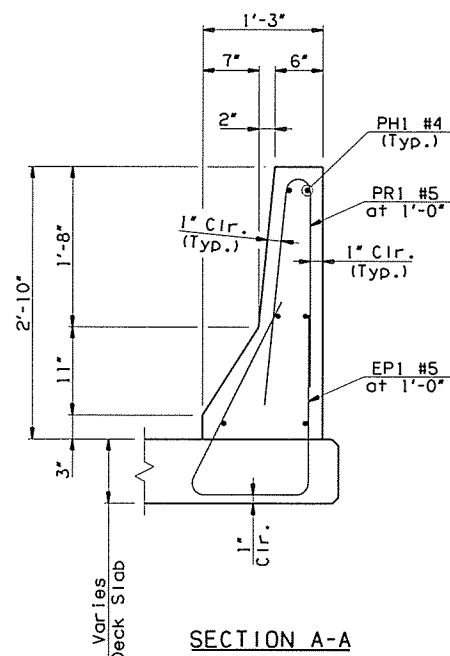
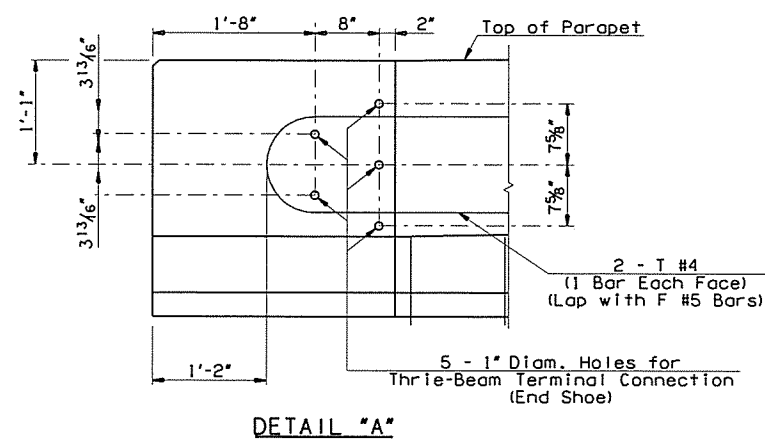
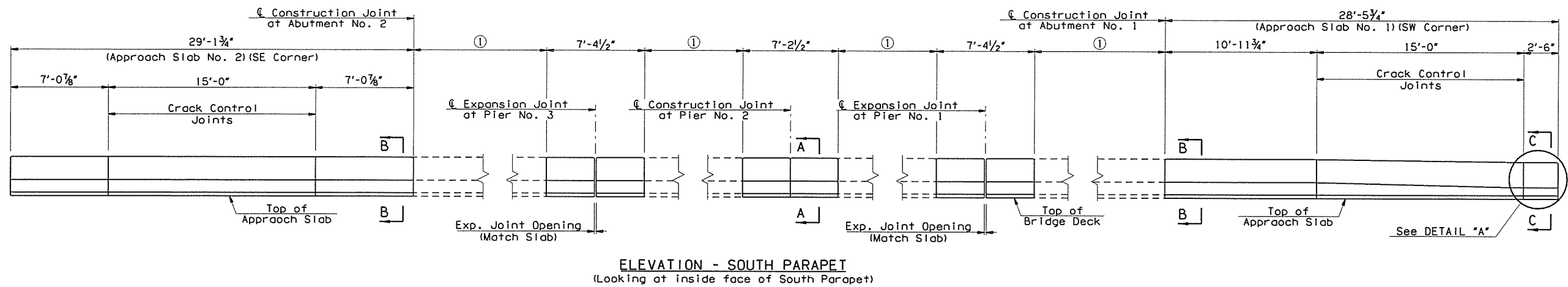
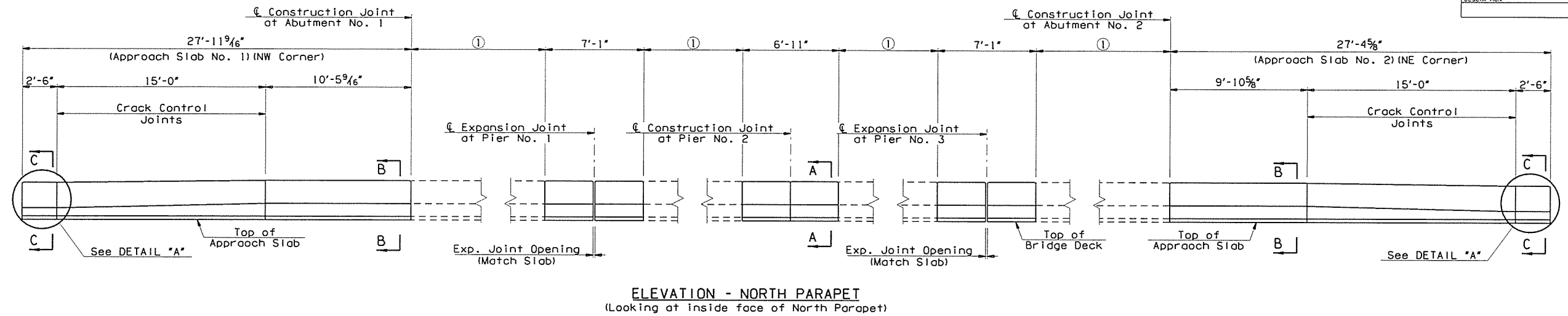


OKLAHOMA DEPARTMENT OF TRANSPORTATION						
FED. ROAD DIST. NO.	STATE	JOB PIECE NO.	FISCAL YEAR	SHEET NO.	TOTAL SHEETS	REVISIONS
X	OKLA.	28872104				
DESCRIPTION						DATE



① Existing Parapet to Remain.  
**NOTES:**  
 Dimensions measured along roadway face of Parapet.  
 For further information about the Joint replacement at Piers, see Sheet Nos. 17 - 20.  
 Field Bend EPI Bars to maintain clear distances.

I-44 WB OVER S 38TH W AVE & TSU RR BRIDGE "A"	TULSA COUNTY	DESIGN	JMO	10/15
		DETAIL	SJL	10/15
		CHECK	BRT	11/15
<b>GARVER</b>				