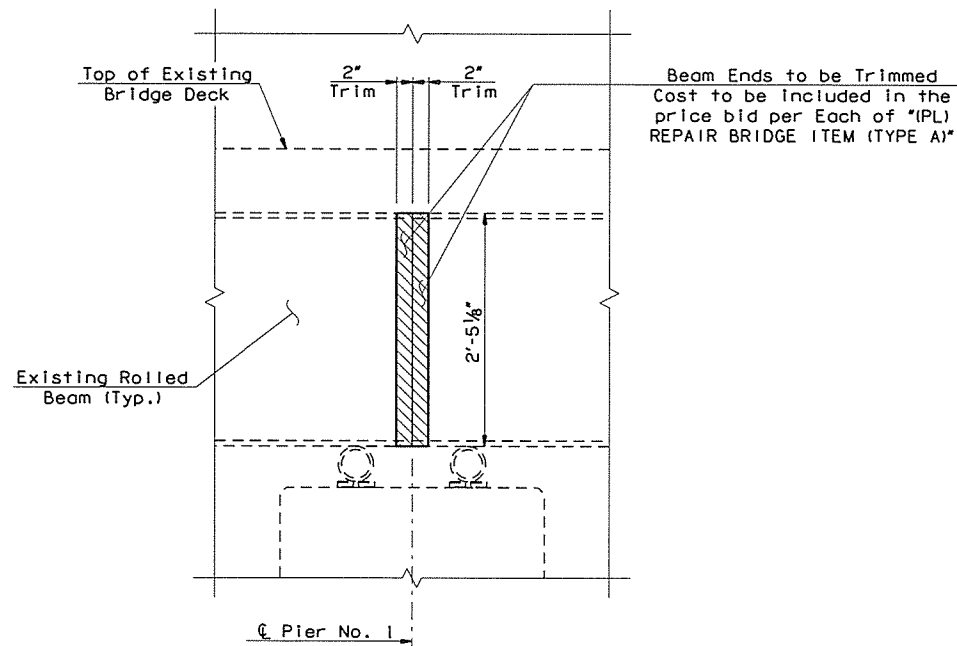
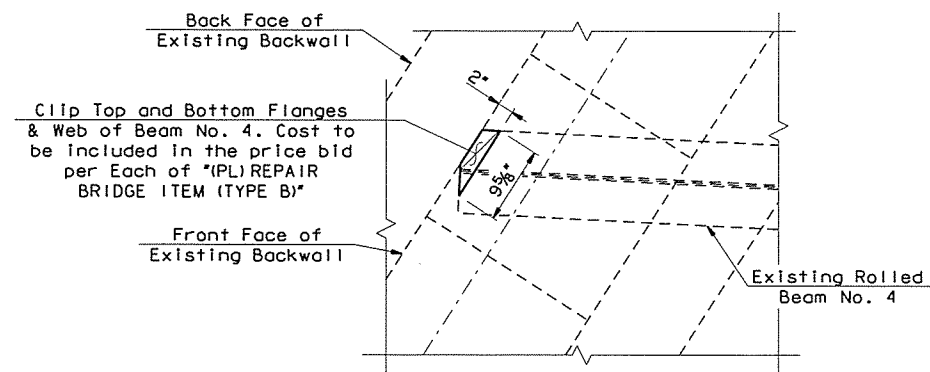
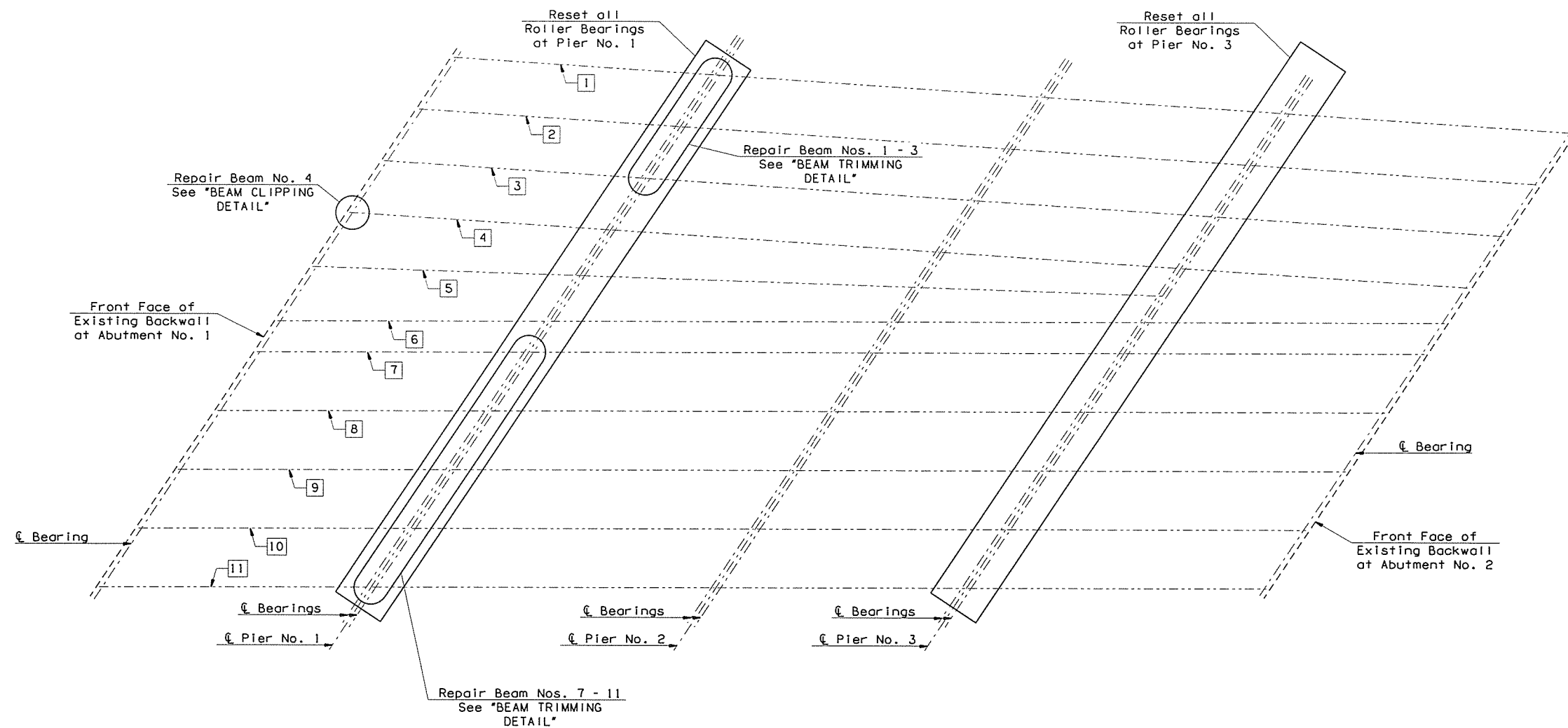


OKLAHOMA DEPARTMENT OF TRANSPORTATION						
FED. ROAD DIST. NO.	STATE	JOB PIECE NO.	FISCAL YEAR	SHEET NO.	TOTAL SHEETS	
X	OKLA.	288721041				
DESCRIPTION				REVISIONS	DATE	



-44 WB OVER S 38TH W AVE & TSU RR BRIDGE "A"	TULSA COUNTY	DESIGN	JMD	10/15
SUPERSTRUCTURE REPAIR DETAILS		DETAIL	SJL	10/15
		CHECK	BRT	11/15
		<b>GARVER</b>		

STATE OF OKLAHOMA	DEPARTMENT OF TRANSPORTATION
JOB PIECE NO. 288721041	SHEET NO. 16