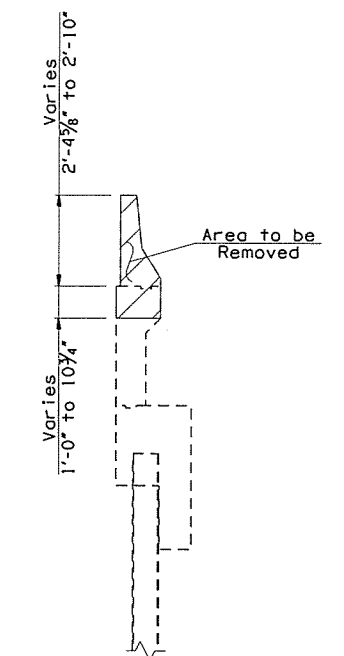
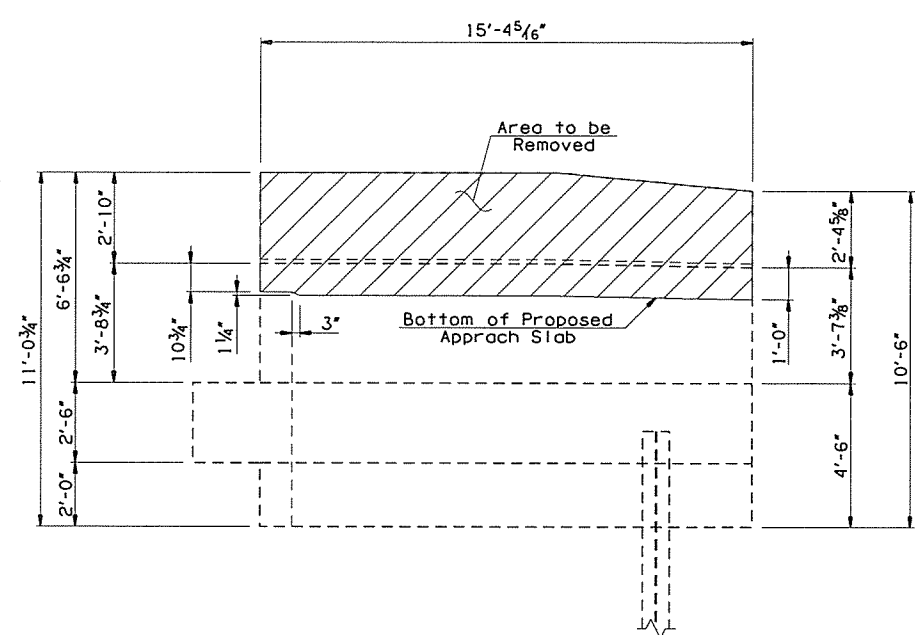
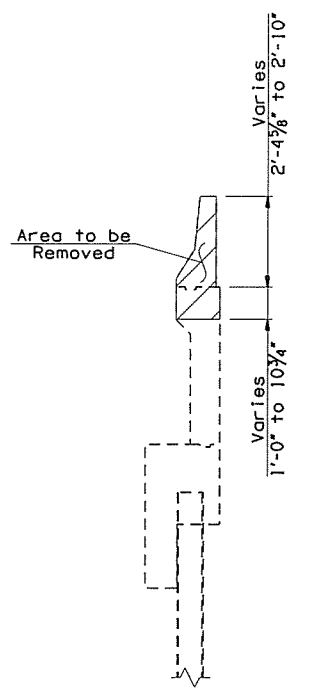
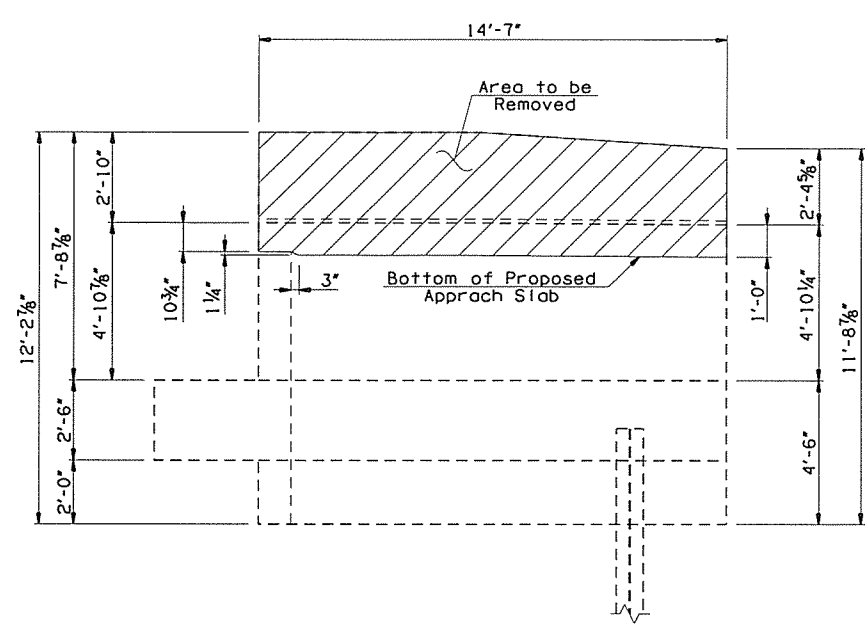
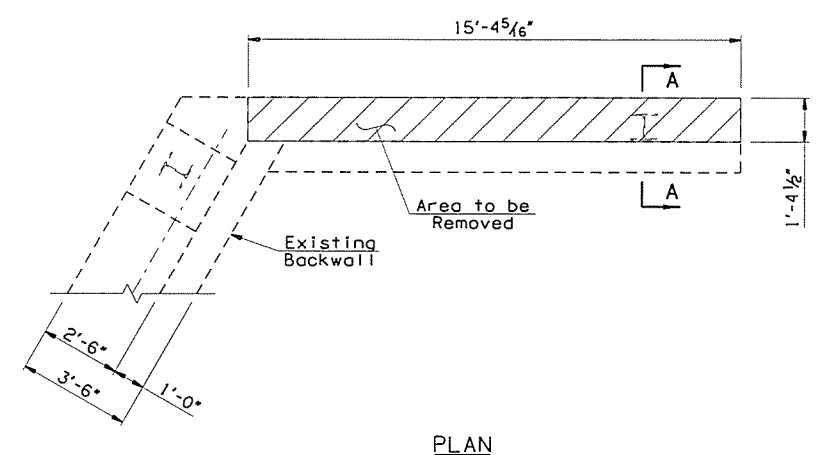
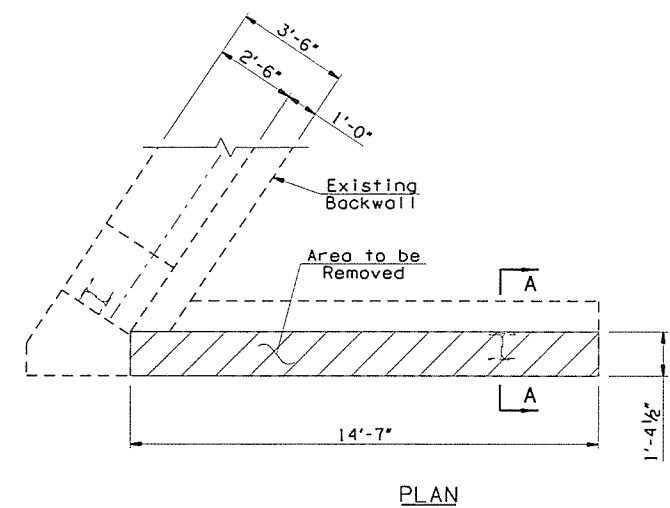


OKLAHOMA DEPARTMENT OF TRANSPORTATION						
FED. ROAD DIST. NO.	STATE	JOB PIECE NO.	FISCAL YEAR	SHEET NO.	TOTAL SHEETS	
X	OKLA.	288721041				
DESCRIPTION						DATE
REVISIONS						



ELEVATION

SECTION A-A
(Looking Forward Station)

ELEVATION

SECTION A-A
(Looking Forward Station)

SOUTHEAST WING

NORTHEAST WING

ABUTMENT NO. 2 WING DEMOLITION DETAILS

NOTES:

All incidental construction required for the removal of portions of existing Wingwalls, including concrete removal, excavation, saw cutting, labor & equipment shall be included in the price per Lump Sum of "REMOVAL OF BRIDGE ITEMS".

All dimensions of the existing components shown on the plans are approximate. The contractor shall verify all data necessary to remove portions of the existing Abutments & shall be solely responsible for the accuracy thereof.

For construction details at Abutment No. 2, see Sheet No. 14.

Removal of portions of backwall shall be performed after removal of parapet & wing portions.

LEGEND

- Demolition cost to be included in the price bid per Lump Sum of "REMOVAL OF BRIDGE ITEMS".
- Existing Structure

I-44 WB OVER S 38TH W AVE TULSA COUNTY		DESIGN	JMO	8/15
& TSU RR BRIDGE "A"		DETAIL	SJL	10/15
ABUTMENT DETAILS (SHEET 2 OF 4)		CHECK	BRT	11/15
		GARVER		

STATE OF OKLAHOMA	DEPARTMENT OF TRANSPORTATION
JOB PIECE NO. 288721041	SHEET NO. 12