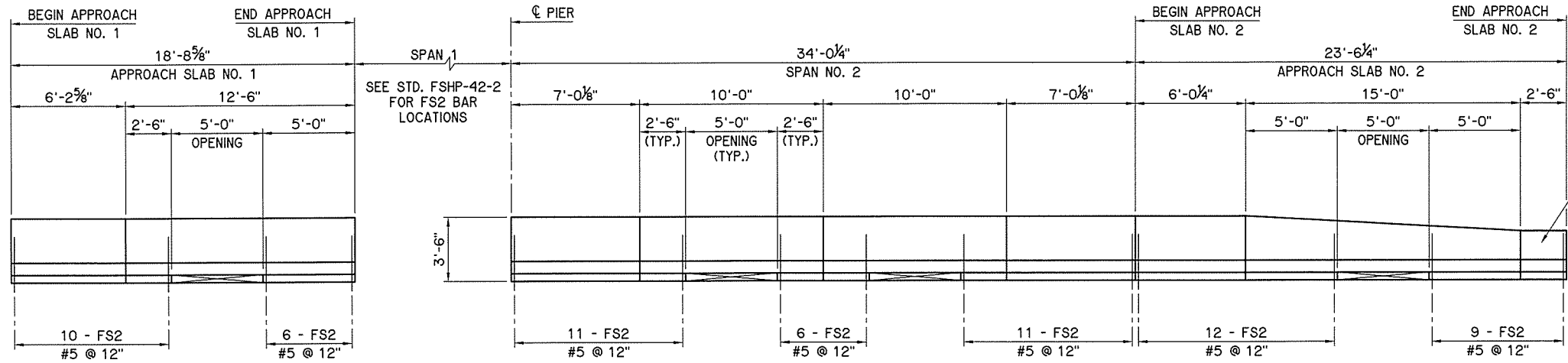
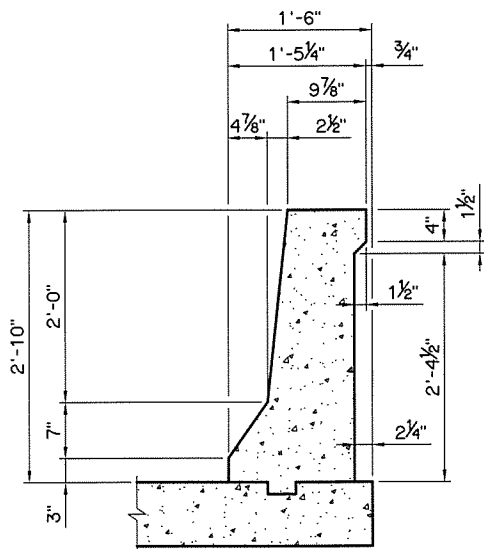


REV. NO.	REVISIONS DESCRIPTION	DATE

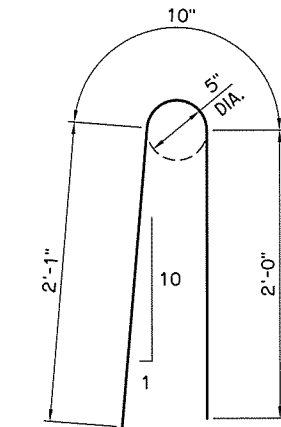


**NORTH PARAPET DRAINAGE OPENING LOCATIONS**

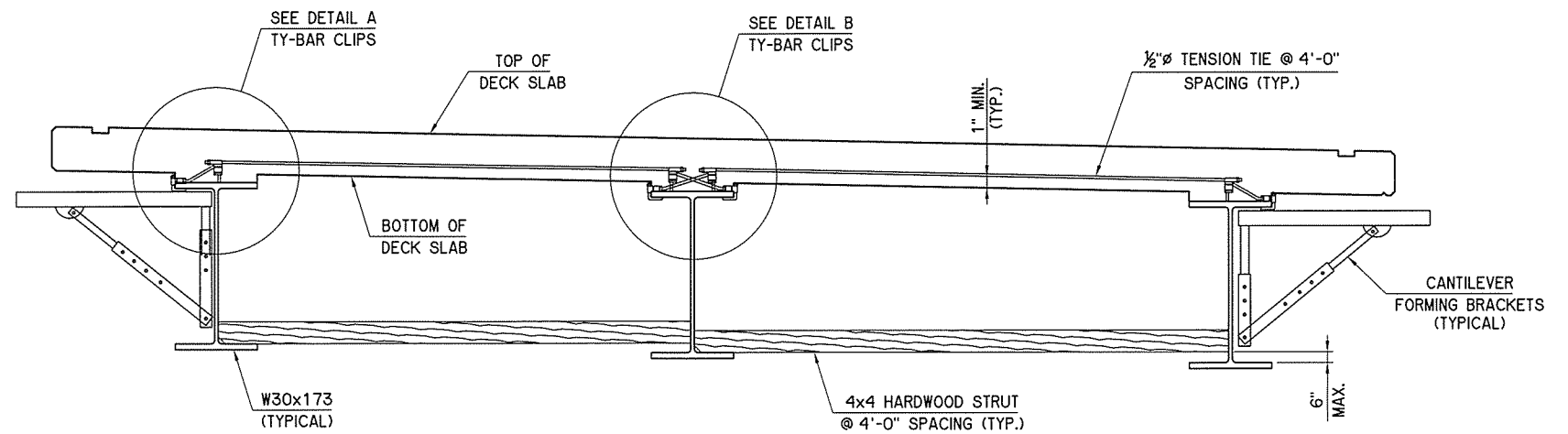
NOTE:  
PLACE GUARDRAIL CONNECTION ON EAST END OF SOUTH PARAPET. FOR ALL OTHER PARAPET DETAILS, INCLUDING FS2 BAR LOCATIONS AT SPAN NO. 1 AND SOUTH PARAPET, SEE FSHP-42-2 STANDARD.



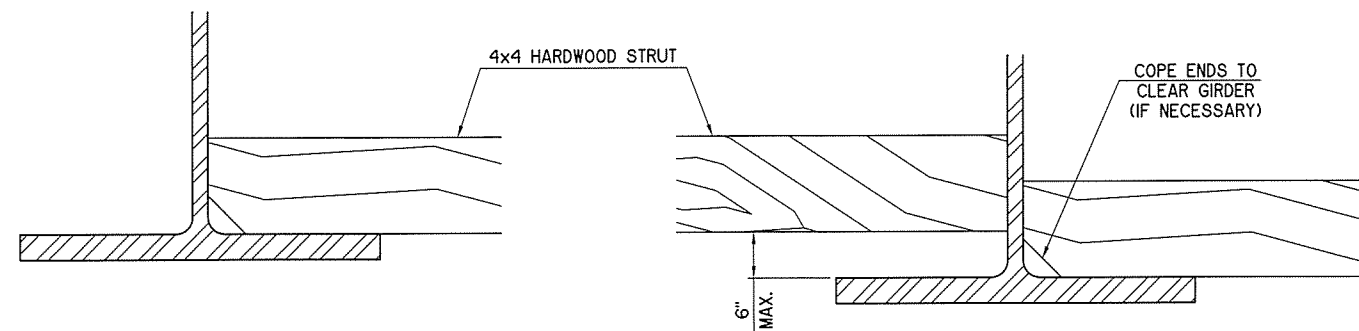
**MODIFIED F-SHAPE SECTION**  
SOUTH PARAPET ONLY



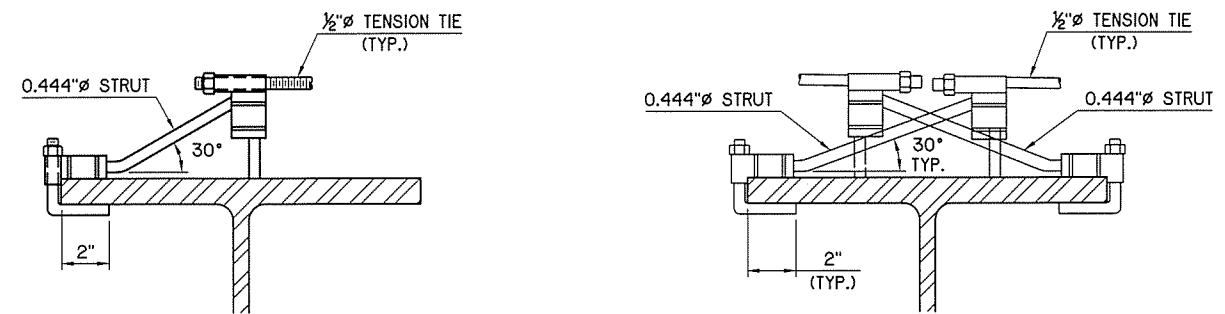
FS7 #5 x 4'-11"  
(USE IN LIEU OF STD. FS1 & FS4 BARS FOR SOUTH PARAPET)



**BEAM BRACING FOR DECK SLAB PLACEMENT**



**HARDWOOD STRUT DETAIL**



**TY-BAR CLIP DETAILS**  
(EPOXY COATED)

N-1ST RAMP OVER U.S. 75	TULSA COUNTY	Design	JNS
<b>SUPERSTRUCTURE DETAILS</b>		Detail	HE-J
		Check	JNS
SHEET 10 OF 10		WHITE ENGINEERING ASSOCIATES	
PARAPET DETAILS AND BEAM BRACING DETAILS		STATE OF OKLAHOMA DEPARTMENT OF TRANSPORTATION	
JOB PIECE NO. 28879(O4)		SHEET NO. 16	