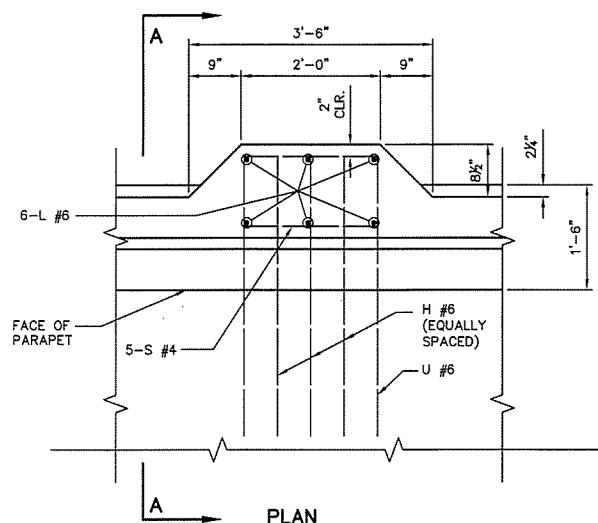
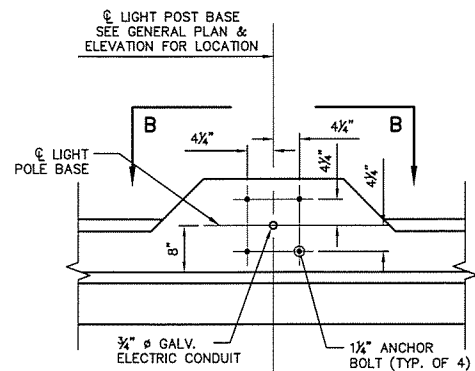


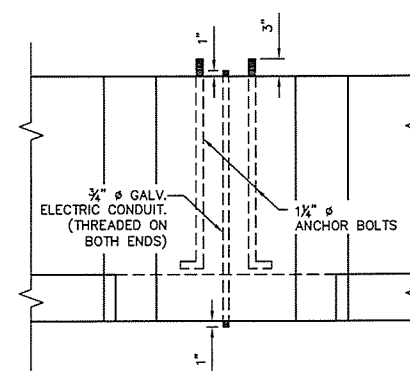
SECTION A-A



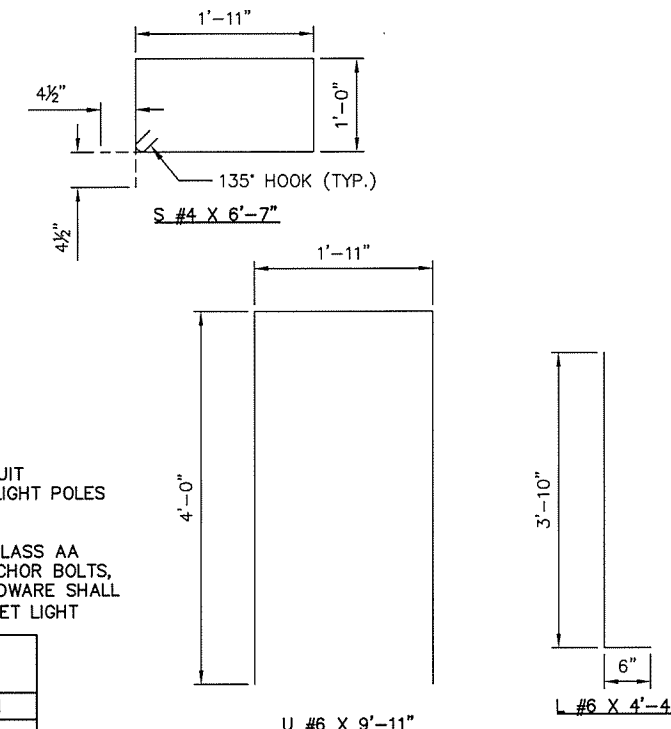
PLAN



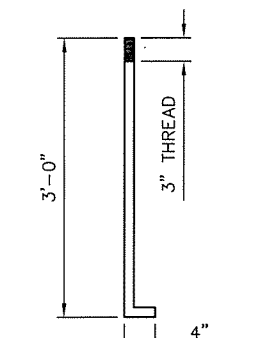
DETAIL OF ANCHOR BOLT & CONDUIT PLACEMENT



SECTION B-B



DETAILS OF BENT REINFORCEMENT



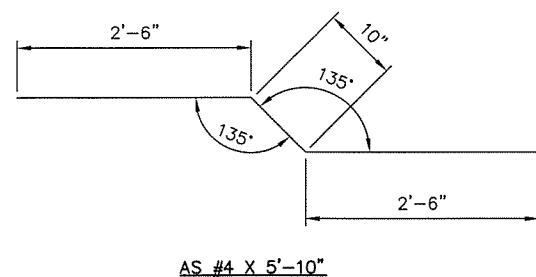
ANCHOR BOLT 1/2" Ø DEFORMED BAR X 3'-4" W/ HEX NUT AND WASHERS

NOTES:

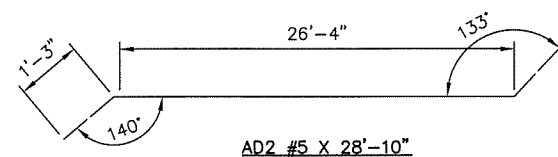
CONTRACTOR SHALL VERIFY ANCHOR BOLT & CONDUIT CONFIGURATION FOR COMPATIBILITY WITH EXISTING LIGHT POLES AND MAKE ADJUSTMENTS IF REQUIRED.

ALL COSTS OF LIGHT POLE SUPPORTS, INCLUDING CLASS AA CONCRETE, EPOXY COATED REINFORCING STEEL, ANCHOR BOLTS, CONDUIT, WIRING, LIGHTING AND ATTACHMENT HARDWARE SHALL BE INCLUDED IN THE BID PRICE PER EACH OF "RESET LIGHT POLES."

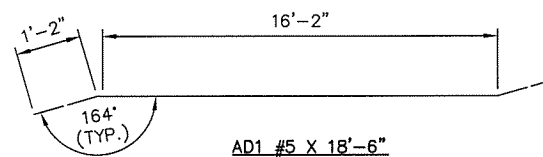
BAR LIST - ONE LIGHT POLE BASE				
MARK	NO.	SIZE	FORM	LENGTH
EPOXY COATED				
H	3	#6	STR.	4'-0"
L	6	#6	BNT	4'-4"
S	4	#4	BNT.	6'-7"
U	1	#6	BNT.	9'-11"



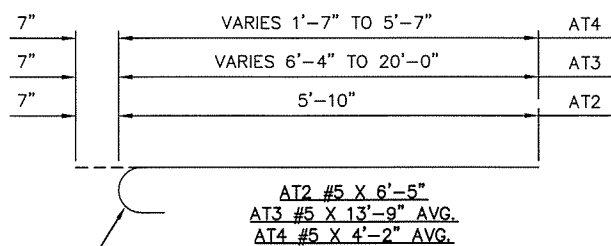
AS #4 X 5'-10"



AD2 #5 X 28'-10"

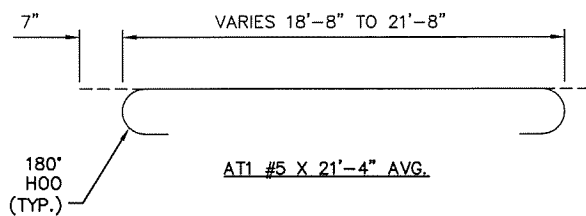


AD1 #5 X 18'-6"



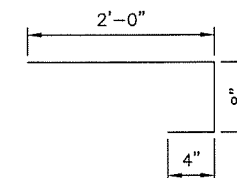
180° HOOK

AT2 #5 X 6'-5"
AT3 #5 X 13'-9" AVG.
AT4 #5 X 4'-2" AVG.



180° HOO (TYP.)

AT1 #5 X 21'-4" AVG.



UD1 #4 X 3'-0"

BAR LIST-SUPERSTRUCTURE					
MARK	NO.	SIZE	FORM	LENGTH	LENGTH VARIATION
EPOXY COATED					
AB1	194	#5	STR.	20'-2" AVG.	18'-8" TO 21'-8"
AB2	33	#5	STR.	10'-10" AVG.	1'-8" TO 20'-0"
AD1	2	#5	BNT.	18'-6"	
AD2	2	#5	BNT.	28'-10"	
AT1	194	#5	BNT.	21'-4" AVG.	19'-10" TO 22'-10"
AT2	412	#5	BNT.	6'-5"	
AT3	24	#5	BNT.	13'-9" AVG.	6'-11" TO 20'-7"
③ AT4	18	#5	BNT.	4'-2" AVG.	2'-2" TO 6'-2"
AS	24	#4	BNT.	5'-10"	
④ EB1	28	#5	STR.	104'-0" AVG.	102'-0" TO 106'-0"
FS2	188	#5	BNT.	7'-4"	
⑤ ET1	24	#4	STR.	103'-0" AVG.	101'-0" TO 105'-0"
ET2	21	#6	STR.	40'-0"	
UD1	24	#4	BNT.	3'-0"	

③ INCLUDES 2 SETS OF 9 BARS

④ LENGTH INCLUDES TWO 2'-6" LAP SPLICES (LAP SPLICES SHALL BE STAGGERED)

⑤ LENGTH INCLUDES TWO 2'-0" LAP SPLICES (LAP SPLICES SHALL BE STAGGERED)

DESIGN	SJN	01/09	N-1ST RAMP OVER US75 SUPERSTRUCTURE DETAILS (SHEET NO. 9 OF 10)	TULSA COUNTY
DRAWN	LCH	01/09		
CHECKED	SAL	01/09		
APPROVED				
SQUAD	BKJ			
STATE JOB PIECE NO. 28879(04)			SHEET NO. 15	

DETAILS OF BENT REINFORCEMENT