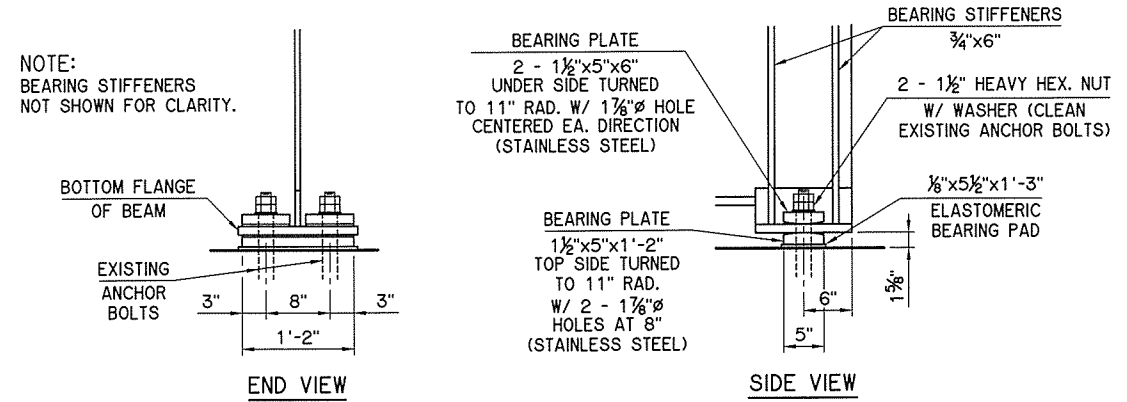
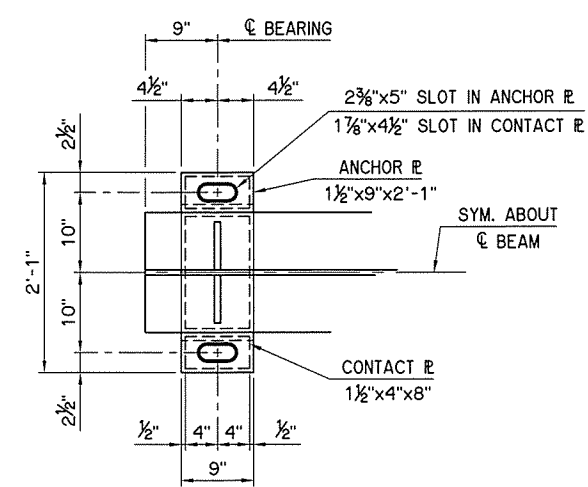


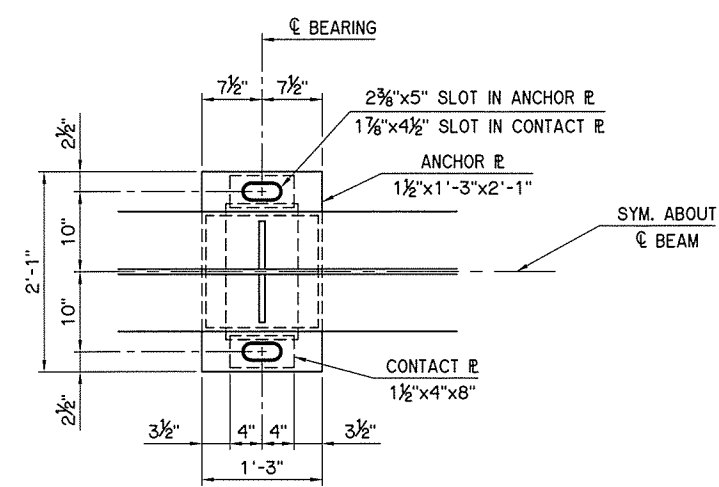
REV. NO.	REVISIONS DESCRIPTION	DATE



FIXED BEARING DETAILS
ABUTMENT NO. 2

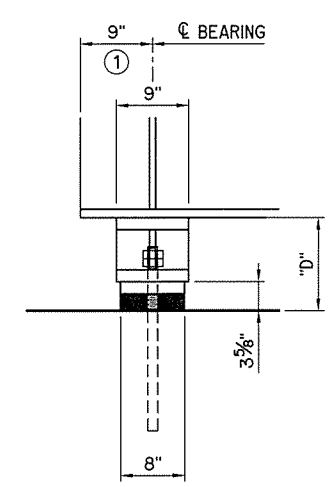


PLAN VIEW
ABUTMENT NO. 1

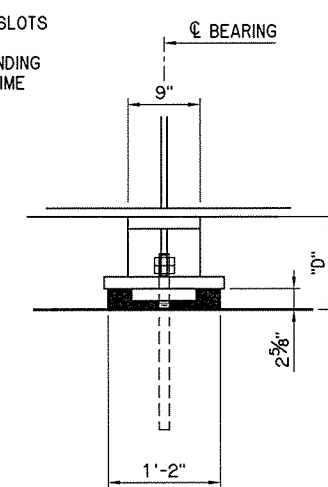


PLAN VIEW
PIER

① CENTER ANCHOR BOLTS IN SLOTS DURING SETTING OF BEAMS. DIMENSION MAY VARY DEPENDING ON TEMPERATURE AT THE TIME OF BEAM SETTING.

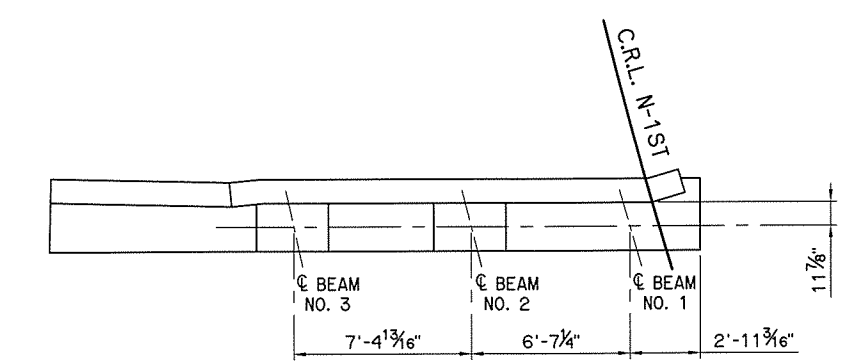


SIDE VIEW
ABUTMENT NO. 1

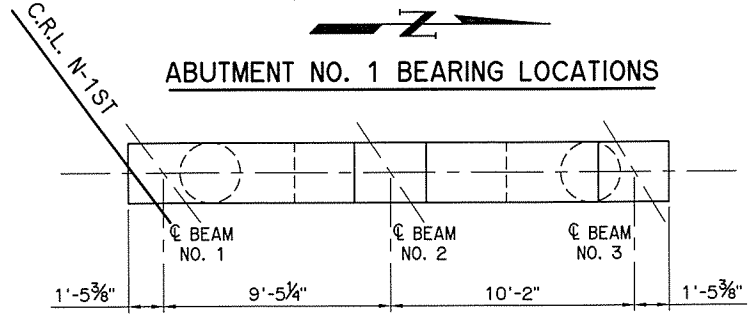


SIDE VIEW
PIER

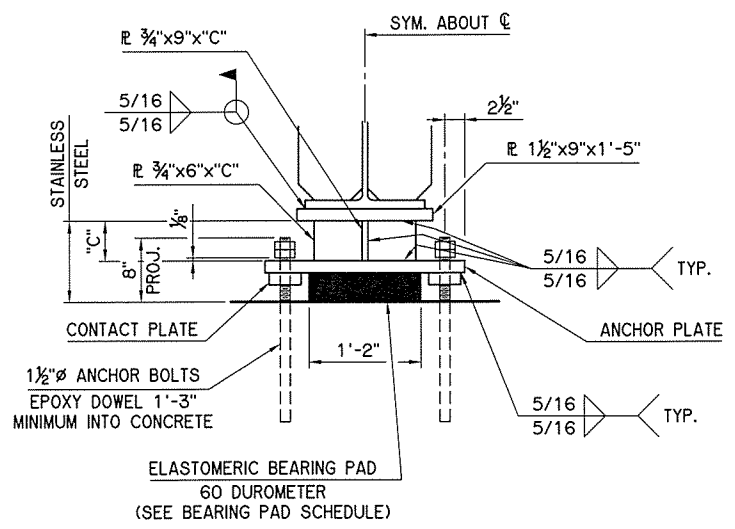
EXPANSION BEARING DETAILS



ABUTMENT NO. 1 BEARING LOCATIONS



PIER NO. 1 BEARING LOCATIONS

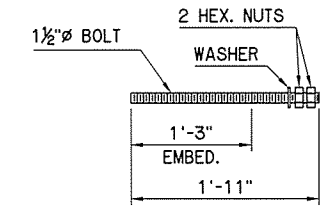


END VIEW
ABUTMENT NO. 1 AND PIER

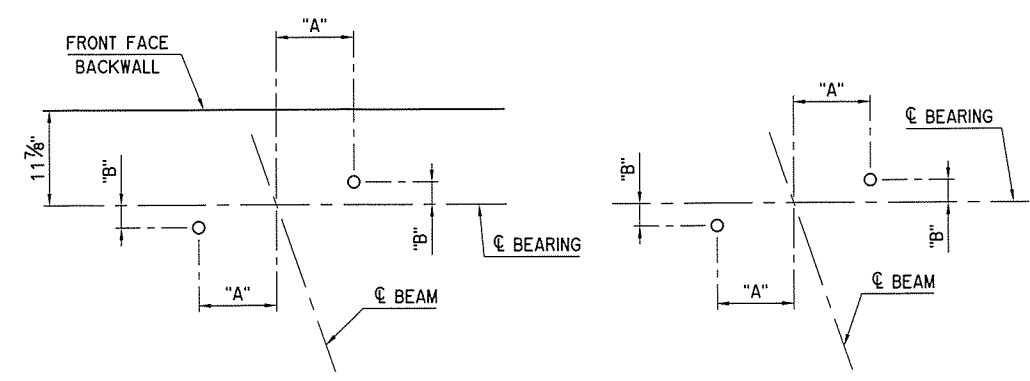
LOCATION	ANCHOR BOLT LOCATION SCHEDULE			
	ABUTMENT NO. 1		PIER	
	"A"	"B"	"A"	"B"
BEAM 1	9 5/8"	2 1 3/16"	8 1/8"	5 1 5/16"
BEAM 2	9 1 1/8"	2 1/2"	8 5/8"	5 5/8"
BEAM 3	9 3/4"	2 1/8"	8 3/8"	5 3/8"

LOCATION	BEARING PAD SCHEDULE			
	SIZE (T x L x W)	COVER LAYER	INNER LAYER	LAMINATE PLATES
ABUTMENT NO. 1	3 5/8" x 8" x 1'-2"	2 - 1/4"	6 - 3/8"	7 - 1/8"
PIER	2 5/8" x 1'-2" x 1'-2"	2 - 1/4"	4 - 3/8"	5 - 1/8"

DIMENSION	ABUTMENT NO. 1			PIER		
	BEAM 1	BEAM 2	BEAM 3	BEAM 1	BEAM 2	BEAM 3
"C"	4 3/4"	5"	5"	5 7/8"	6 5/8"	6 3/4"
"D"	11 3/8"	11 3/8"	11 1/8"	11 1/2"	12 1/4"	12 3/8"



ANCHOR BOLT DETAIL



ANCHOR BOLT LAYOUT

N-1ST RAMP OVER U.S. 75 TULSA COUNTY

SUPERSTRUCTURE DETAILS
SHEET 7 OF 10
BEARING DETAILS AND ANCHOR BOLT LAYOUT

Design	JNS
Detail	HEJ
Check	JNS

WHITE ENGINEERING ASSOCIATES

STATE OF OKLAHOMA DEPARTMENT OF TRANSPORTATION

JOB PIECE NO. 28879(O4) SHEET NO. 13

I:\Active\1445\Drawings\Structural\13 Super Dtls 7of10.dwg, 5/12/2016 10:11:02 AM, Howard