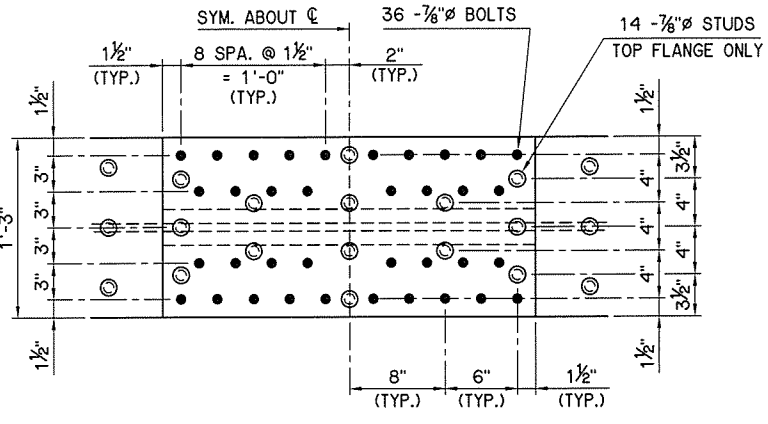
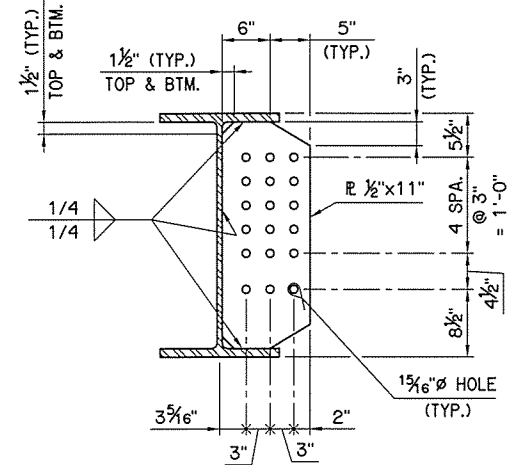


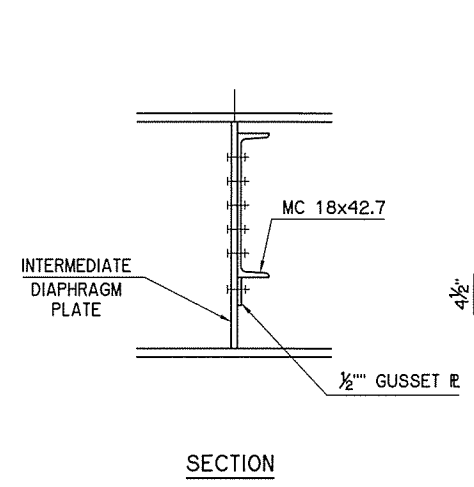
REV. NO.	REVISIONS DESCRIPTION	DATE



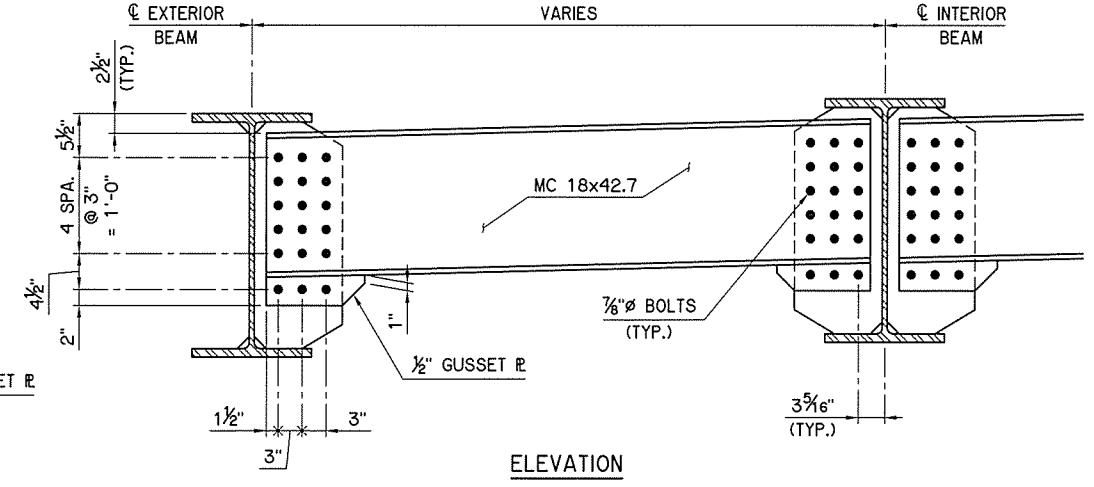
TOP & BOTTOM FLANGE PLAN



INTERMEDIATE DIAPHRAGM PLATE  
OMIT R ON OUTSIDE FACE OF EXTERIOR BEAMS

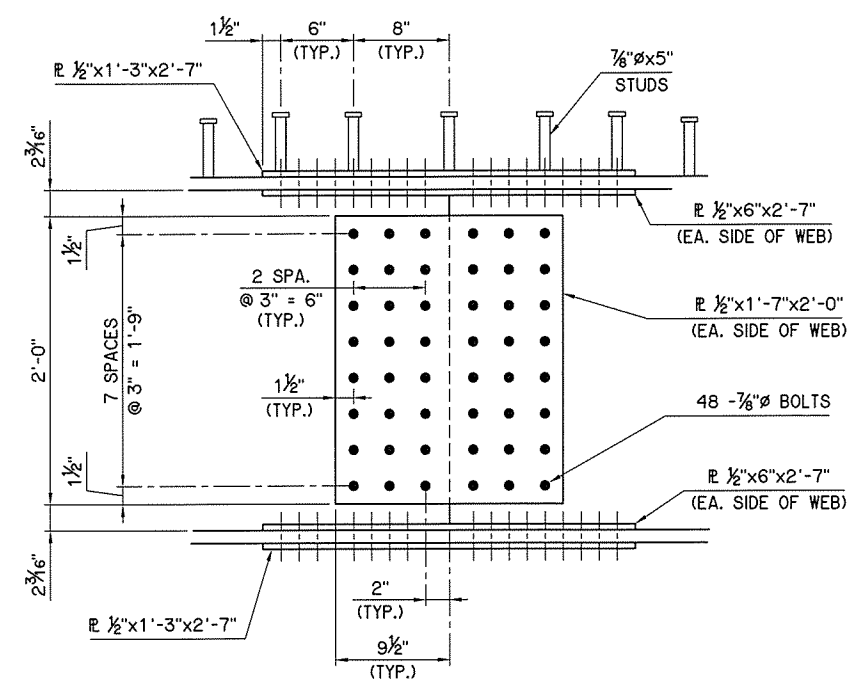


SECTION

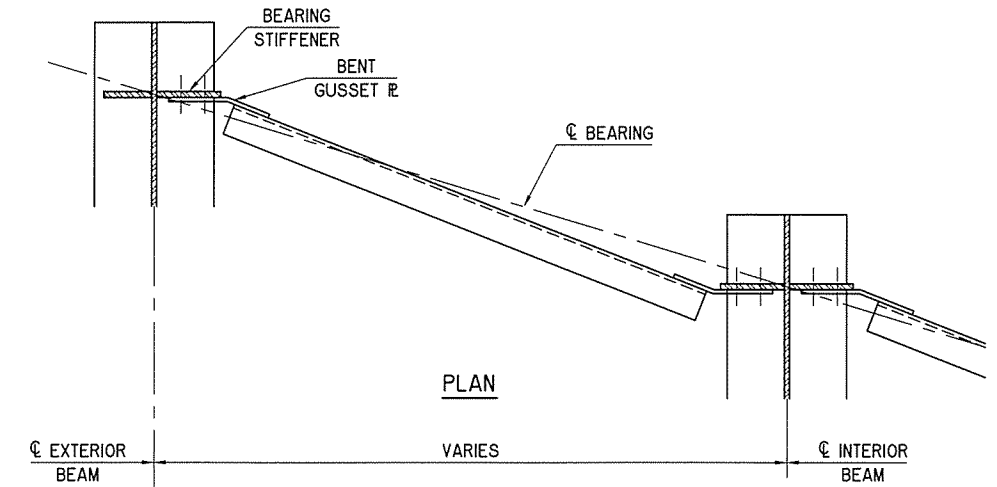


INTERMEDIATE DIAPHRAGM

ELEVATION



WEB ELEVATION

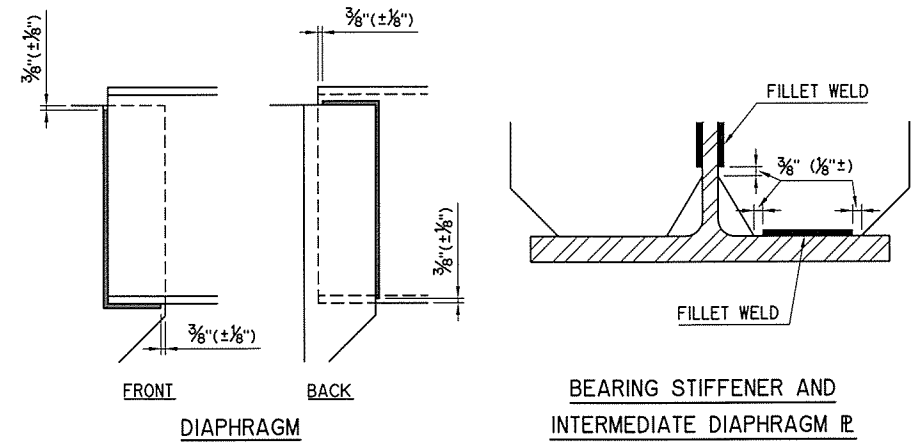


PLAN

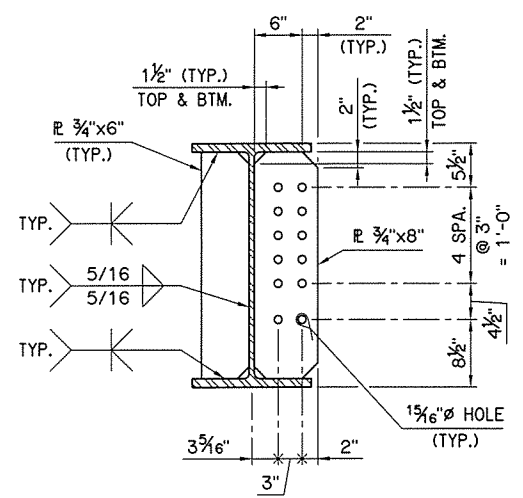
ABUTMENT AND PIER DIAPHRAGM

**FIELD SPLICE DETAILS**

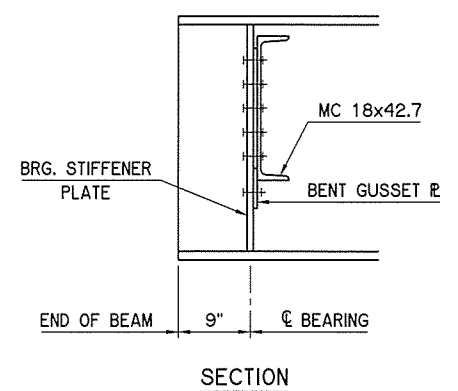
120 - 7/8" Ø BOLTS AND 14 - 7/8" Ø x 5" STUDS REQUIRED AT EACH FIELD SPLICE



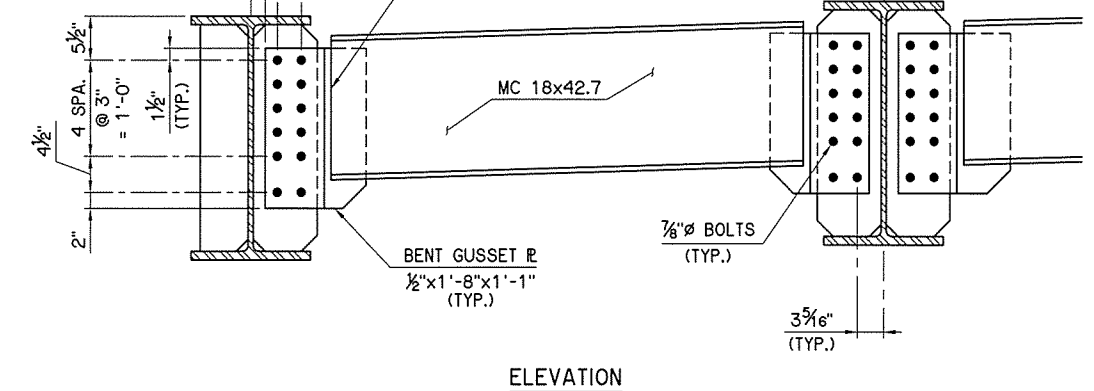
WELD TERMINATION DETAILS



BEARING STIFFENER PLATE  
OMIT HOLES IN STIFFENER R WHERE NO DIAPHRAGM CONNECTION IS REQUIRED



SECTION



ELEVATION

ABUTMENT AND PIER DIAPHRAGM

N-1ST RAMP OVER U.S. 75		TULSA COUNTY		Design	JNS
SUPERSTRUCTURE DETAILS				Detail	HEJ
				Check	JNS
SHEET 6 OF 10 FIELD SPLICE AND DIAPHRAGM DETAILS				WHITE ENGINEERING ASSOCIATES	
				STATE OF OKLAHOMA	
JOB PIECE NO. 28879(04)		SHEET NO. 12			

I:\Active\1445\Drawings\Structural\12 Super Dits 6 of 10.dwg, 5/12/2016 10:10:41 AM, Howard