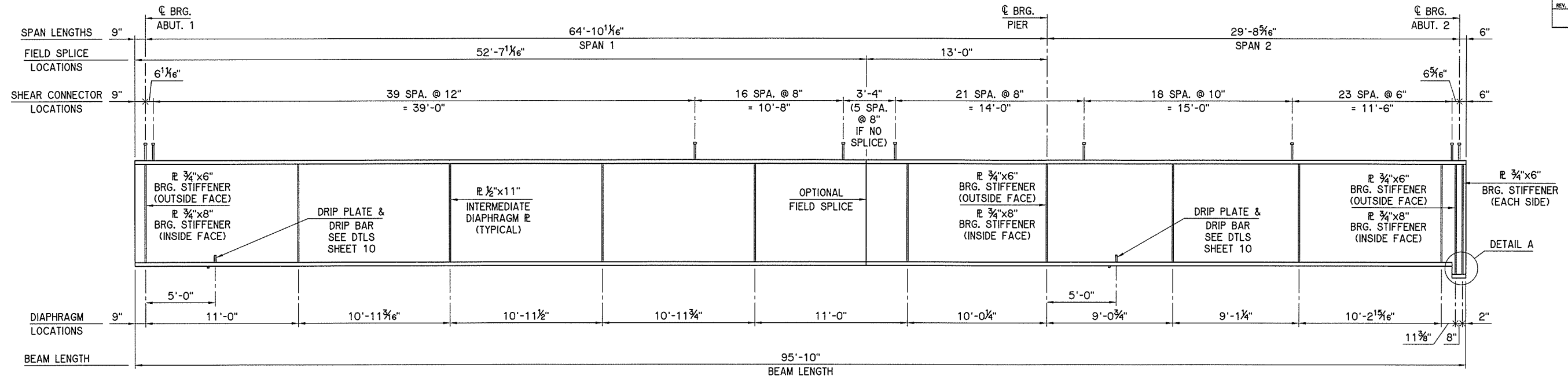
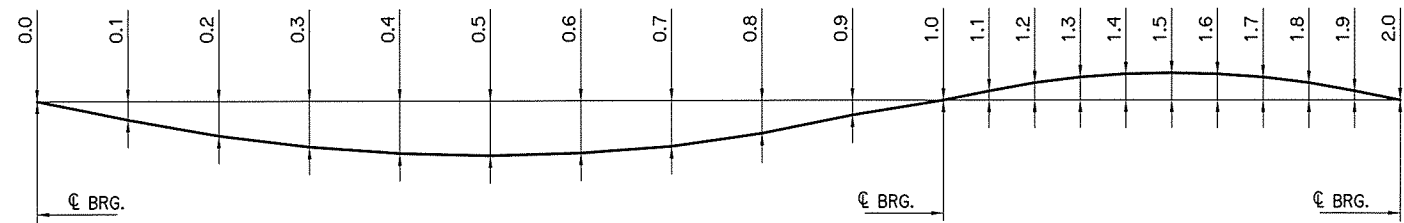


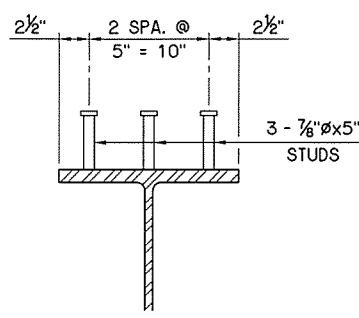
REV. NO.	DESCRIPTION	DATE



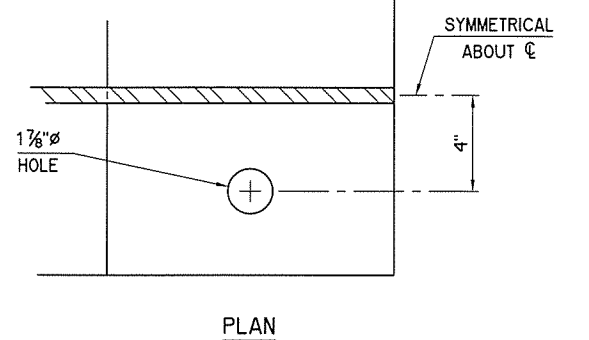
BEAM 3 ELEVATION
W30x173 ON 197.50' RADIUS



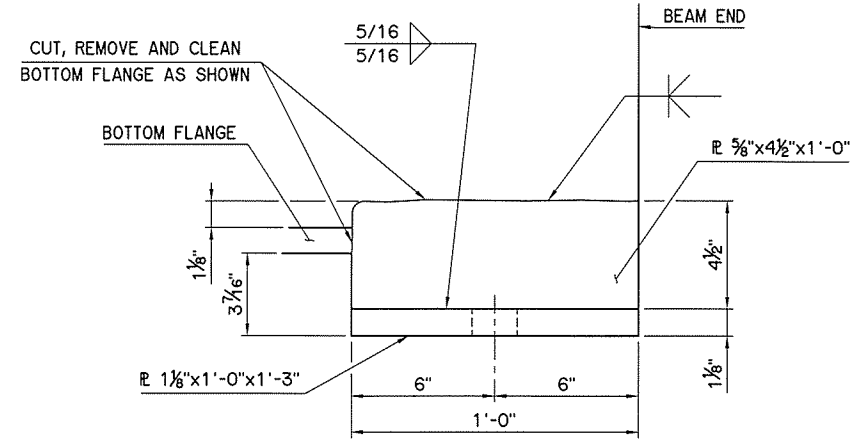
DEAD LOAD DEFLECTION DIAGRAM



SHEAR CONNECTOR DETAIL
TYPICAL ALL BEAMS



PLAN



ELEVATION

DETAIL A

STIFFENERS NOT SHOWN FOR CLARITY

DEAD LOAD DEFLECTION SCHEDULE																					
SPAN LOCATION	0.0	0.1	0.2	0.3	0.4	0.5	0.6	0.7	0.8	0.9	1.0	1.1	1.2	1.3	1.4	1.5	1.6	1.7	1.8	1.9	2.0
STEEL BEAM AND DIAPHRAGM ①																					
BEAM 1	0.00"	0.06"	0.11"	0.15"	0.17"	0.17"	0.15"	0.12"	0.08"	0.04"	0.00"	-0.01"	-0.01"	-0.01"	-0.01"	-0.01"	-0.01"	0.00"	0.00"	0.00"	0.00"
BEAM 2	0.00"	0.08"	0.14"	0.18"	0.20"	0.20"	0.18"	0.14"	0.09"	0.04"	0.00"	-0.01"	-0.02"	-0.02"	-0.01"	-0.01"	-0.01"	-0.01"	0.00"	0.00"	0.00"
BEAM 3	0.00"	0.09"	0.17"	0.22"	0.25"	0.25"	0.22"	0.17"	0.11"	0.05"	0.00"	-0.01"	-0.02"	-0.02"	-0.02"	-0.02"	-0.01"	-0.01"	-0.01"	0.00"	0.00"
DECK SLAB, HAUNCH, SIP FORMS, AND TRAFFIC RAIL ②																					
BEAM 1	0.00"	0.09"	0.16"	0.21"	0.24"	0.24"	0.21"	0.17"	0.11"	0.05"	0.00"	-0.01"	-0.02"	-0.02"	-0.02"	-0.01"	-0.01"	-0.01"	0.00"	0.00"	0.00"
BEAM 2	0.00"	0.10"	0.17"	0.23"	0.26"	0.26"	0.23"	0.18"	0.11"	0.05"	0.00"	-0.01"	-0.02"	-0.02"	-0.02"	-0.02"	-0.02"	-0.01"	-0.01"	0.00"	0.00"
BEAM 3	0.00"	0.13"	0.23"	0.31"	0.35"	0.35"	0.31"	0.24"	0.16"	0.07"	0.00"	-0.02"	-0.03"	-0.03"	-0.03"	-0.02"	-0.02"	-0.01"	-0.01"	0.00"	0.00"

FOR BLOCKING DIAGRAM SEE SHEET 8.

FOR BEAM END DETAIL, SEE SHEET 10.

FOR OPTIONAL FIELD SPLICE DETAILS, SEE SHEET 12.

① THE STEEL DEFLECTIONS SHOWN AT THE TENTH POINTS ARE THE DEFLECTIONS DUE TO THE WEIGHT OF THE BEAM + DIAPHRAGMS.

② THE DEAD LOAD DEFLECTION SHOWN AT THE TENTH POINTS ARE THE DEFLECTIONS DUE TO DECK SLAB + HAUNCH + SIP FORMS + TRAFFIC RAIL. IT DOES NOT INCLUDE THE BEAM WEIGHT, DIAPHRAGMS OR FUTURE WEARING SURFACE.

N-1ST RAMP OVER U.S. 75		TULSA COUNTY	
Design	JNS	Detail	HEJ
Check	JNS	Check	JNS
STATE OF OKLAHOMA DEPARTMENT OF TRANSPORTATION SUPERSTRUCTURE DETAILS SHEET 5 OF 10 BEAM 3, DEFLECTION DIAGRAM, AND DETAILS			
JOB PIECE NO.	28879(04)	SHEET NO.	11

I:\Active\1445\Drawings\Structural\11 Super Dtls 5of10.dwg, 5/12/2016 10:10:21 AM, Howard