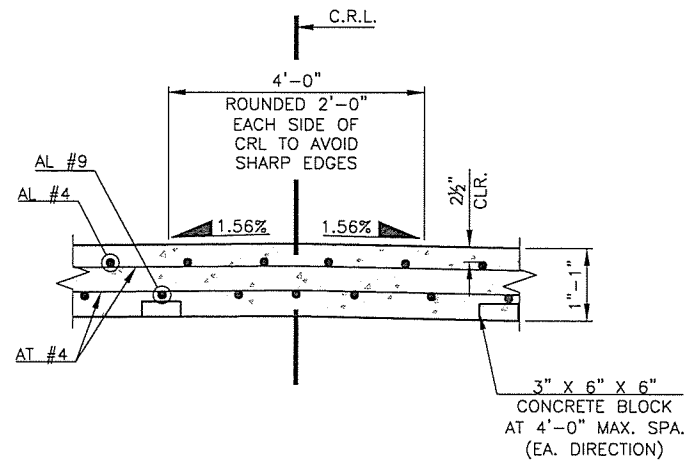
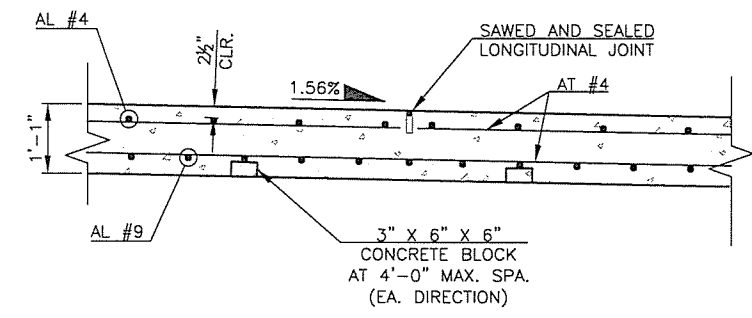


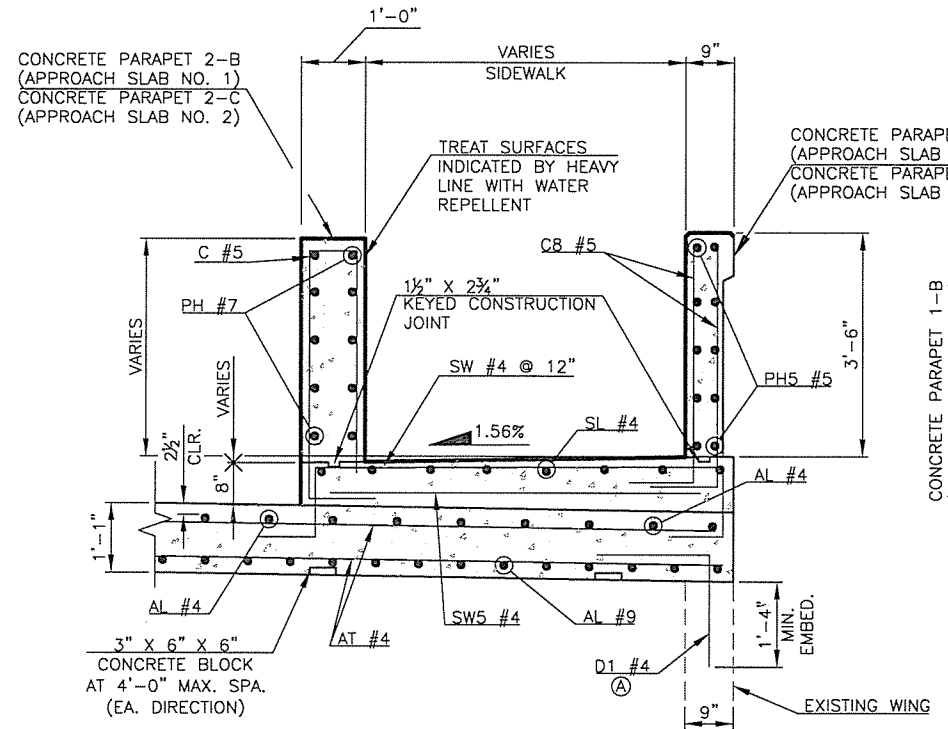
SECTION A



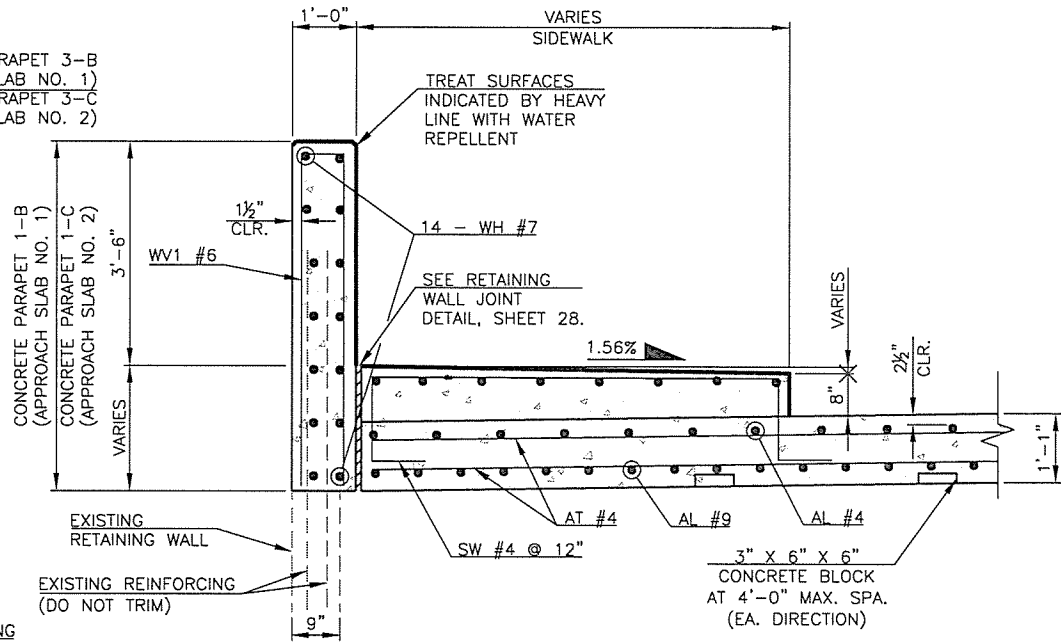
SECTION B



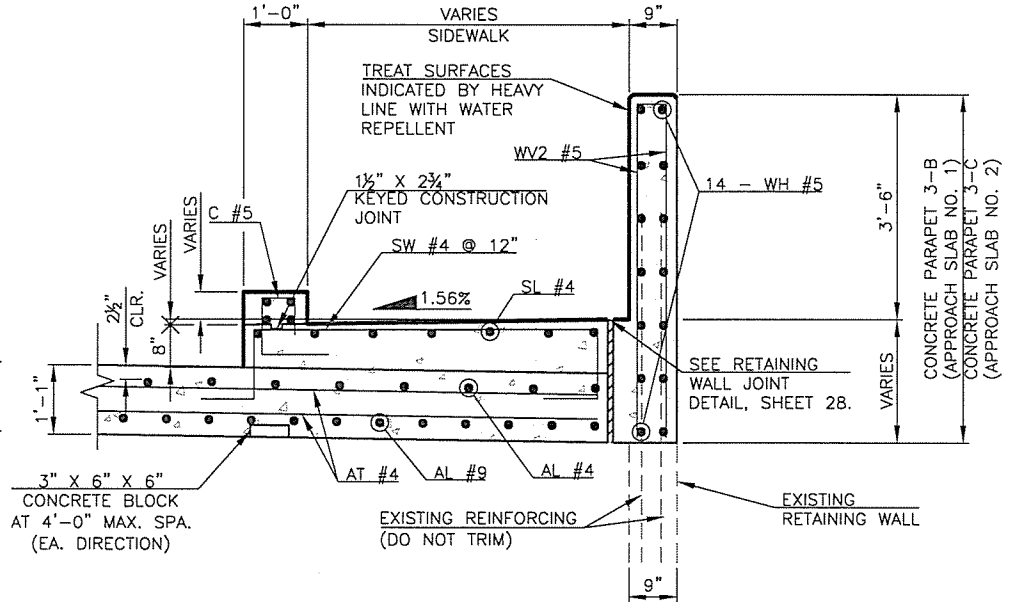
SECTION C



SECTION D



SECTION E



SECTION F

NOTE:
SIDEWALK CLEAR COVER = 2"
CONCRETE PARAPET CLEAR COVER = 1 1/2"

(A) DRILL AND EPOXY D1 BARS INTO EXISTING ABUTMENT BACKWALL AND WING ACCORDING TO SECTION 509.04(D) OF THE STANDARD SPECIFICATIONS. ALL COST OF INSTALLING DOWELS, INCLUDING LABOR, MATERIALS, AND INCIDENTALS NECESSARY TO DO THE WORK, SHALL BE INCLUDED IN OTHER ITEMS OF WORK.

NOTE:
FOR ADDITIONAL DETAILS OF EXPANSION JOINT AT ABUTMENT, INCLUDING W AND SW BARS CAST INTO APPROACH SLAB, SEE SHEET 24.

DESIGN	B.J.K.	4TH OVER 1-444	TULSA COUNTY
DRAWN	M.R.S.	APPROACH SLAB DETAILS (SHEET 1 OF 2)	
CHECKED	B.J.K., J.W.H.		
APPROV.	T.A.C.	JOB PIECE NO. 28868(04)	SHEET NO. 27
SQUAD	CEC		