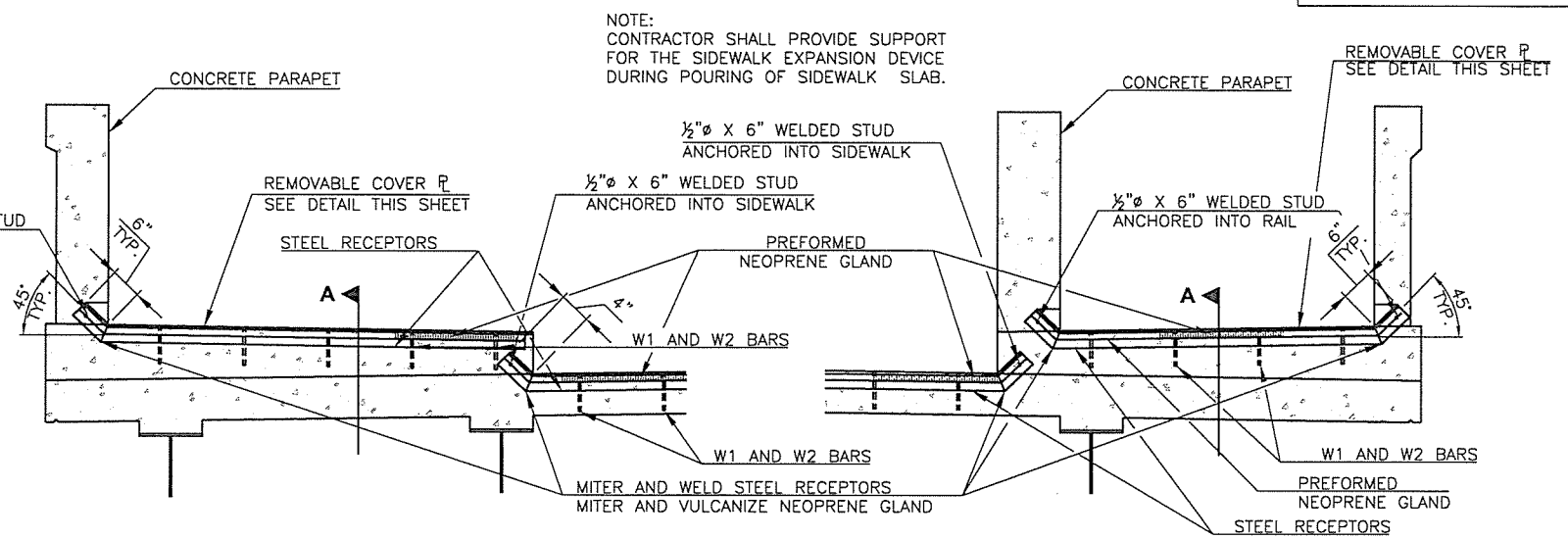
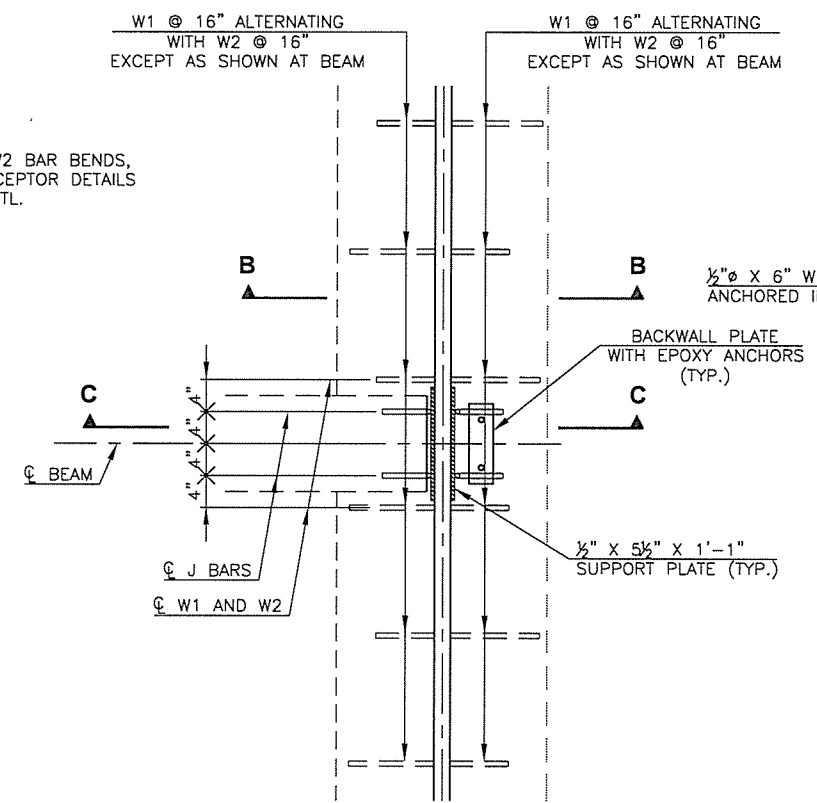


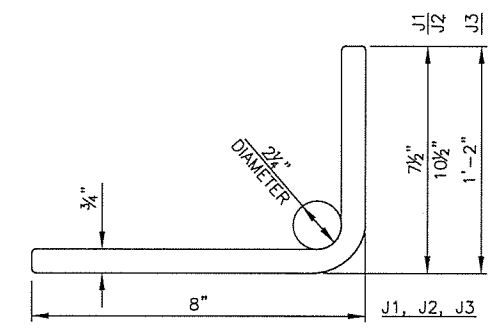
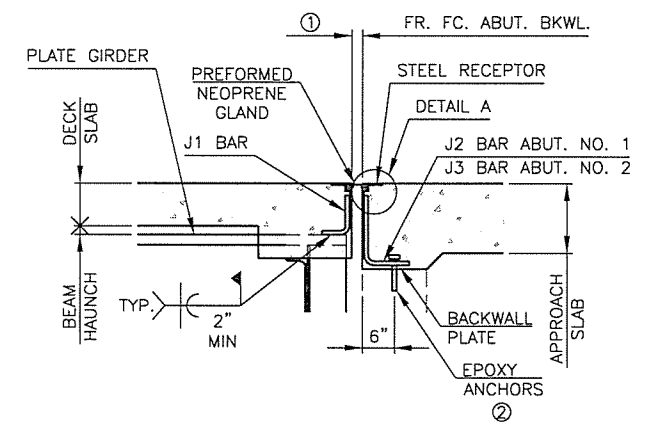
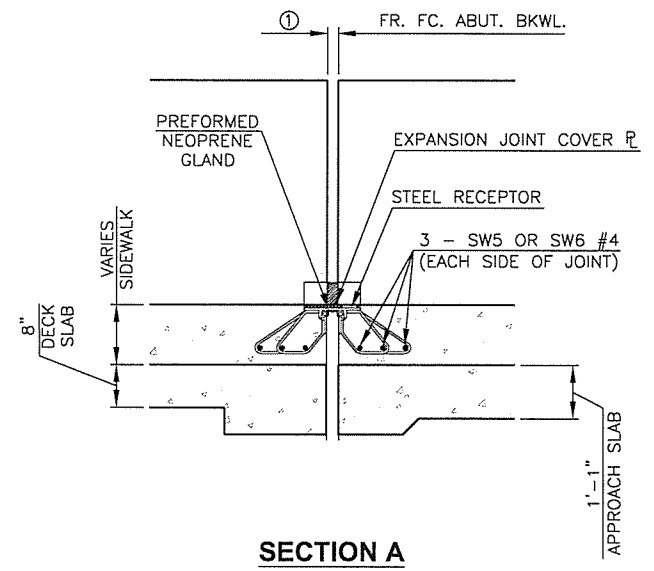
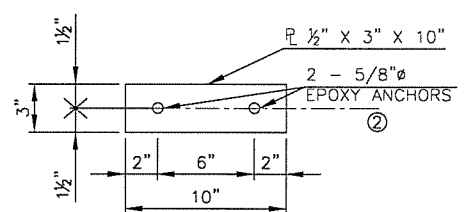
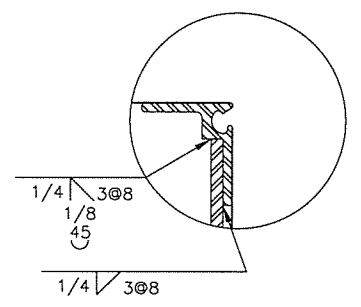
W1 @ 16" ALTERNATING WITH W2 @ 16" EXCEPT AS SHOWN AT BEAM

W1 @ 16" ALTERNATING WITH W2 @ 16" EXCEPT AS SHOWN AT BEAM

NOTE: FOR W1 AND W2 BAR BENDS, AND STEEL RECEPTOR DETAILS SEE STD. EJ-DTL.

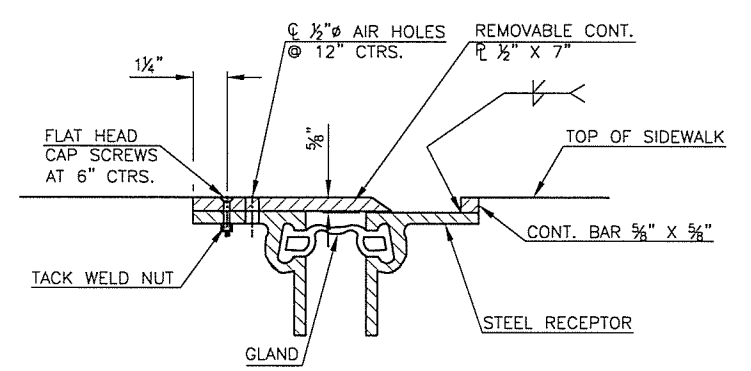
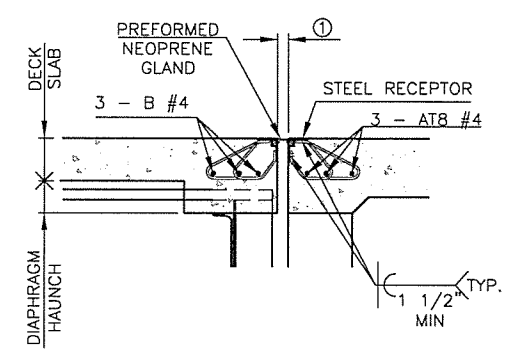


NOTE: CONTRACTOR SHALL PROVIDE SUPPORT FOR THE SIDEWALK EXPANSION DEVICE DURING POURING OF SIDEWALK SLAB.



① EXPANSION JOINT SETTING SCHEDULE

EXP. JOINT OPENING	TEMPERATURE	
	ABUTMENT	
2 3/8"	0'	
2 1/4"	17'	
2 1/2"	38'	
2"	60'	
1 7/8"	82'	
1 3/4"	103'	
1 5/8"	120'	



② USE HILTI HAS THREADED RODS WITH HIT-HY 200 SAFE SET SYSTEM, OR APPROVED EQUALS. ALL COSTS OF THREADED RODS, EPOXY, MATERIALS, EQUIPMENT, LABOR AND INCIDENTALS NECESSARY TO ATTACH THE BACKWALL PLATE SHALL BE INCLUDED IN THE UNIT PRICE BID FOR "SEALED EXPANSION JOINT".

NOTE: FOR SEALED EXPANSION JOINT NOTES SEE ODOT BRIDGE STANDARD EJ-DTL.

NOTE: ALL COST OF NEOPRENE GLAND, SUPPORT PLATES, BACKWALL PLATES, STEEL RECEPTORS, J1, J2, AND J3 SUPPORT BARS, W1 AND W2 ANCHOR BARS, WELDING EQUIPMENT, LABOR AND ANY OTHER INCIDENTALS TO BE INCLUDED IN THE CONTRACT UNIT PRICE OF "SEALED EXPANSION JOINT".