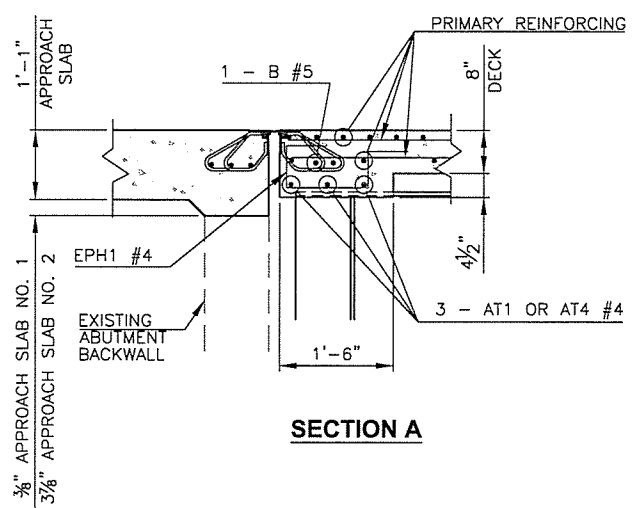
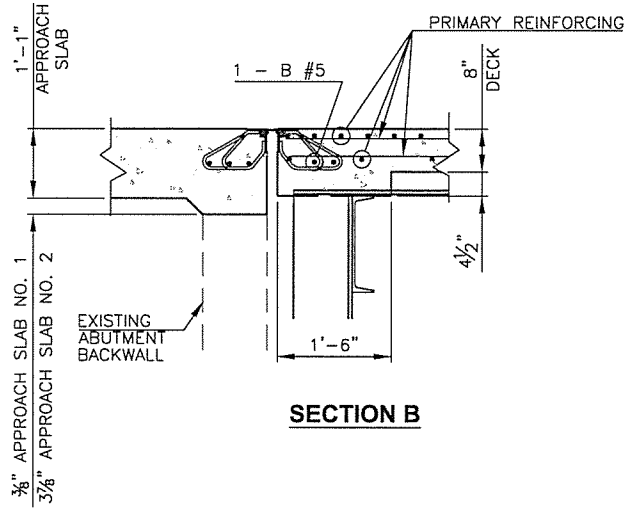


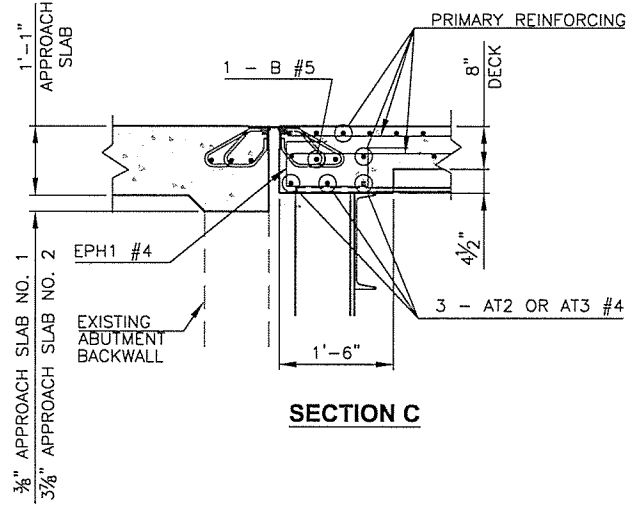
CEC // TRANSPORTATION		
DESCRIPTION	REVISIONS	DATE



SECTION A

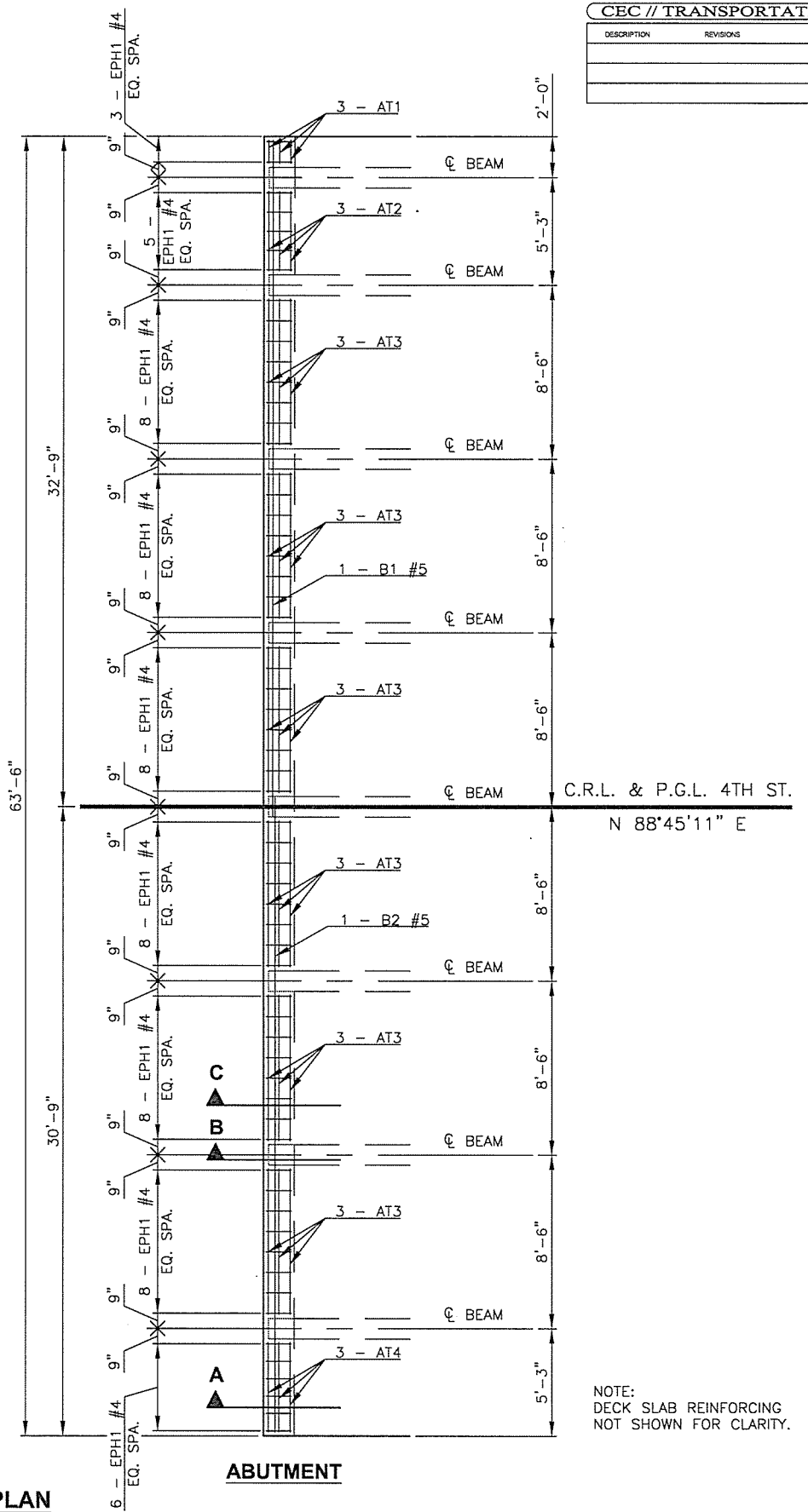


SECTION B



SECTION C

SLAB REINFORCING PLAN



ABUTMENT

NOTE:
DECK SLAB REINFORCING
NOT SHOWN FOR CLARITY.

DESIGN	B.J.K.	4TH OVER 1-444	TULSA COUNTY
DRAWN	J.F.R.		
CHECKED	B.J.K., J.W.H.		
APPROV.	T.A.C.		
SQUAD	CEC	JOB PIECE NO. 28868(04)	SHEET NO. 22

**ADDITIONAL SLAB
REINFORCING DETAILS**