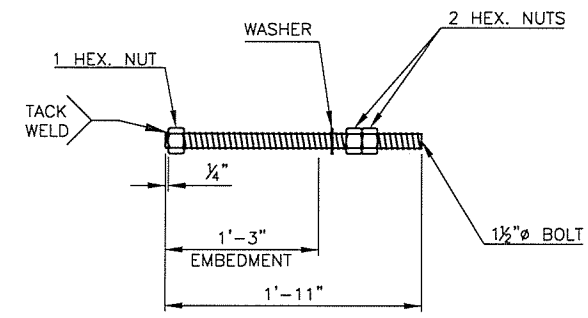
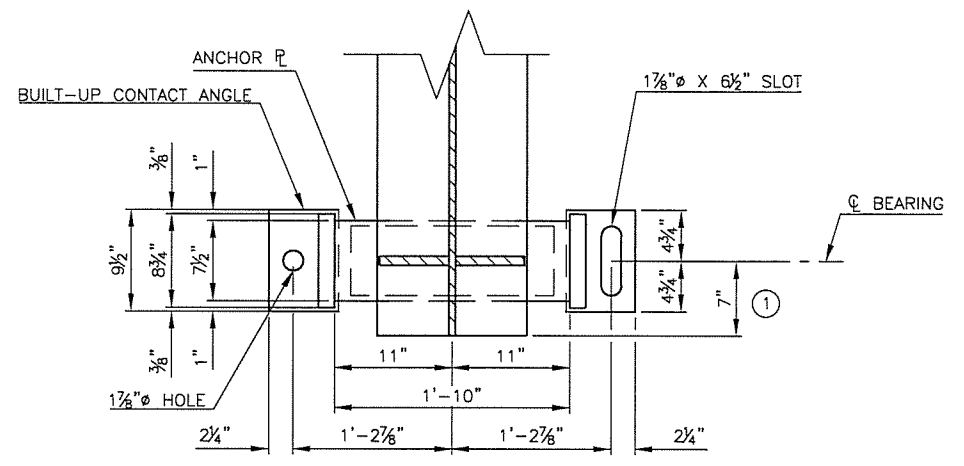


ABUTMENT NO. 1 ANCHOR BOLT DETAIL

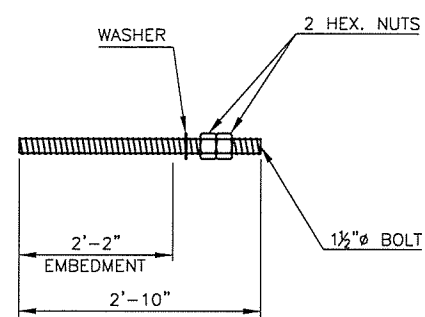


PIER ANCHOR BOLT DETAIL

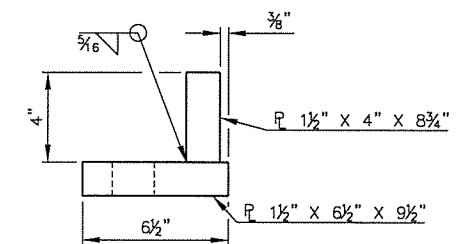


BEARING PLAN

① CENTER ANCHOR BOLTS IN SLOTS DURING SETTING OF BEAMS. DIMENSION MAY VARY AT EXPANSION BEARINGS DEPENDING ON TEMPERATURE AT TIME OF BEAM SETTING.

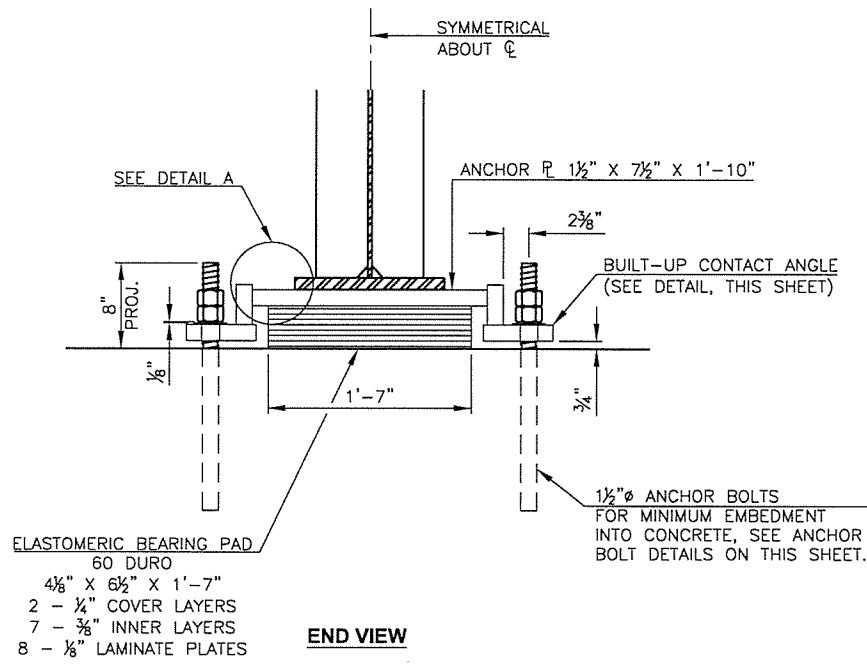


ABUTMENT NO. 2 ANCHOR BOLT DETAIL

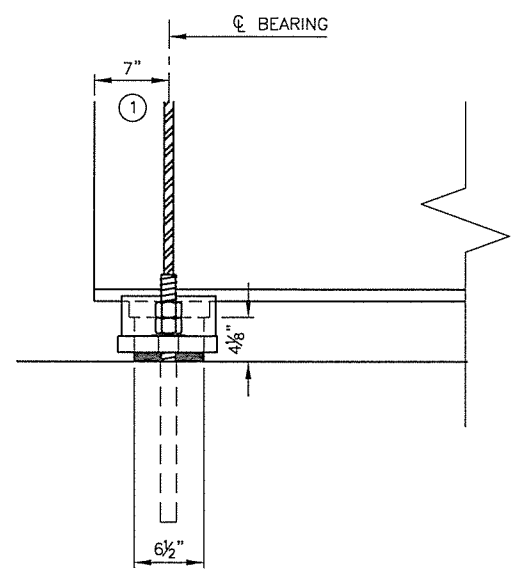


BUILT-UP CONTACT ANGLE DETAIL

DO NOT BOND BEARING PAD TO THE ANCHOR PLATE.



END VIEW



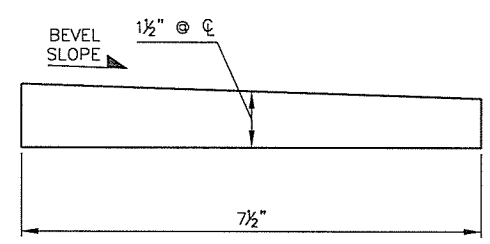
SIDE VIEW

ELASTOMERIC BEARING PAD
60 DURO
4 1/8" X 6 1/2" X 1'-7"
2 - 1/4" COVER LAYERS
7 - 3/8" INNER LAYERS
8 - 1/8" LAMINATE PLATES

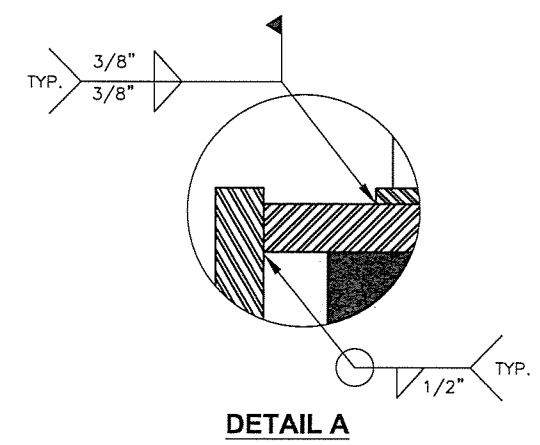
BEARING DETAILS
(ABUTMENT BEARING SHOWN, PIER BEARING SIM.)

NOTE:
PAINT THICKEST
EDGE RED. RED EDGE FACES
ABUTMENT NO. 1.

BEVEL SLOPE TABLE	
LOCATION	BEVEL SLOPE
ABUT. NO. 1	0%
PIER	1.98%
ABUT. NO. 2	4.40%



BEVELED ANCHOR PLATE DETAIL



DETAIL A

DESIGN	B.J.K.	4TH OVER I-444	TULSA COUNTY
DRAWN	R.A.P. J.F.R.		
CHECKED	B.J.K. J.W.H.		
APPROV.	T.A.C.		
SQUAD	CEC	JOB PIECE NO. 28868(04)	SHEET NO. 20

BEARING DETAILS