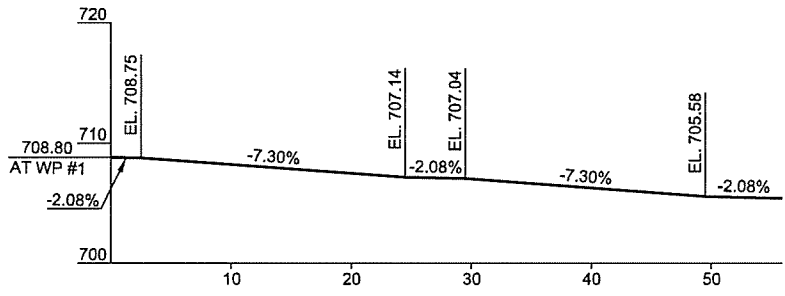
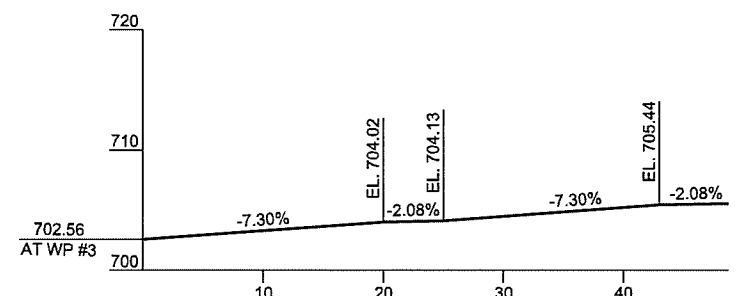


PLAN

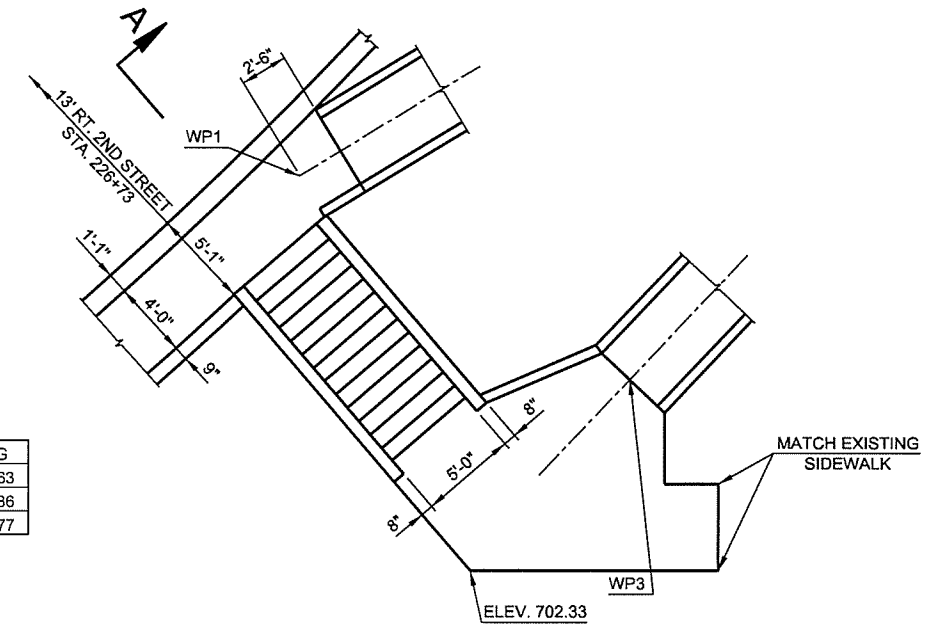


PROFILE  
HC RAMP 1

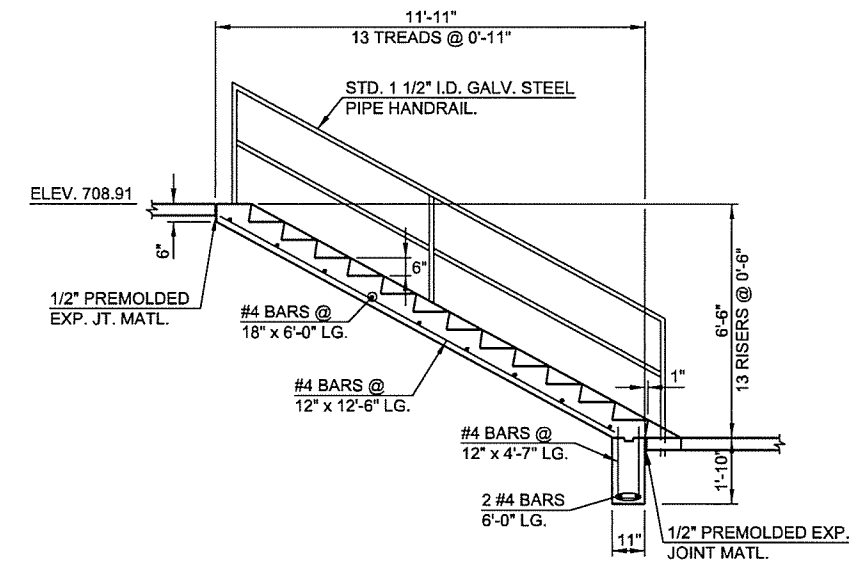


PROFILE  
HC RAMP 2

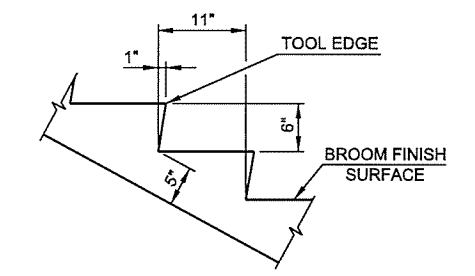
	STA.	OFFSET	NORTHING	EASTING
WP1	226+79.33	16.08' RT	427679.10	2564890.63
WP2	227+41.67	43.43' RT	427718.35	2564954.86
WP3	226+83.44	35.66' RT	427668.56	2564907.77



5'-0" WIDE REINF. CONC. STAIRS  
RT. 2ND STREET STA. 226+73



SECTION A-A



DETAIL OF TREADS & RISERS

SUMMARY OF QUANTITIES		
DESCRIPTION	UNIT	TOTAL
① EARTHWORK	L.SUM	1
TEMPORARY SILT FENCE	LF	60
SOLID SLAB SODDING	SY	142
CLASS A CONCRETE	CY	12.8
MSE RETAINING WALL	SY	21.8
REINFORCING STEEL	LB	846
② REMOVAL OF STRUCTURES & OBSTRUCTIONS	L.SUM	1
1 1/2" PIPE RAILING	LF	200.7

- ① INCLUDES ALL WORK INCLUDING EXCAVATION, EMBANKMENT, COMPACTION AND OTHER INCIDENTAL WORK, TOOLS AND LABOR FOR THE STAIRS AND HANDICAP RAMPS.
- ② FOR REMOVAL OF EXISTING STAIRS AND SIDEWALK

- NOTES:
- COST OF STAIRS AND HANDICAP RAMP TO BE INCLUDED IN THE ITEMS CLASS A CONCRETE AND REINFORCING STEEL.
  - SHOP DETAILS OF 1 1/2" PIPE HANDRAIL SHALL BE SUBMITTED TO THE ENGINEER FOR APPROVAL.
  - DETAILS AND DESIGN OF THE MSE RETAINING WALL SHALL BE PREPARED BY A LICENSED ENGINEER IN THE STATE OF OKLAHOMA. CONTRACTOR SHALL SUBMIT TO THE ENGINEER THE PROPOSED MSE WALL SYSTEM FOR APPROVAL PRIOR TO DESIGN AND DRAWINGS.

DESIGN	JWB	3-1-6
DRAWN	MRM	3-1-6
CHECKED	JSH	3-1-6
APPROVED		
SQUAD	TT	

N:\11399\200-11399-13001-05\CAD\SheetFiles\JP 28865 (04) -75-RD -Wheel Chair.1.dgn 6/7/2016