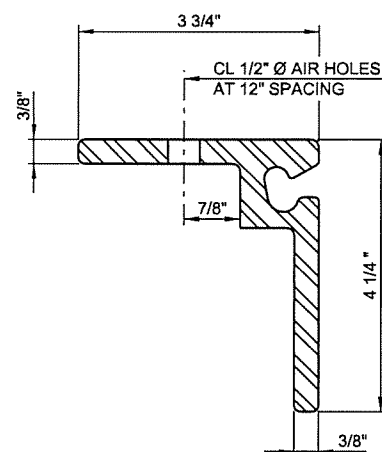
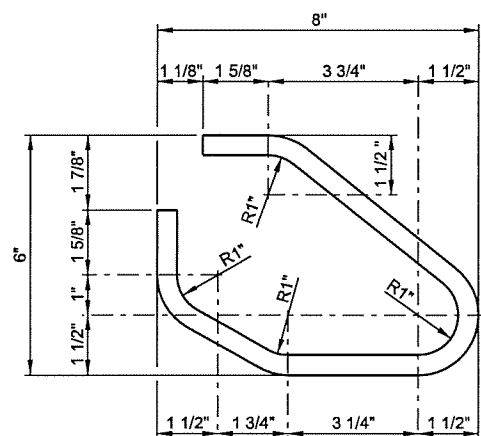


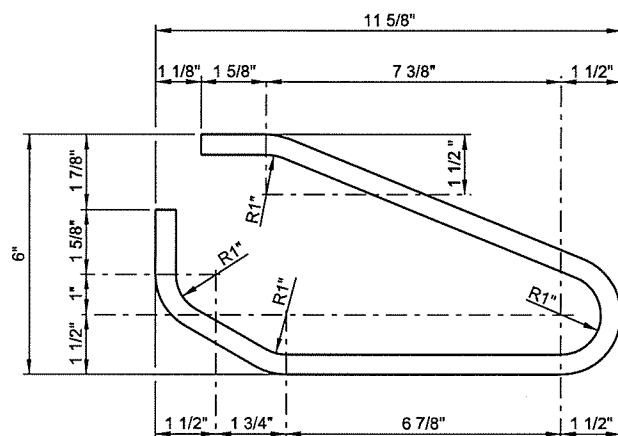
**L1 SUPPORT
BAR DETAIL**
1" DIA.



**D.S. BROWN
TYPE SSKO STEEL EXTRUSION
RECEPTOR DETAIL**

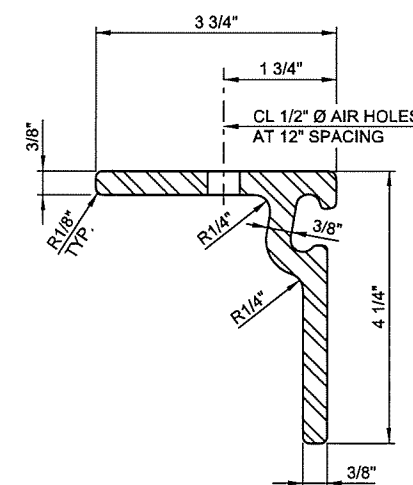


W1 ANCHOR BAR DETAIL



W2 ANCHOR BAR DETAIL

NOTE:
W1 AND W2 BARS SHALL BE
FABRICATED FROM W20
DEFORMED STEEL WIRE.



**WATSON BOWMAN AND ACME
TYPE Q STEEL EXTRUSION
RECEPTOR DETAIL**

SEALED EXPANSION JOINT NOTES

THE SEALED EXPANSION JOINT SHALL HAVE A TOTAL MOVEMENT RANGE OF 4" AND SEAL THE DECK TO PREVENT MOISTURE OR OTHER CONTAMINANTS FROM DESCENDING ONTO THE LOWER STRUCTURE COMPONENTS.

THE STEEL RECEPTOR PROVIDED SHALL EITHER BE THE WATSON, BOWMAN AND ACME TYPE Q STEEL EXTRUSION OR THE D.S. BROWN TYPE SSKO STEEL EXTRUSION RECEPTOR AS SHOWN ON THIS SHEET.

PAINT

TWO SHOP COATS, ONE IN INORGANIC ZINC RICH (IZ) PRIMER, THE OTHER IN INORGANIC ZINC RICH (IZ) INTERMEDIATE COAT, WILL BE APPLIED TO THE ENTIRE SURFACE OF THE STEEL RECEPTOR, SUPPORT PLATES, L SUPPORT BARS, AND W1 AND W2 ANCHOR BARS. THE PAINTING SHALL BE DONE IN ACCORDANCE WITH SECTION 730 OF THE STANDARD SPECIFICATIONS.

MATERIALS

STEEL RECEPTORS, SUPPORT PLATES, AND L SUPPORT BARS SHALL BE IN ACCORDANCE WITH AASHTO M270 (ASTM A709), GRADE 36, 50, 50W (CHARPY V-NOTCH TESTING NOT REQUIRED). W1 AND W2 ANCHOR BARS SHALL CONFORM TO AASHTO M225 (ASTM A 496). ALL BAR DIMENSIONS SHALL BE INCLUDED IN THE SHOP DRAWINGS.

WELDING OF STEEL RECEPTORS, SUPPORT PLATES, L SUPPORT BARS AND W1 AND W2 ANCHOR BARS SHALL BE IN ACCORDANCE WITH SUBSECTION 724.03 OF THE STANDARD SPECIFICATIONS. PREFORMED NEOPRENE GLAND LUBRICANT ADHESIVE SHALL BE IN ACCORDANCE WITH THE MANUFACTURER'S PUBLISHED LITERATURE.

FABRICATION OF JOINT

AT LOCATIONS WHERE JOINT IS SHOWN TO BE MITERED AT ANY ANGLE FOR TURN-UP AT TRAFFIC RAIL, THE MATERIAL SHALL BE SHOP SPLICED WITH HEAT VULCANIZING OR OTHER METHOD OF EQUAL EFFECTIVENESS AS RECOMMENDED BY THE LISTED JOINT MANUFACTURER OR APPROVED EQUAL AND APPROVED BY THE ENGINEER.

ANCHORAGE SYSTEM

THE CONTRACTOR SHALL USE AN ANCHORAGE SYSTEM THAT HAS BEEN APPROVED BY ODOT'S MATERIAL DIVISION. THE ANCHORAGE SYSTEM SHALL BE CAPABLE OF DEVELOPING THE FULL STRENGTH OF THE REINFORCING STEEL THAT IS TO BE ANCHORED. ANCHORAGES SHALL BE INSTALLED IN ACCORDANCE WITH THE MANUFACTURER'S SPECIFICATIONS FOR THE SYSTEM USED AND ODOT STANDARD SPECIFICATIONS SECTION 509.04(d)3. ALL COST OF ANCHORAGE ASSEMBLIES INCLUDING LABOR, MATERIALS, TOOLS, DRILLING AND INCIDENTALS NECESSARY TO COMPLETE THE WORK SHALL BE INCLUDED IN THE PRICE BID PER LINEAR FOOT OF "SEALED EXPANSION JOINT".

N:\11399\200-11399-13001-05\CAD\SheetFiles\JP 28865 (04) -71-BR.B-Exp.J1.2.dgn

6/7/2016

2ND STREET RAMP OVER I-444 - BRIDGE 'B'

DESIGN	JSH	3-16	OKLAHOMA DEPARTMENT OF TRANSPORTATION SEALED EXPANSION JOINT DETAILS SHEET 2 OF 2 STATE JOB NO. 28865(04) SHEET NO. 71 TULSA CO. 2ND STREET
DRAWN	MRM	3-16	
CHECKED	LWN	3-16	
APPROVED			
SQUAD	TT		