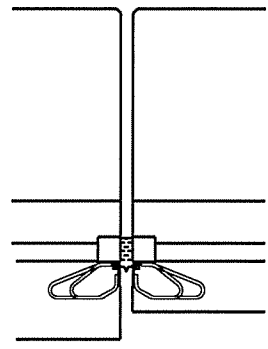
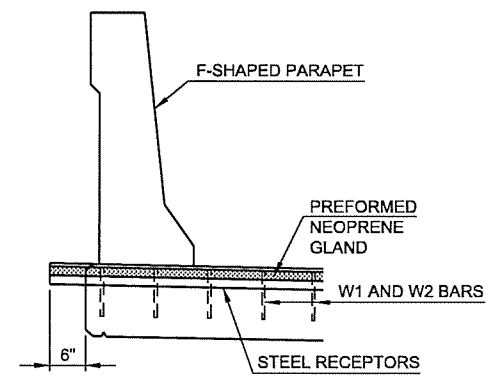


**SECTION AT F-SHAPED PARAPET**  
(PIERS NO. 3 AND 5 SOUTH SIDE OF DECK)

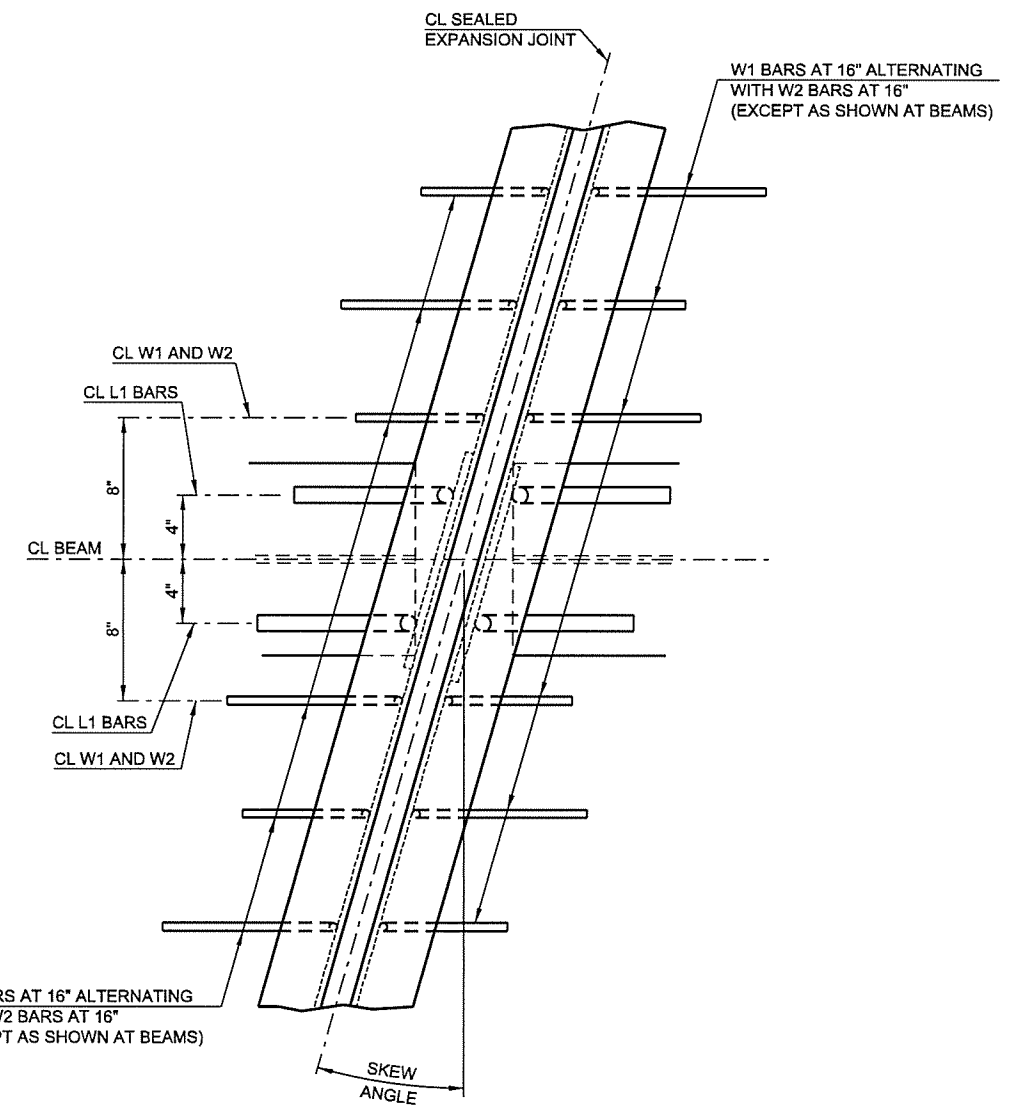


**ELEVATION OF EXPANSION JOINT**

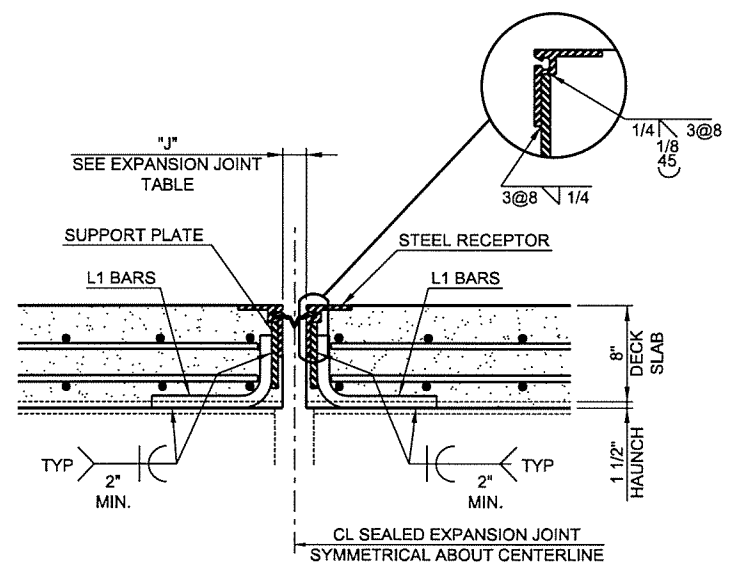


**SECTION AT F-SHAPED PARAPET**  
(PIERS NO. 3 AND 5 NORTH SIDE OF DECK)

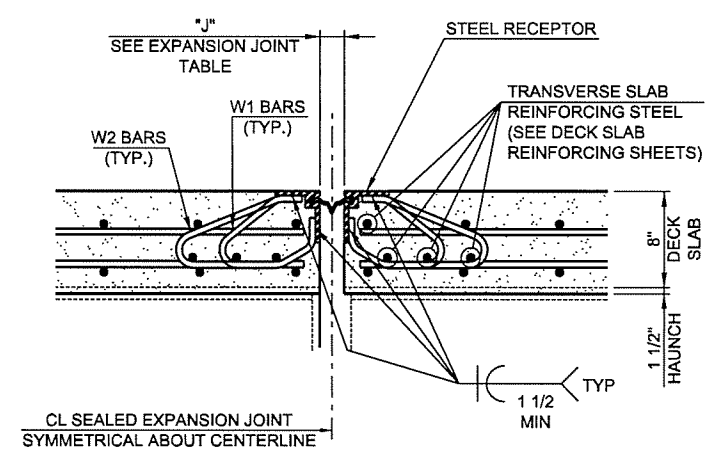
EXPANSION TABLE			
TEMPERATURE	PIER 3	PIER 5	JOINT OPENING "J"
-10°F	-	-	2 7/8"
0°F	-	-	2 3/4"
10°F	-	-	2 5/8"
20°F	-10°F	-	2 1/2"
30°F	7°F	-	2 3/8"
40°F	25°F	-	2 1/4"
50°F	42°F	-	2 1/8"
60°F	60°F	-	2"
70°F	78°F	-	1 7/8"
80°F	95°F	-	1 3/4"
90°F	113°F	-	1 5/8"
100°F	-	-	1 1/2"
110°F	-	-	1 3/8"



**PLAN OF SEALED EXPANSION JOINT**



**SECTION OF EXPANSION JOINT AT BEAMS**



**SECTION OF EXPANSION JOINT BETWEEN BEAMS**

NOTE:  
FOR BAR BENDS AND SUPPORT  
PLATE DETAILS SEE SHEET 71.

N:\11399\200-11399-13001-05\CAD\SheetFiles\JP 28865 (04) -70-BR-B-Exp-Jt.1.dgn 6/7/2016

DESIGN	JSH	3-16	<b>OKLAHOMA DEPARTMENT OF TRANSPORTATION</b>  SEALED EXPANSION JOINT DETAILS SHEET 1 OF 2 STATE JOB NO. 28865(04) SHEET NO. 70 TULSA CO. 2ND STREET
DRAWN	MRM	3-16	
CHECKED	LWN	3-16	
APPROVED			
SQUAD	TT		