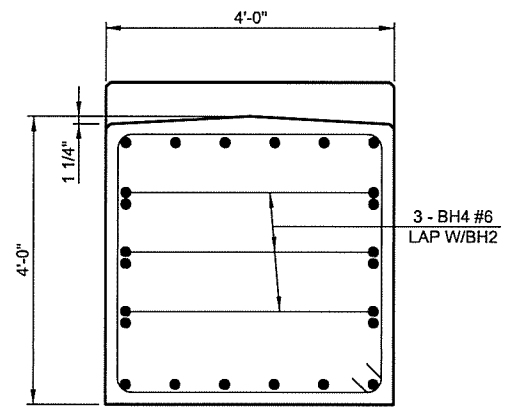
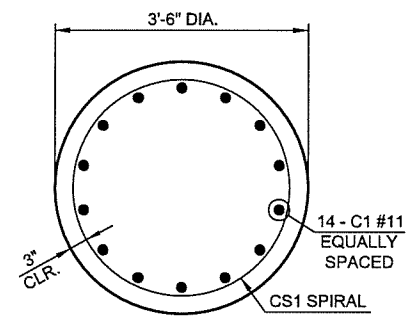


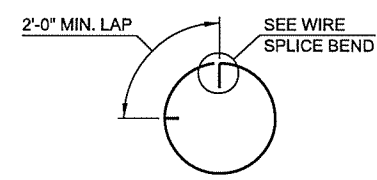
SECTION A-A



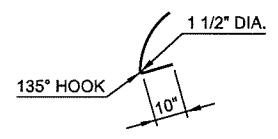
END SECTION



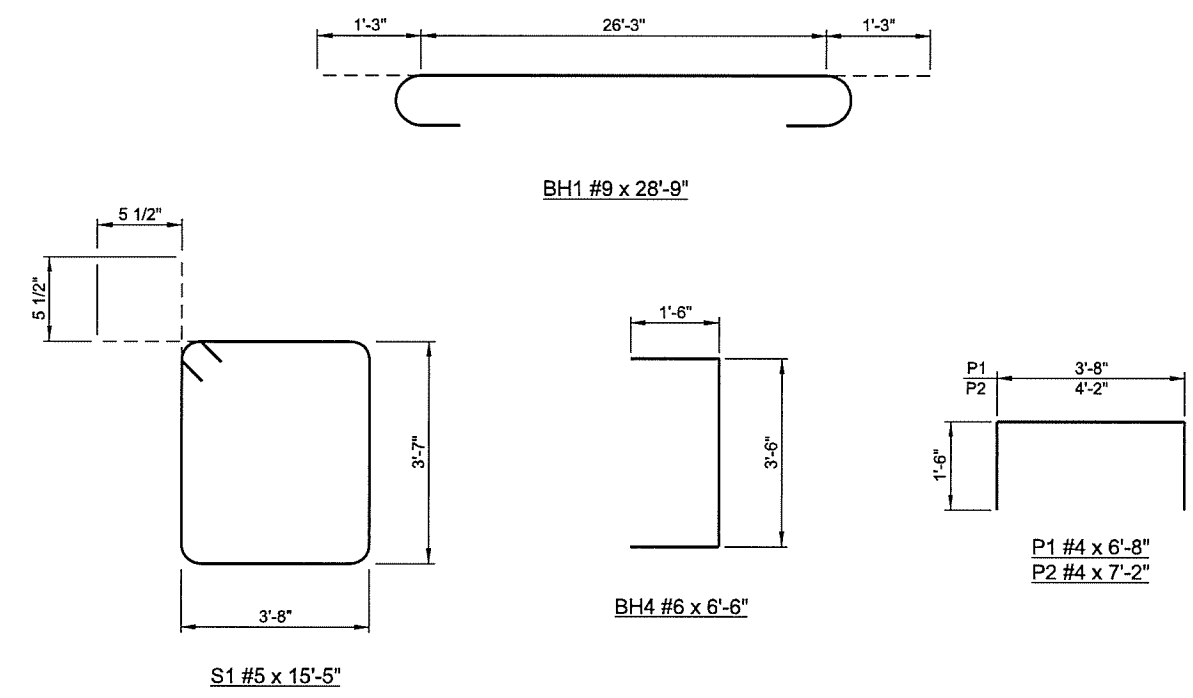
SECTION B-B



WIRE SPLICE WHEN REQ'D



WIRE SPLICE BEND



PIER NO. 3 COLUMN BAR LIST
EPOXY COATED REINFORCING BARS

MARK	SIZE	NO.	FORM	LENGTH
NORTH COLUMN				
C1	#11	14	STR.	20'-3"
CS1	W20	1	SPIRAL	341'-0"
SOUTH COLUMN				
C1	#11	14	STR.	21'-2"
CS1	W20	1	SPIRAL	357'-1"

PIER NO. 3 PIER CAP BAR LIST
EPOXY COATED REINFORCING BARS

MARK	SIZE	NO.	FORM	LENGTH
BH1	#9	6	BNT.	28'-9"
BH2	#6	6	STR.	26'-3"
BH3	#9	6	STR.	26'-3"
BH4	#6	6	BNT.	6'-6"
S1	#5	25	BNT.	15'-5"
P1	#4	18	BNT.	6'-8"
P2	#4	15	BNT.	7'-2"

PIER NO. 3 SUMMARY OF QUANTITIES

DESCRIPTION	UNIT	TOTAL
CLASS A CONCRETE	CY	28.7
EPOXY COATED REINFORCING STEEL	LB	5530.0
WATER REPELLENT (VISUALLY INSPECTED)	SY	83.0

N:\11399\200-11399-13001-05\CAD\SheetFiles\JP 28865 (04) -57-BR.B.-Pier 3.2.dgn 6/7/2016

2ND STREET RAMP OVER I-444 - BRIDGE 'B'

DESIGN	LWN	2-16	OKLAHOMA DEPARTMENT OF TRANSPORTATION PIER NO. 3 DETAILS SHEET 2 OF 2 STATE JOB NO. 28865(04) SHEET NO. 57 TULSA CO. 2ND STREET
DRAWN	MRM	2-16	
CHECKED	JSH	3-16	
APPROVED			
SQUAD	TT		