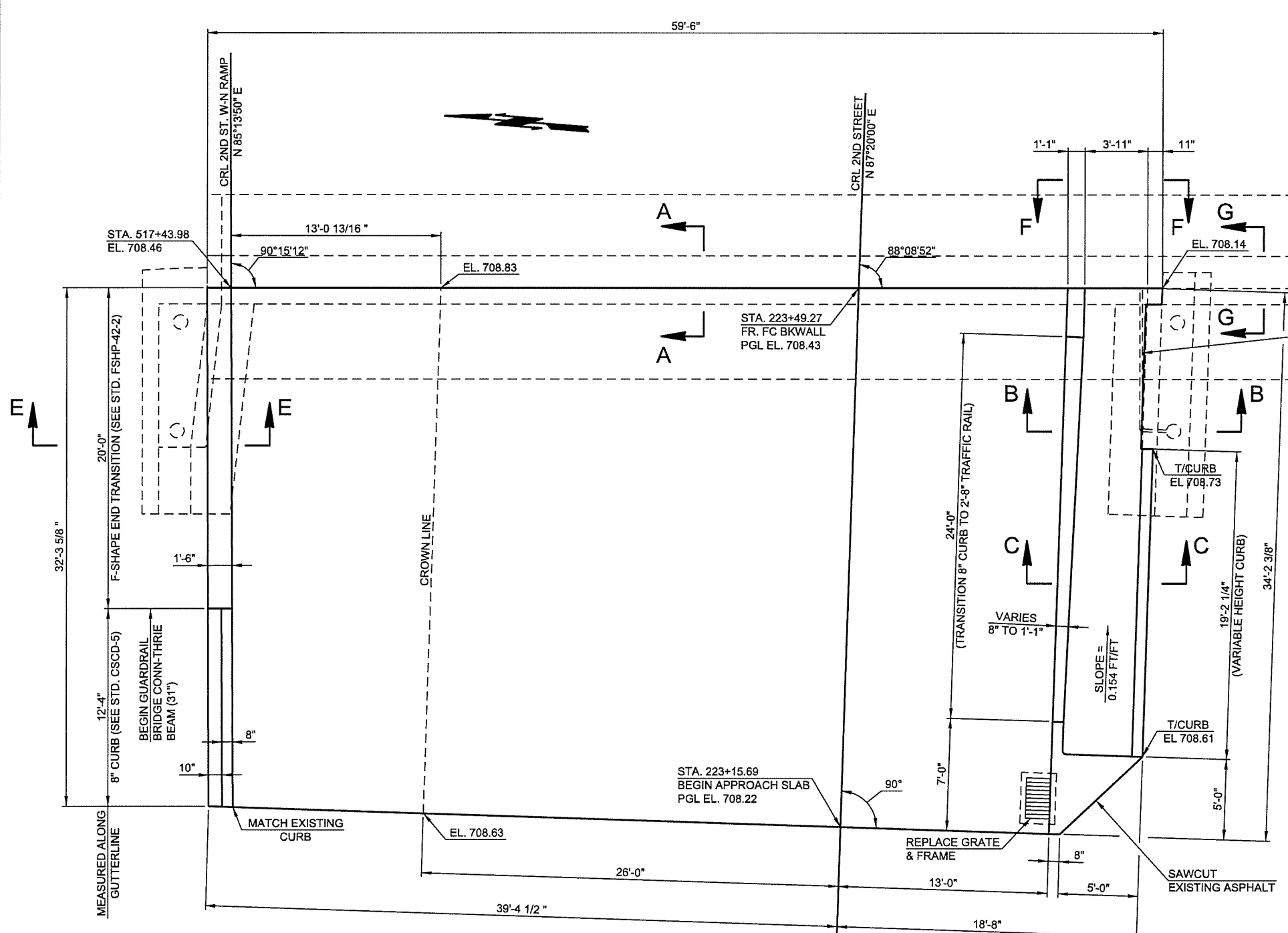
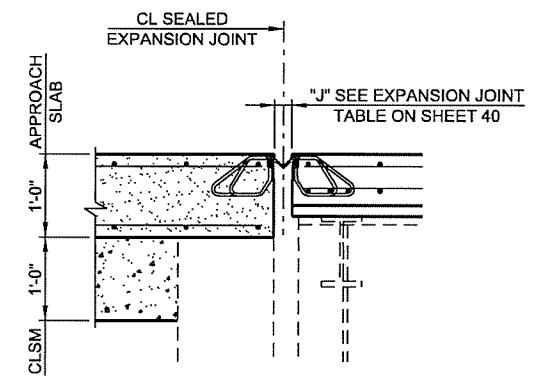


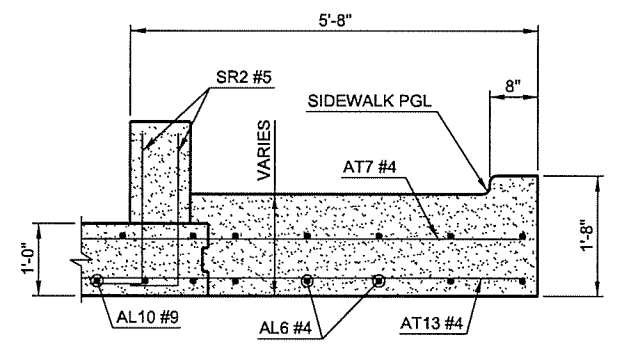
DESCRIPTION	REVISIONS	DATE



NOTE:
REPLACE 2" Ø GALVANIZE CONDUIT AND WIRING WITH NEW CONDUIT AND WIRING. CONNECT TO NEW CONDUIT.

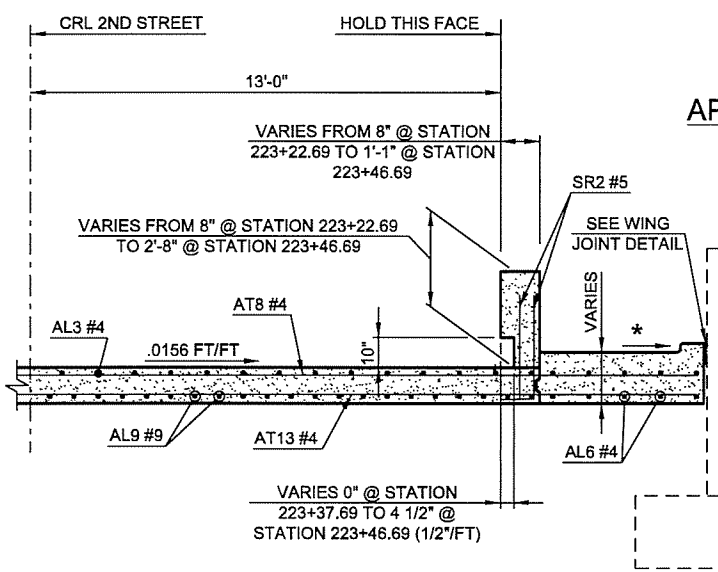


SECTION A-A



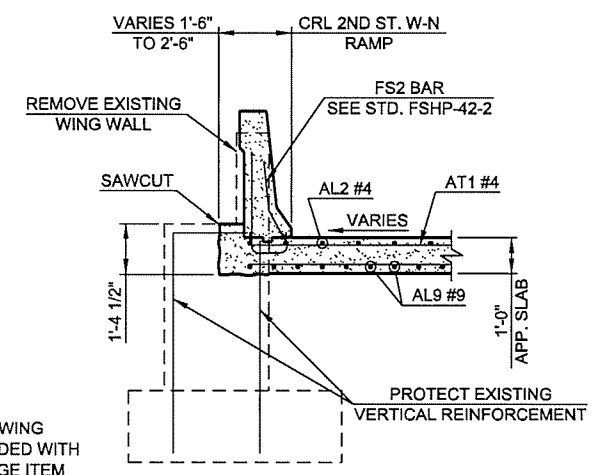
SECTION C-C

FOR VIEW G-G AND VIEW F-F SEE SHEET 19.

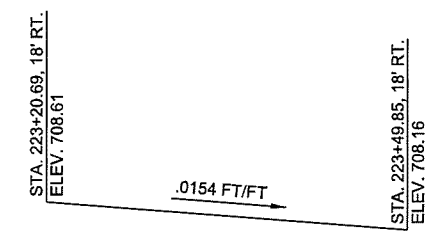


SECTION B-B

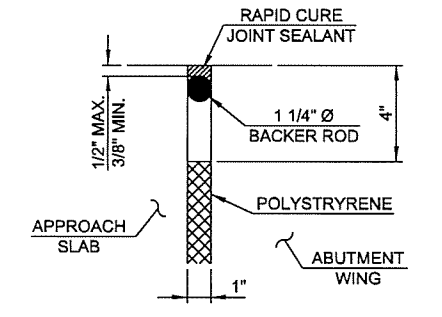
APPROACH SLAB NO. 1



SECTION E-E



SIDEWALK PROFILE



WING JOINT DETAIL

NOTE:
COST TO REMOVE WING WALL TO BE INCLUDED WITH REMOVAL OF BRIDGE ITEM (TYPE A).

DESIGN	JWB	3-1-6
DRAWN	MRM	3-1-6
CHECKED	JSH	3-1-6
APPROVED		
SQUAD	TT	

2ND STREET OVER I-444 - BRIDGE 'A'
OKLAHOMA DEPARTMENT OF TRANSPORTATION
 APPROACH SLAB NO. 1
 SHEET 1 OF 3
 STATE JOB NO. 28865(04) SHEET NO. 47
 TULSA CO. 2ND STREET

6/7/2016 N:\11399\200-11399-13001-05\CAD\SheetFiles\JP 28865 (04) -47-BR.A-App.Slab.1.dgn