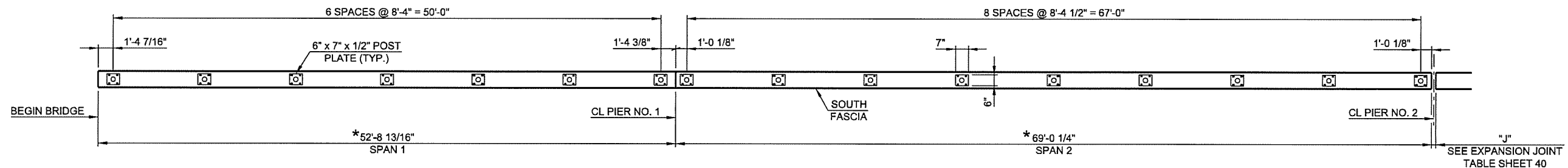
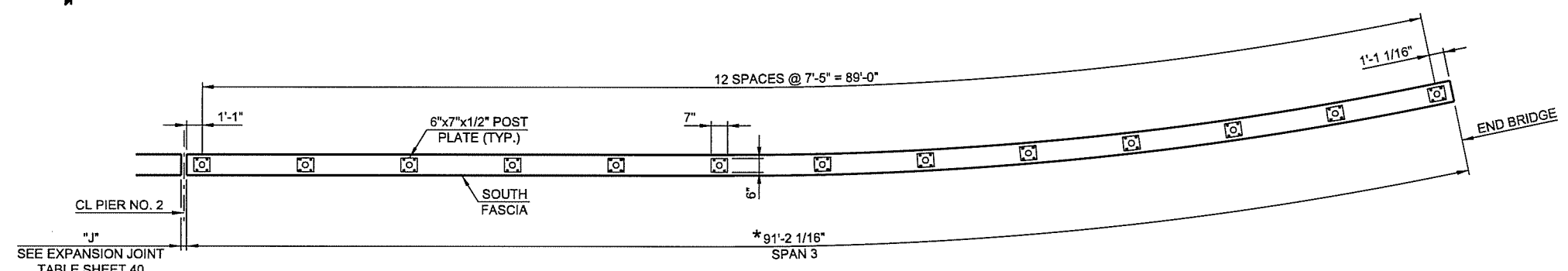


DESCRIPTION	REVISIONS	DATE

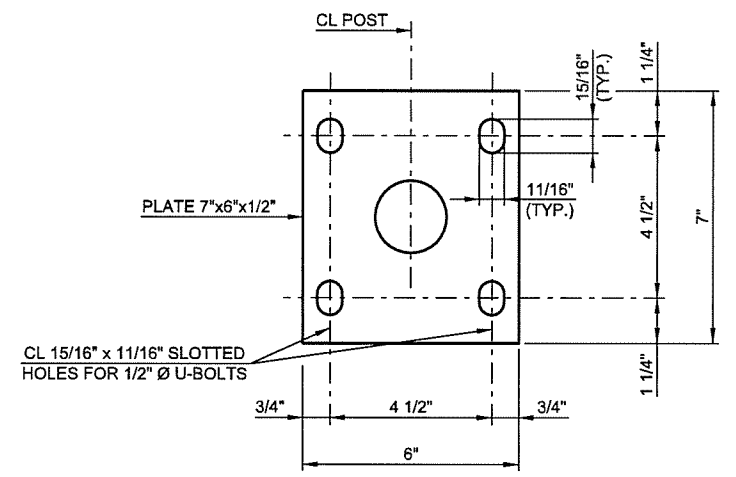


SPAN 1 AND 2 FENCE POST SPACING PLAN

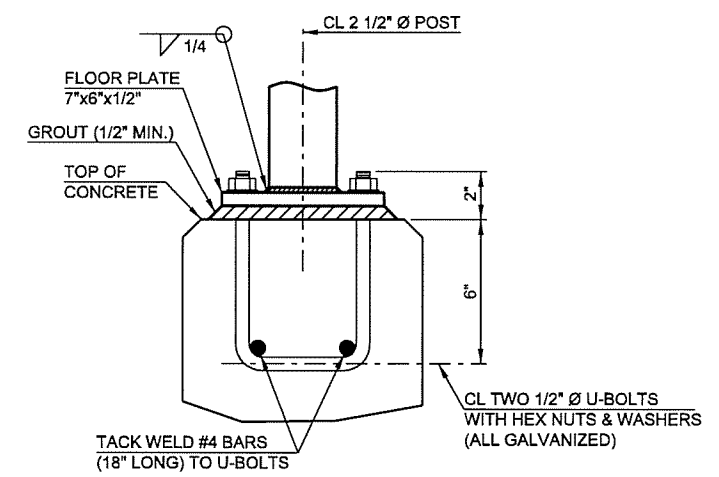
* MEASURED ALONG SOUTH FASCIA



SPAN 3 FENCE POST SPACING PLAN



PLAN OF FLOOR PLATE



POST CONNECTION (TYPICAL)

DESIGN			JSH	3-16	OKLAHOMA DEPARTMENT OF TRANSPORTATION FENCE DETAILS SHEET 1 OF 2 STATE JOB NO. 28865(04) SHEET NO. 43 TULSA CO. 2ND STREET
DRAWN			MRM	3-16	
CHECKED			LWN	3-16	
APPROVED					
SQUAD			TT		

N:\11399200-11399-13001-05\CAD\SheetFiles\JP 28865 (04) -43-BR-A-Fence.1.dgn
 6/7/2016