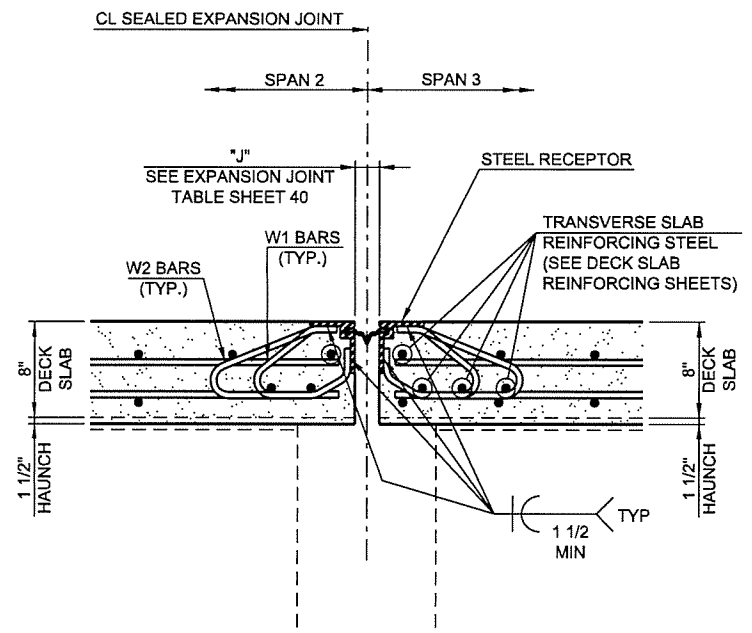
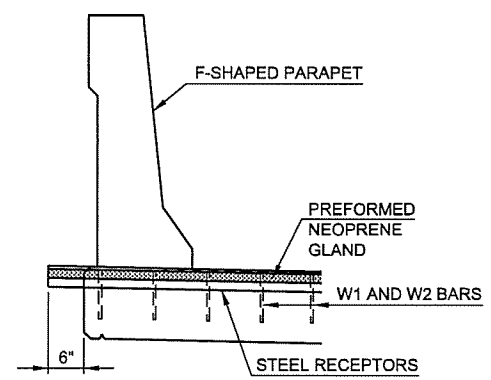


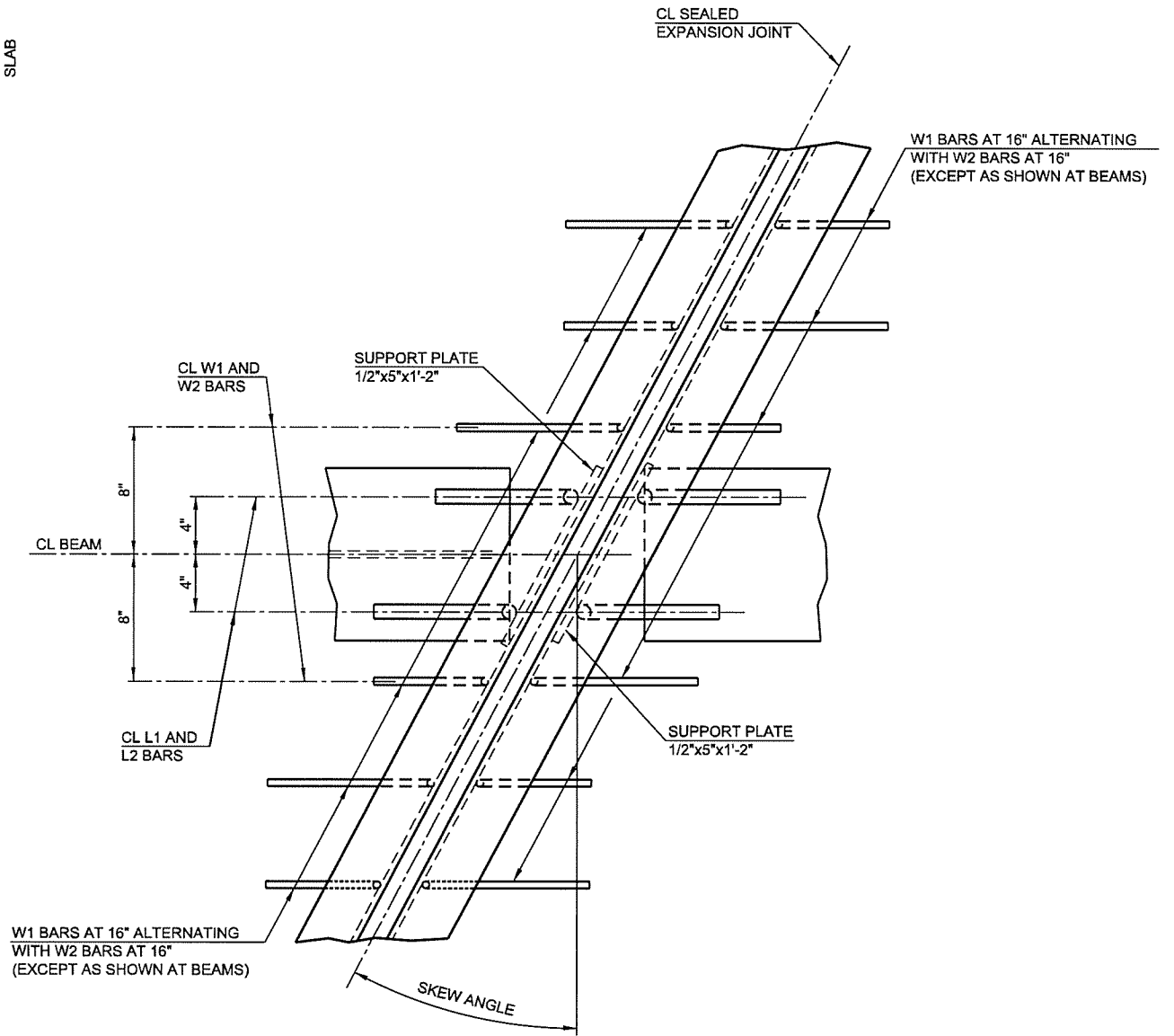
**SECTION OF EXPANSION JOINT
AT PIER NO. 2 AT BEAMS**



**SECTION OF EXPANSION JOINT
AT PIER NO. 2 BETWEEN BEAMS**



**SECTION AT F-SHAPED
PARAPET
(PIER NO. 2)**



**PLAN OF SEALED EXPANSION JOINT
AT PIER NO. 2**

N:\11399\200-11399-13001-05\CAD\SheetFiles\JP 28865 (04) -41-BR-A-Exp.Jt.2.dgn
 6/7/2016

2ND STREET OVER I-444 - BRIDGE 'A'

DESIGN	JSH	3-16
DRAWN	MRM	3-16
CHECKED	LWN	3-16
APPROVED		
SQUAD	TT	

OKLAHOMA DEPARTMENT OF TRANSPORTATION

SEALED EXPANSION JOINT DETAILS
SHEET 2 OF 3

STATE JOB NO. 28865(04) SHEET NO. 41
TULSA CO. 2ND STREET