

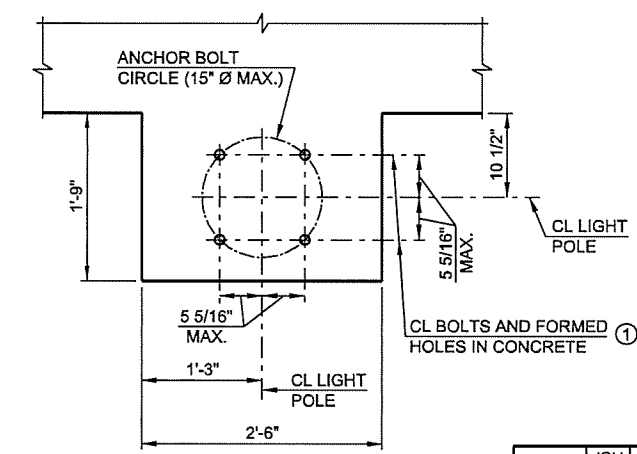
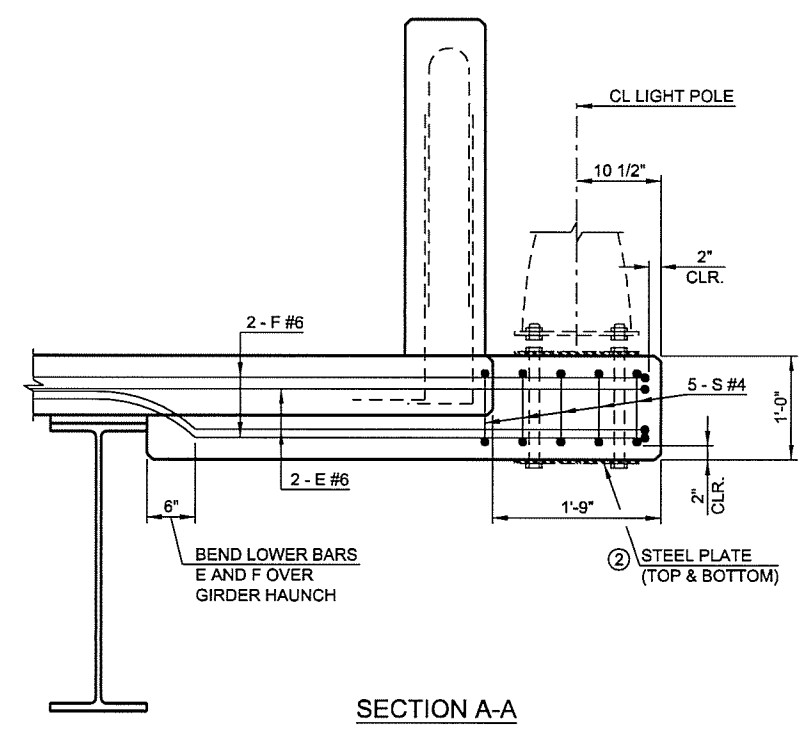
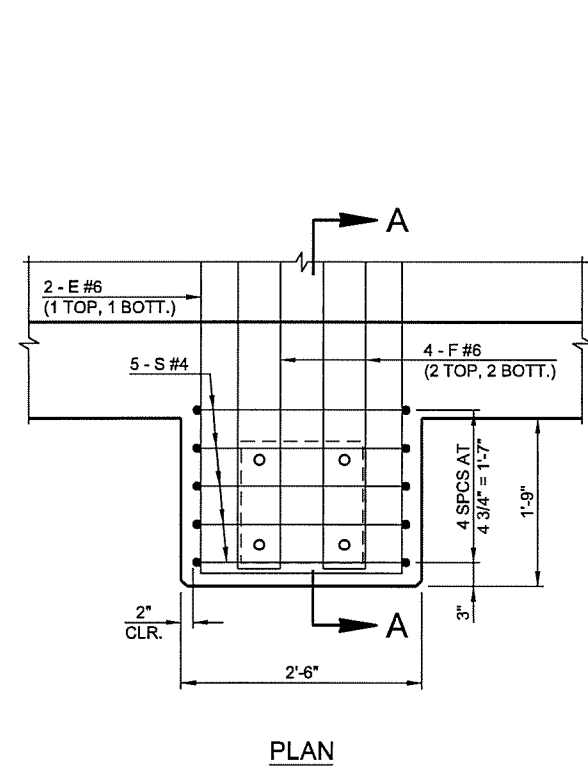
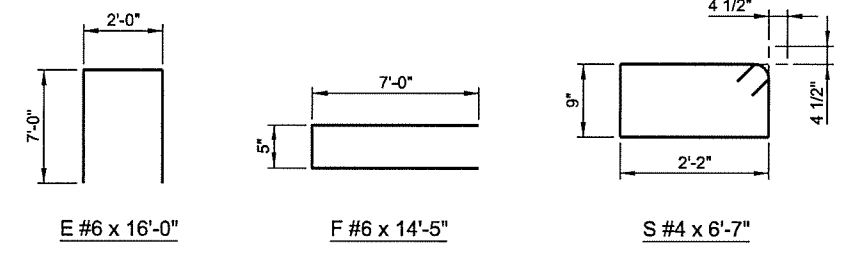
### LIGHTING BRACKET BAR LIST

FOR INFORMATION ONLY  
(NOT INCLUDED IN QUANTITIES)  
(ONE SHOWN, TWO REQUIRED)

| MARK                          | SIZE | NO. | FORM | LENGTH |
|-------------------------------|------|-----|------|--------|
| EPOXY COATED REINFORCING BARS |      |     |      |        |
| E                             | #6   | 2   | BNT. | 16'-0" |
| F                             | #6   | 4   | BNT. | 14'-5" |
| S                             | #4   | 5   | BNT. | 6'-7"  |

#### LIGHTING BRACKET NOTES:

- COST OF CONSTRUCTING THE LIGHTING BRACKET AS SHOWN, INCLUDING CONCRETE AND EPOXY COATED REINFORCING SHALL BE INCLUDED IN THE TRAFFIC UNIT COST PER EACH RESET OF LIGHT POLE.
- THE ESTIMATED QUANTITIES OF EACH LIGHTING BRACKET ARE 0.24 CUBIC YARDS OF CONCRETE, 157 POUNDS OF EPOXY COATED REINFORCING STEEL, AND 104 POUNDS OF STRUCTURAL STEEL INCLUDING ANCHOR BOLTS, NUTS, WASHERS, AND 2 PLATES.
- THE CONTRACTOR SHALL VERIFY THE SIZE OF THE BOLT HOLE PATTERN PRIOR TO CONSTRUCTION OF THE LIGHTING BRACKETS, MAXIMUM BOLT PATTERN DIAMETER FOR LIGHTING BRACKET SHOWN IS 15".
- DO NOT PLACE LIGHTING POLE UNTIL AFTER THE BRIDGE DECK HAS BEEN CONSTRUCTED AND CONCRETE HAS OBTAINED ADEQUATE STRENGTH.



### LIGHTING BRACKET DETAILS

|          |     |      |
|----------|-----|------|
| DESIGN   | JSH | 2-16 |
| DRAWN    | MRM | 2-16 |
| CHECKED  | LWN | 3-16 |
| APPROVED |     |      |
| SQUAD    | TT  |      |

2ND STREET OVER I-444 - BRIDGE 'A'  
**OKLAHOMA DEPARTMENT OF TRANSPORTATION**  
 LIGHTING BRACKET DETAILS  
 STATE JOB NO. 28865(04) SHEET NO. 36  
 TULSA CO. 2ND STREET