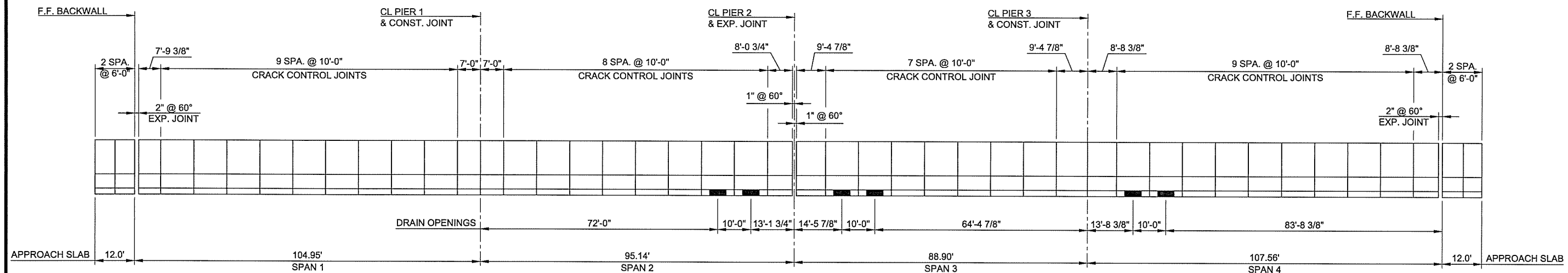
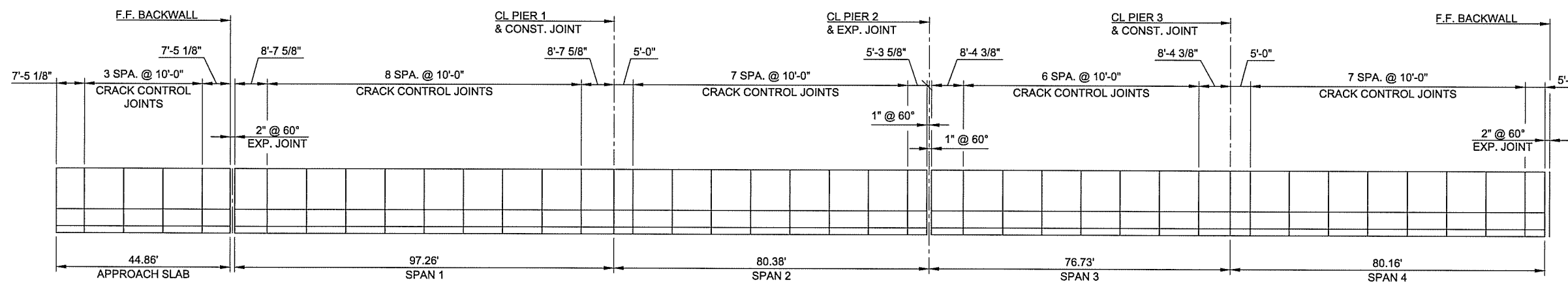


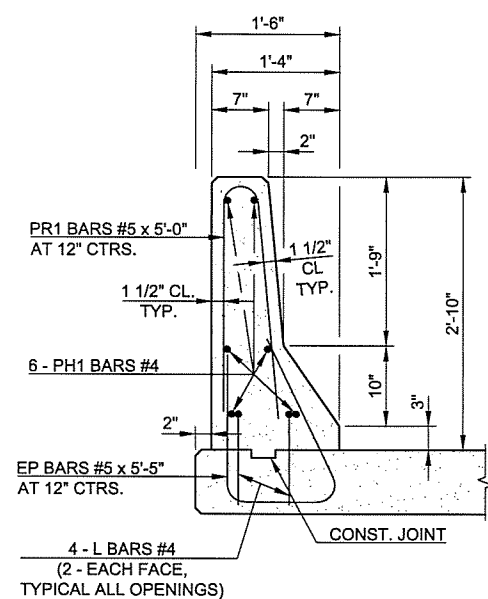
DESCRIPTION	REVISIONS	DATE



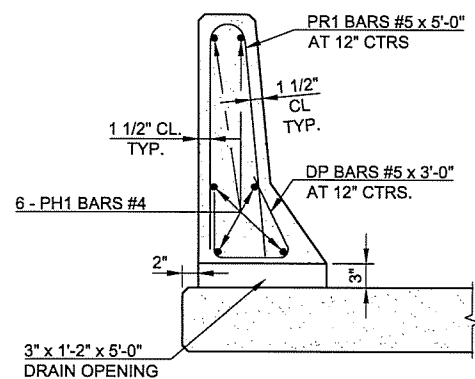
NORTH SLOPED FACE PARAPET



SOUTH SLOPED FACE PARAPET



SECTION THRU POST



SECTION THRU DRAIN OPENING

SECTION THRU BRIDGE PARAPET AT DECK SLAB

NOTES:
SEE STANDARD SFP1-2 FOR ALL OTHER DETAILS

DESIGN	JWB	9/15	OKLAHOMA DEPARTMENT OF TRANSPORTATION BRIDGE A TULSA COUNTY
DRAWN	MRM	9/15	
CHECKED	JWB	3/16	
APPROVED			
SQUAD	TT		STATE JOB NO. 28880(04) SHEET NO. 24

3/21/2016 11:03:20 AM - \\MATEIRA\TECH\11398\ODOT\EC 1414\FY14\TASK ORDER 3\CAD\SHSHEETFILES\24 - PARAPET DTLS.DWG - MARQUART, MATT