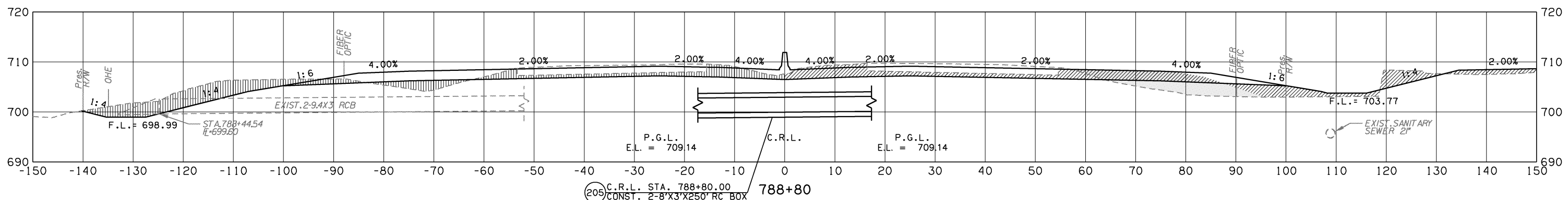


LEGEND					
—	MAINLINE	▨	PHASE 1A	▨	PHASE 4
---	EXISTING GROUND	▨	PHASE 2	▨	PHASE 6-1
▨	PHASE 3	▨	PHASE 6-2	▨	PHASE 8
▨	PHASE 7	▨	PHASE 9	▨	PHASE 10



205 C.R.L. STA. 788+80.00  
 CONST. 2-8'X3'X250' RC BOX  
 30° RT. FWD. SKEW  
 W/END SECTIONS  
 FL LT. EL=698.91  
 FL RT. EL=701.00

