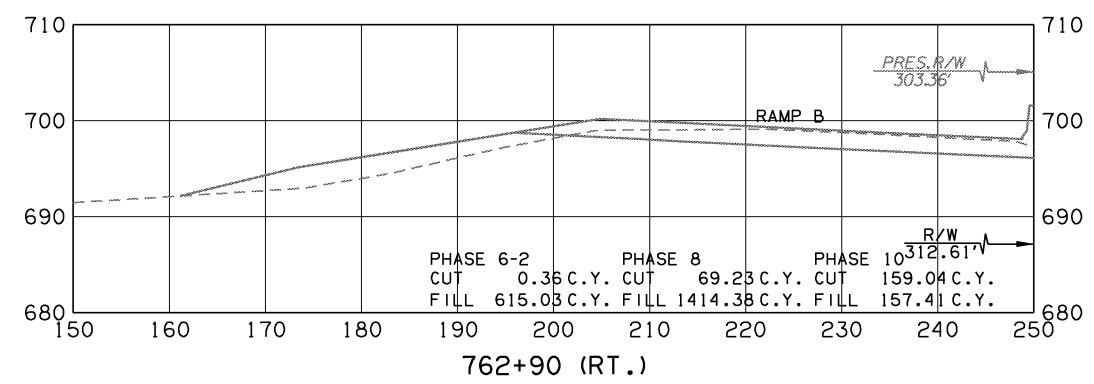
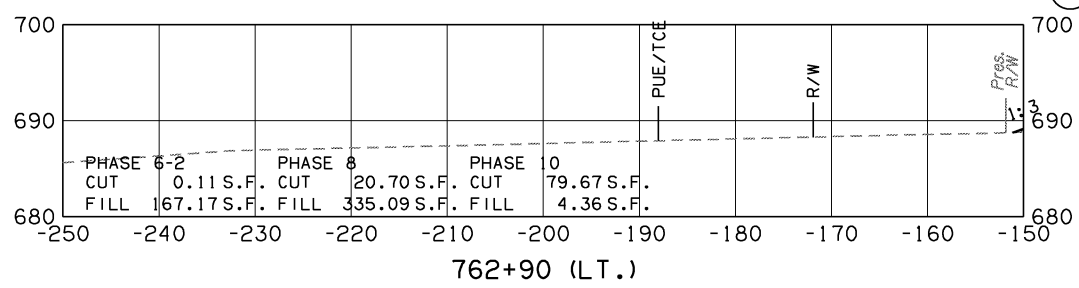
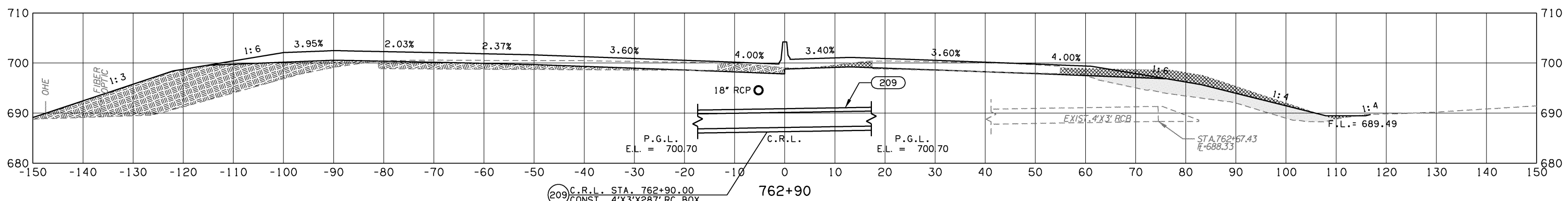
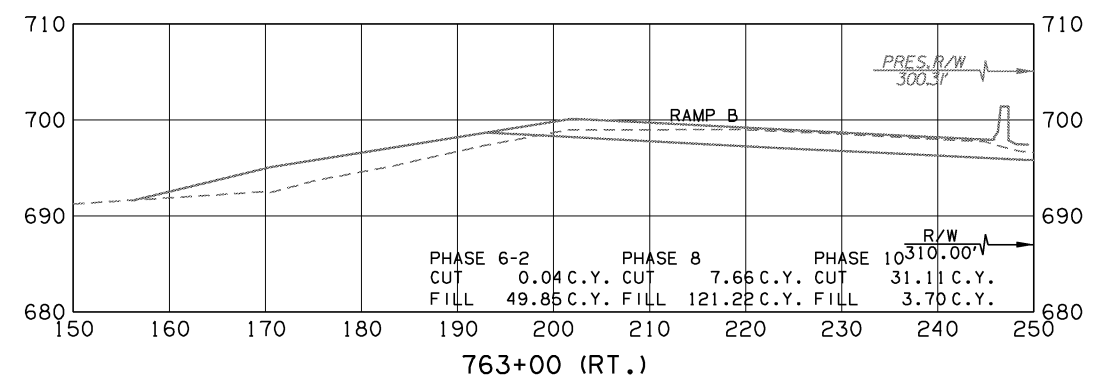
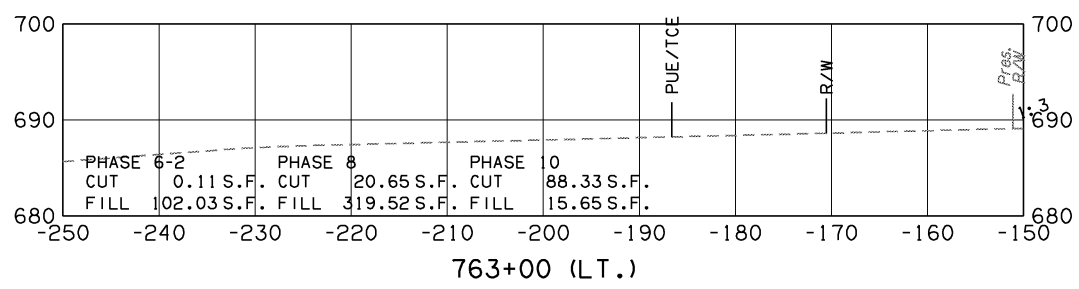
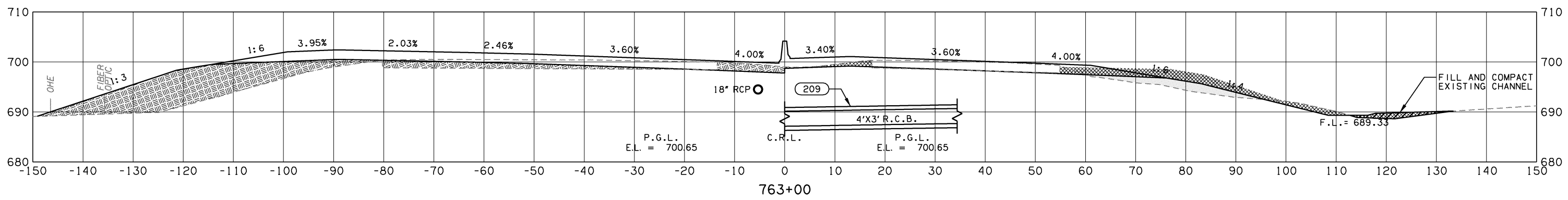


LEGEND					
—	MAINLINE	▨	PHASE 1A	▨	PHASE 4
- - -	EXISTING GROUND	▨	PHASE 2	▨	PHASE 6-1
		▨	PHASE 3	▨	PHASE 6-2
		▨	PHASE 7	▨	PHASE 8
		▨	PHASE 9	▨	PHASE 10



209 C.R.L. STA. 762+90.00
 CONST. 4'X3'X287' RC BOX
 30° RT. FWD. SKEW W/END SECTIONS
 FL LT. EL=684.62
 FL RT. EL=688.58