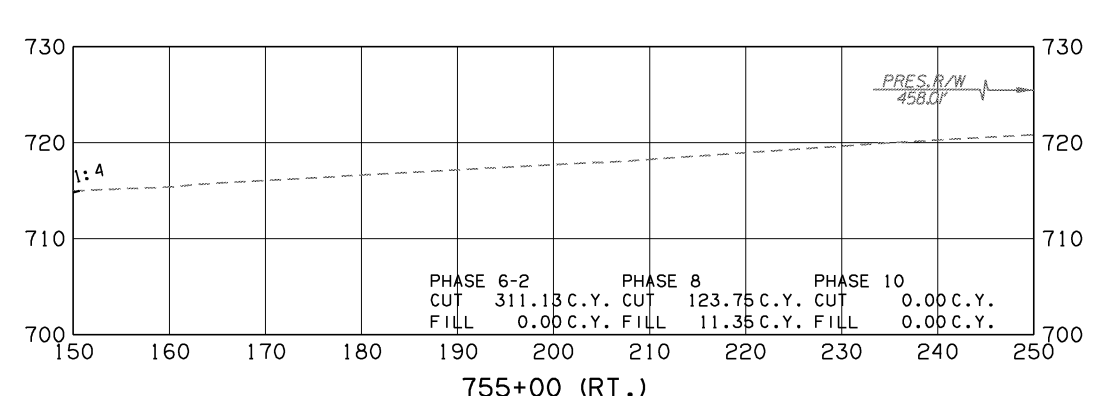
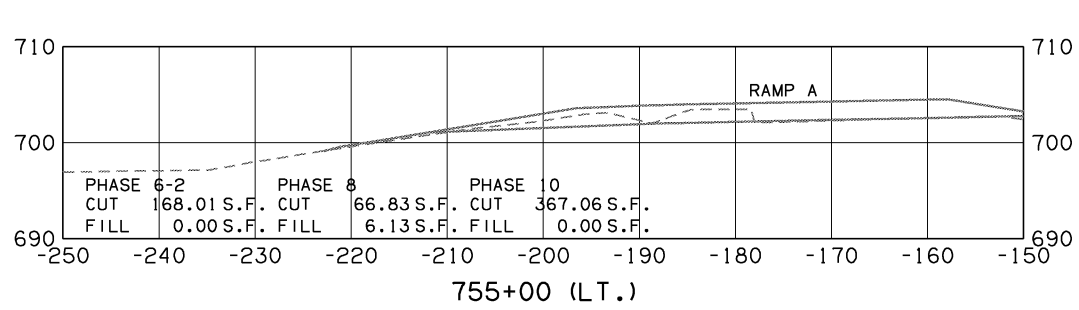
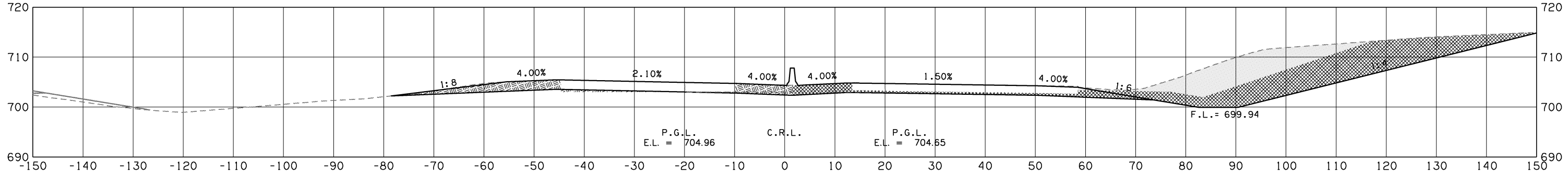
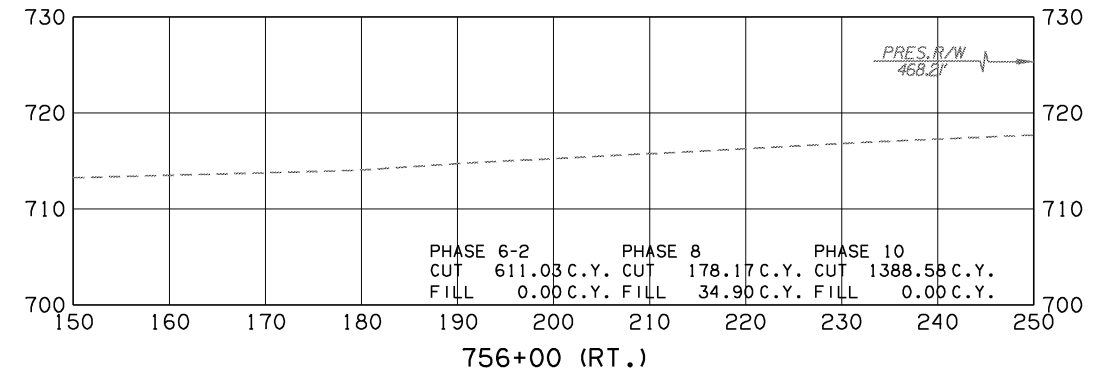
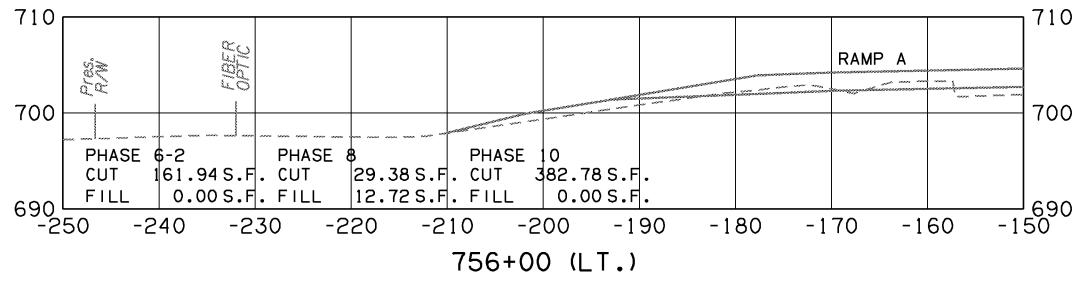
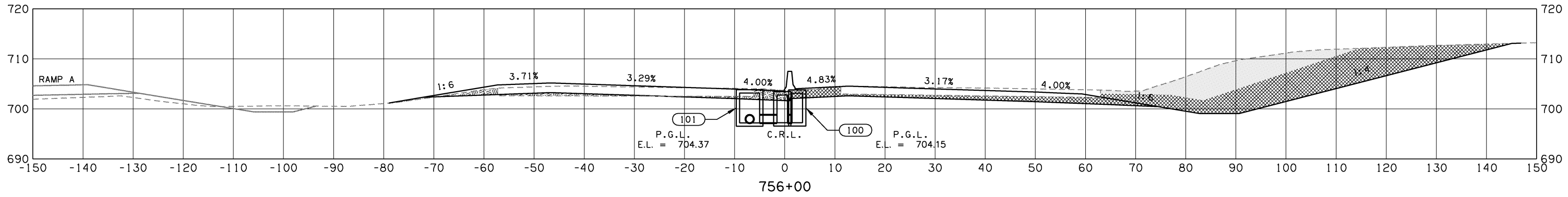


LEGEND					
—	MAINLINE	▨	PHASE 1A	▨	PHASE 4
- - -	EXISTING GROUND	▨	PHASE 2	▨	PHASE 6-1
▨	PHASE 3	▨	PHASE 6-2	▨	PHASE 8
▨	PHASE 7	▨	PHASE 9	▨	PHASE 10



755+00
END INCIDENTAL
BEGIN CONSTRUCTION

750+00
BEGIN INCIDENTAL