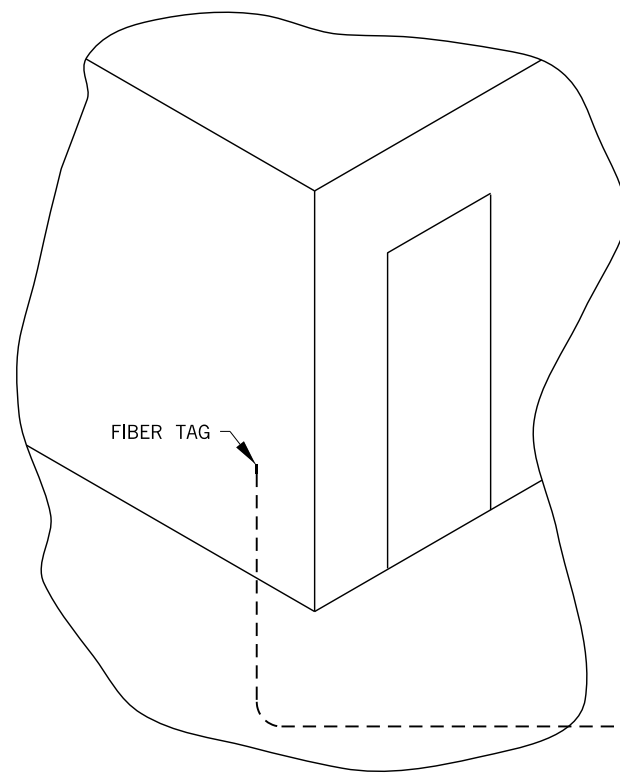
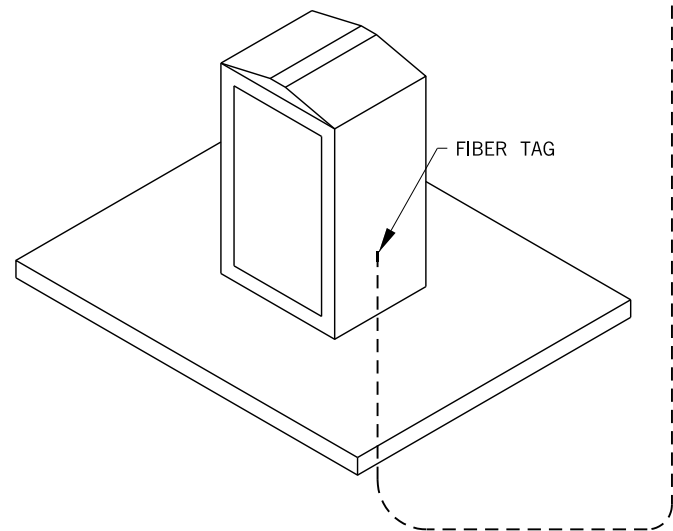


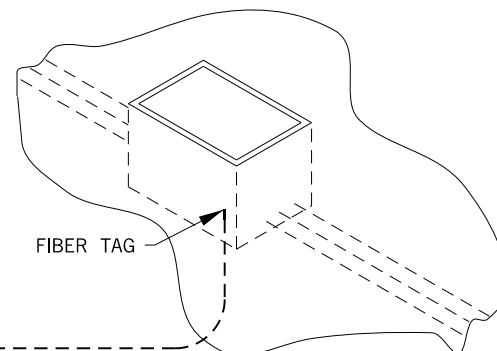
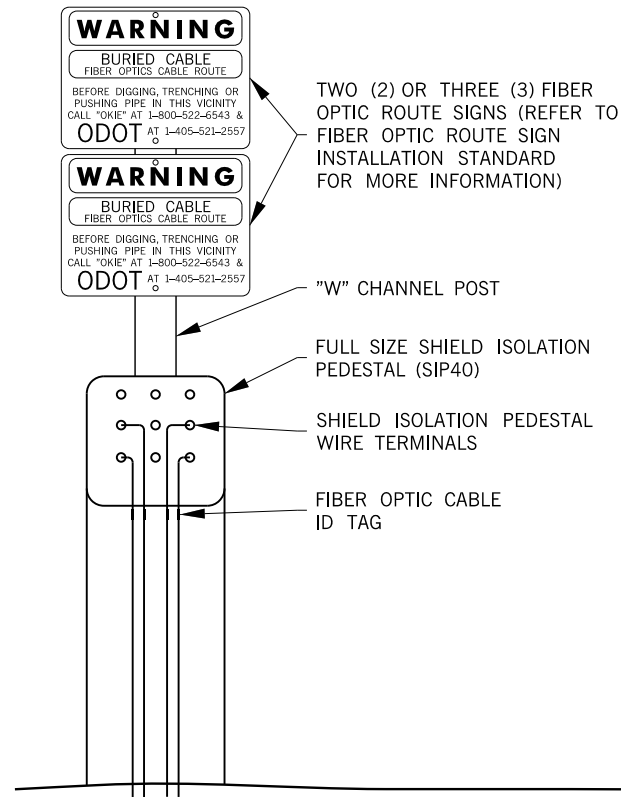
REV. NO.	DESCRIPTION	REVISIONS	DATE
1	PAGE ADDED		8/22/16



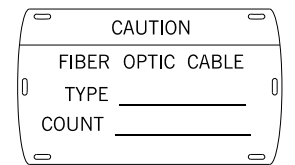
**COMMUNICATION HUT
SPLICE LOCATION**
(AT BUS BAR INSIDE
COMMUNICATION HUT)



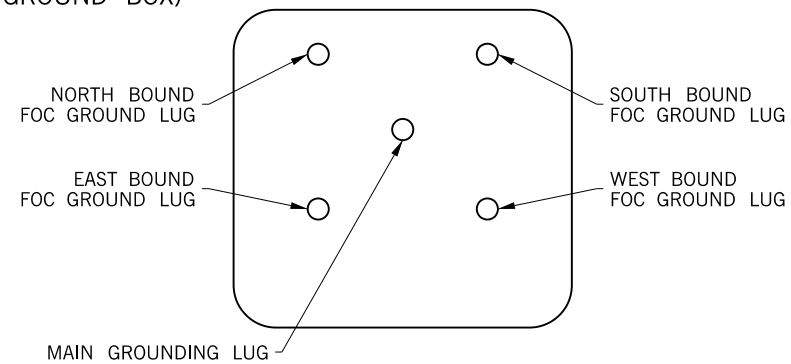
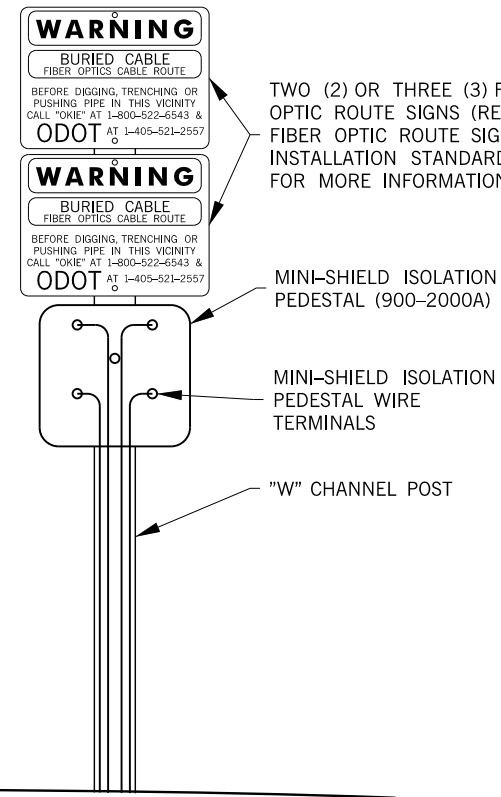
**332 COMMUNICATION CABINET
SPLICE LOCATION**
(AT GROUNDING LOCATION
INSIDE CABINET)



**GROUND BOX
SPLICE LOCATION**
(AT GROUNDING LOCATION
INSIDE GROUND BOX)



TIE ON ID TAG
(PANDUIT, P# PST-F0)
(SELF-LAM TAG OR
APPROVED EQUAL)



**SIGN MOUNTED
MINI-SHIELD
ISOLATION PEDESTAL
WIRING DETAIL**

- QUANTITIES NEEDED:
- A. COST BID FOR A FULL SIZE ISOLATION PEDESTAL TO INCLUDE THE FOLLOWING ITEMS:
- ONE (1) EACH SHIELD ISOLATION PEDESTAL (EMERSON MODEL #SIP40)
 - ONE (1) "W" FLANGE POST, 1.12 - 2 LBS. / FT.
 - APPROPRIATE FIBER OPTIC SIGNS AND NECESSARY NUTS, BOLTS
 - ONE (1) 42" PEDESTAL STAKE W/HARDWARE (EMERSON #MS1342)
 - ONE (1) 3/8" X 5' GROUND ROD W/PIGTAIL (ERICO #6138529)
 - TAGGING AND IDENTIFYING MATERIALS FOR EACH FIBER OPTIC CABLE
 - #6AWG WIRE (TO RUN BETWEEN THE SHIELD ISOLATION PEDESTAL AND THE SPLICE POINT (REGARDLESS OF ITS LOCATION IN A SPLICE BOX), GROUND BOX, 332 CABINET, COMMUNICATION HUT, ETC...)
 - ALL APPERTANCES AND MATERIALS NECESSARY TO CONNECT ALL SPLICE POINTS WITH THE SHIELD ISOLATION PEDESTAL
- B. COST BID FOR A MINI-SHIELD ISOLATION PEDESTAL TO INCLUDE THE FOLLOWING ITEMS:
- ONE (1) EACH MINI-SHIELD ISOLATION PEDESTAL (CHARLES INDUSTRIES MODEL # 400-2000A)
 - ONE (1) "W" FLANGE POST, 1.12 - 2 LBS. / FT.
 - APPROPRIATE FIBER OPTIC SIGNS AND NECESSARY NUTS, BOLTS
 - FIVE (5) ELECTRIC MOTION CO. SCREW-ON TERMINALS (MODEL #EM-2525)
 - ONE (1) 3/8" X 5' GROUND ROD W/PIGTAIL (ERICO #6138529)
 - TAGGING AND IDENTIFYING MATERIALS FOR EACH FIBER OPTIC CABLE
 - #6AWG WIRE (TO RUN BETWEEN THE SHIELD ISOLATION PEDESTAL AND THE SPLICE POINT (REGARDLESS OF ITS LOCATION IN A SPLICE BOX), GROUND BOX, 332 CABINET, COMMUNICATION HUT, ETC...)
 - ALL APPERTANCES AND MATERIALS NECESSARY TO CONNECT ALL SPLICE POINTS WITH THE SHIELD ISOLATION PEDESTAL

- GENERAL NOTES:
- A REGULAR OR MINI SHIELD ISOLATION PEDESTAL WILL BE REQUIRED AT THE FOLLOWING LOCATIONS:
FIBER OPTIC CABLE SPLICES
332 CABINETS
COMMUNICATION HUTS
AS DIRECTED BY THE ENGINEER
 - BOTH ISOLATION PEDESTAL TYPES ALLOW INVOLVED ENTITIES TO VERIFY, TRACE, LOCATE AND MARK FIBER OPTIC CABLE RUNS WITHOUT MAKING ENTRY TO OR OPEN ODOT (OR STATE OF OKLAHOMA) GROUND BOX, 332 CABINETS OR COMMUNICATION HUT SPLICE POINTS.
 - INDIVIDUAL FIBER OPTIC CABLE TRACE WIRE IS TO BE INDEPENDENTLY TERMINATED TO THE APPROPRIATE SHIELD ISOLATION PEDESTAL.
 - EACH FIBER OPTIC CABLE SHALL BE TAGGED WITH THE APPROPRIATE IDENTIFICATION TAGS.

DRAWINGS NOT TO SCALE

BASIS OF PAYMENT		
ITEM NO.	ITEM	UNIT
818(F)	(SP) SHIELD ISOLATION PEDESTAL	EA
818(F)	(SP) SHIELD ISOLATION PEDESTAL (MINI)	EA

FIBER OPTIC CABLE SHIELD ISOLATION PEDESTAL		
Drawn	JEK	7/16
Design	JEK	7/16
Checked	JS	7/16
MAINTENANCE GROUP JARED SCHWENNESEN		
STATE OF OKLAHOMA	DEPARTMENT OF TRANSPORTATION	
DIVISION 8	STATE JOB NO. 21899(04)	SHEET NO. ITS-23
TULSA & ROGERS COUNTIES		