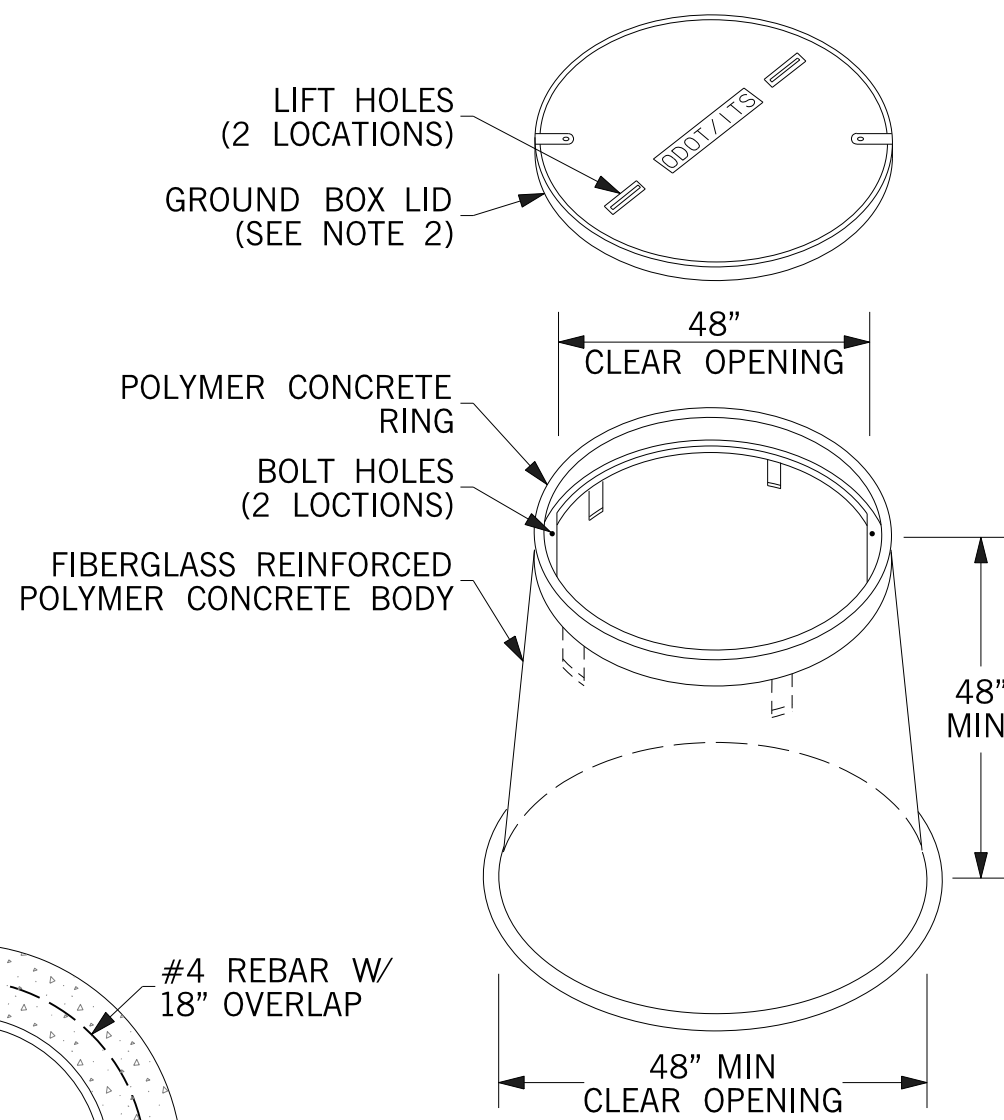
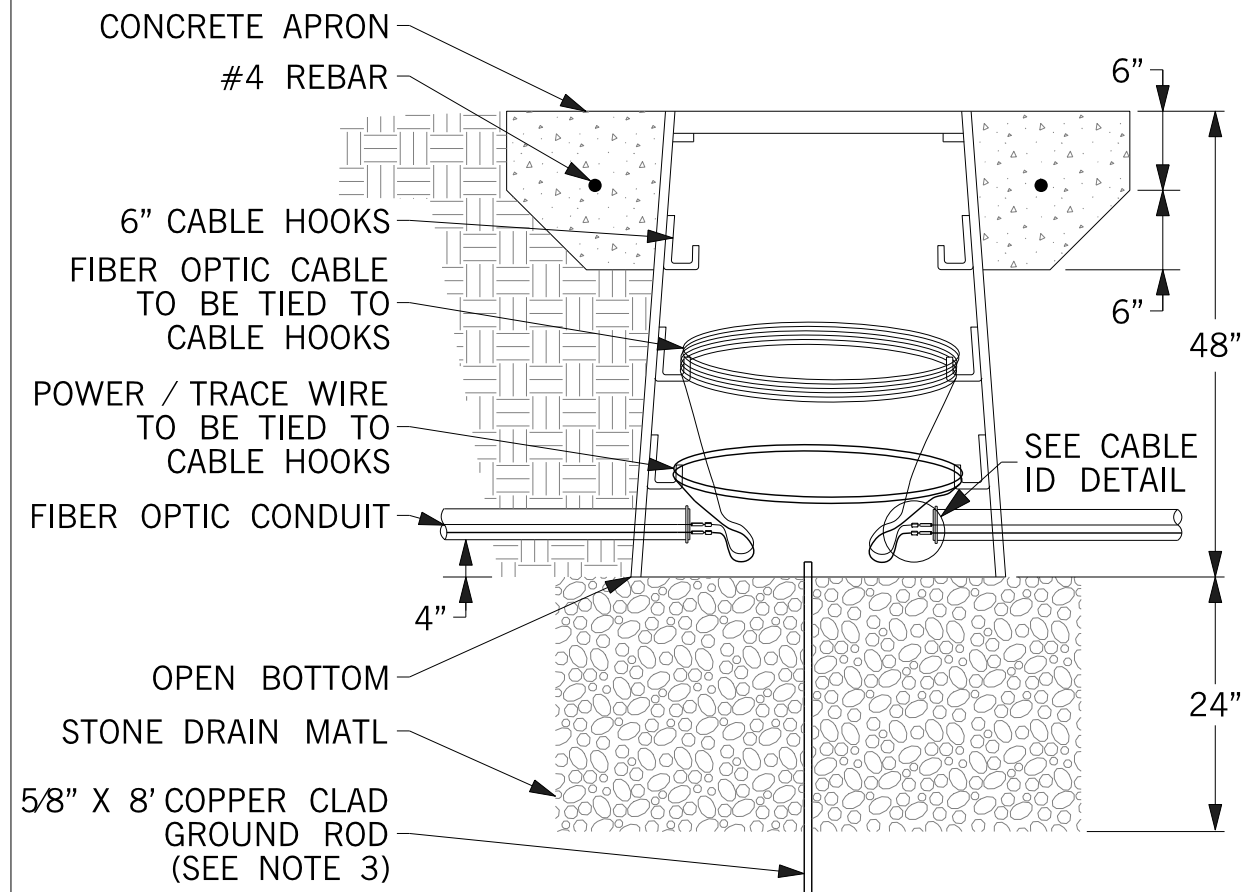


REV. NO.	DESCRIPTION	REVISIONS	DATE
1	PAGE ADDED		8/22/16



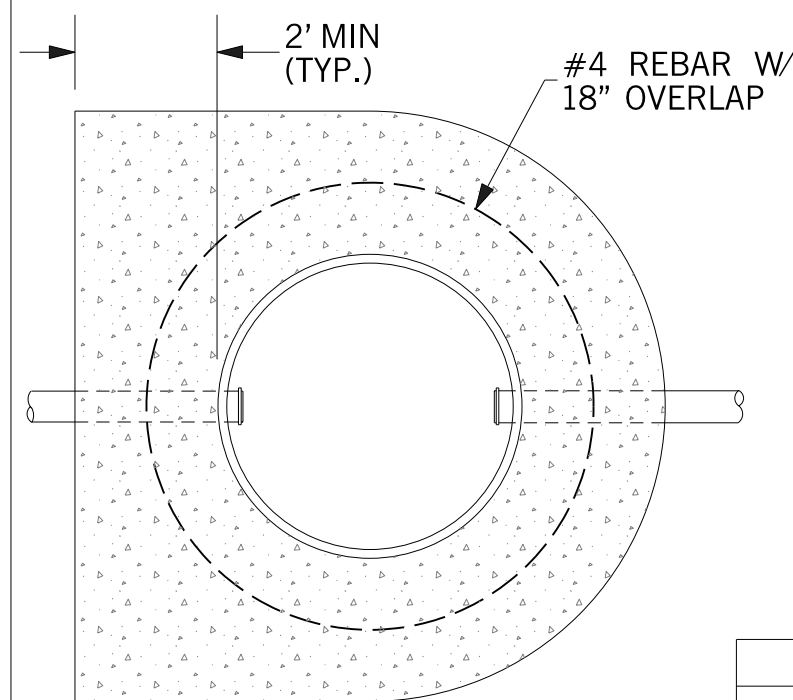
MATERIAL SPECIFICATIONS

A. CIRCULAR GROUND BOX TEXT SHALL BE 1" HIGH AND CENTERED. IT SHOULD READ: ODOT /ITS

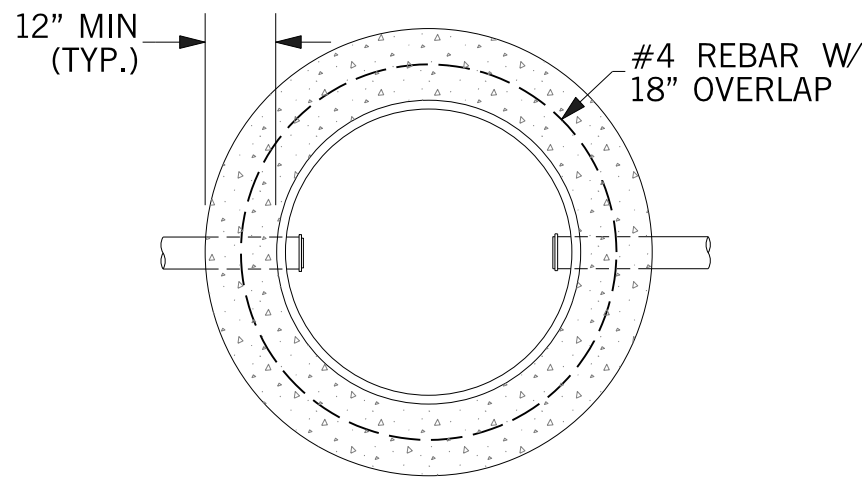
B. R48 GROUND BOX INSTALLATIONS ARE TO INCLUDE BOLTED DOWN LIDS. THREE (3) SET OF 4 - 6" CABLE HOOKS. THE CONTRACTOR SHALL PROVIDE ODOT WITH TWELVE (12) EXTRA BOLTS PER PROJECT.

NOTES:

- R48 GROUND BOX FRAMES AND COVER SHALL BE POLYMER CONCRETE.
- R48 GROUND BOX COVERS SHALL HAVE AN APPROVED WHEEL LOAD OF 10,700 LBS AND BE UV STABILIZED. COVERS SHALL BE APPROX. 3" THICK.
- IF SUBSURFACE CONDITIONS EXIST WHICH PROHIBIT THE PLACEMENT OF THE GROUND ROD IN A VERTICAL POSITION, THE ROD MAY BE DRIVEN AT AN OBLIQUE ANGLE NOT TO EXCEED 45 DEGREES FROM VERTICAL OR BURIED IN A TRENCH 30 INCHES DEEP. CONNECT TO GROUND ROD SHALL BE CAD WELDED.
- THE CIRCULAR R48 GROUND BOX COVER SHOULD BE SIZED TO FIT A BOX WITH A MINIMUM CLEAR OPENING OF 48".
- THE CONTRACTOR SHALL NEATLY COIL AND PLACE CABLE TAGS ON ALL FIBER/CONDUCTOR ENTERING AND LEAVING GROUND BOXES. ODOT WILL SUPPLY FIBER OPTIC TAGS FOR THE CONTRACTORS USE IN SUCH TAGGING.
- APPROVED R48 GROUND BOX CONTACT INFORMATION:
 ARMORCAST PRODUCTS COMPANY
 TEL: (818) 982-3600
 PART NO.: (A6001695A-OKDOT,A7000177)
 NEWBASIS
 TEL: (907)787-0600
 PART NO.: (FCC540000A04,FCV54003604,FPR54001207)
- GROUND BOX LIDS SHALL HAVE ONE (1) 3M EMS MARKER LOCATOR TAQ (MODEL# 1411 OR APPROVED EQUAL) CAST INTO IT.

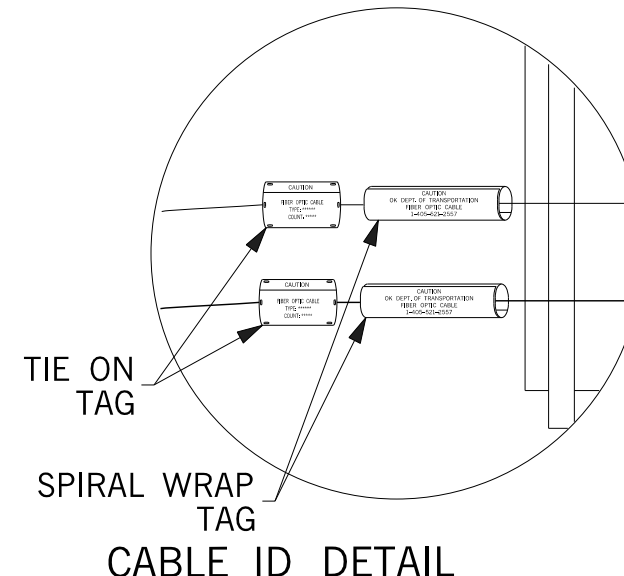


GROUND BOX ADJACENT TO SHOULDER



GROUND BOX GREATER THAN 2' FROM SHOULDER

CLASS "A" CONCRETE /REINFORCING STEEL QUANTITIES		
	GROUND BOX LESS THAN 2'-0" FROM SHOULDER	GROUND BOX GREATER THAN 2'-0" FROM SHOULDER
CLASS "A" CONCRETE	0.95 CU. YDS.	0.47 CU. YDS.
REINFORCING STEEL	11.54 LBS.	11.54 LBS.



CABLE ID DETAIL
FOR MORE INFORMATION REFER TO "MARKING, TAPING AND CONNECTOR STANDARD"

DRAWINGS NOT TO SCALE

BASIS OF PAYMENT		
ITEM NO.	ITEM	UNIT
509(B)	CLASS "A" CONCRETE	C.Y.
511(A)	REINFORCING STEEL	LBS
803(B)	GROUND BOX (R48)	EA

R48 GROUND BOX DETAIL		Drawn	JEK	7/16
		Design	JEK	7/16
STATE OF OKLAHOMA		Checked	JS	7/16
		MAINTENANCE/ITS GROUP JARED SCHWENNESEN		
DEPARTMENT OF TRANSPORTATION		DIVISION 8 STATE JOB NO. 21899(04) SHEET NO. ITS-22		