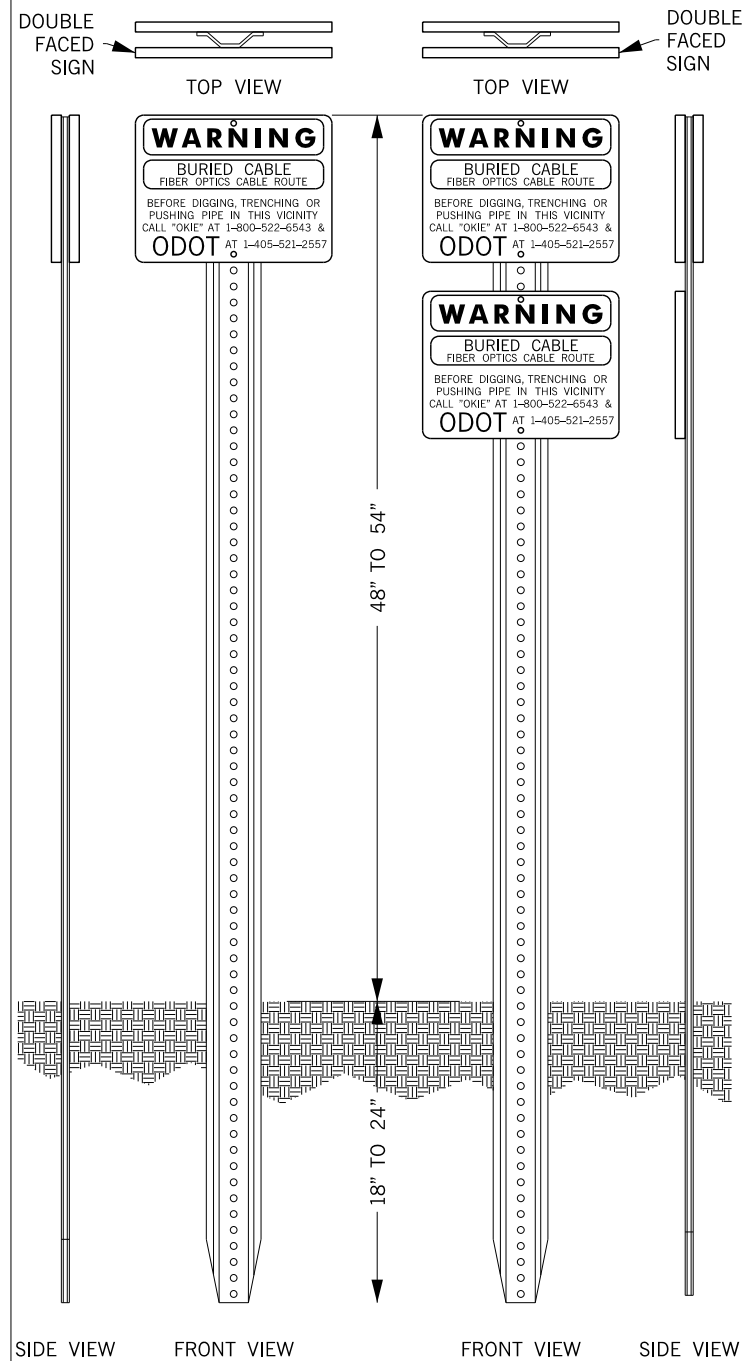
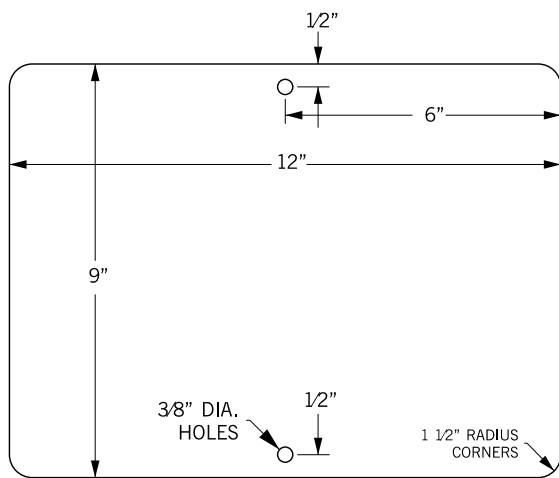
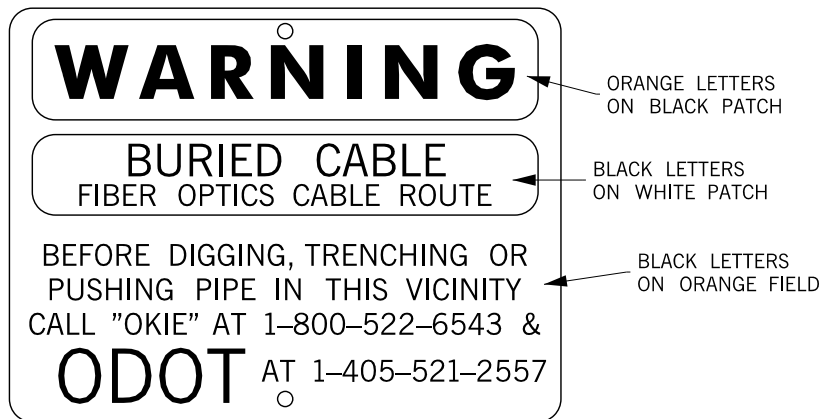


REV. NO.	DESCRIPTION	REVISIONS	DATE
1	PAGE ADDED		8/22/16



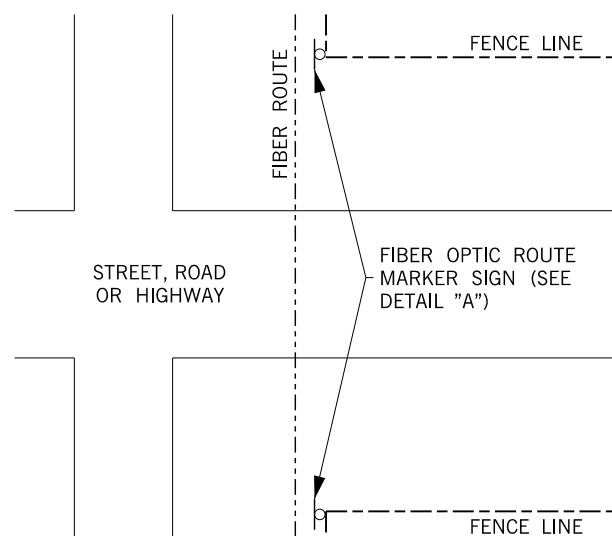
TYPE "A"
FOR PLACEMENT
ALONG FIBER ROUTE
TYPICAL SIGN PLACEMENT

TYPE "B"
FOR PLACEMENT
AT GROUND BOX
LOCATIONS
TYPICAL SIGN PLACEMENT



SIGN BLANK - B1209
(ALUMINUM ALLOY 6061-T6
OR APPROVED EQUAL)
(.063" THICKNESS)

FIBER OPTIC ROUTE MARKER

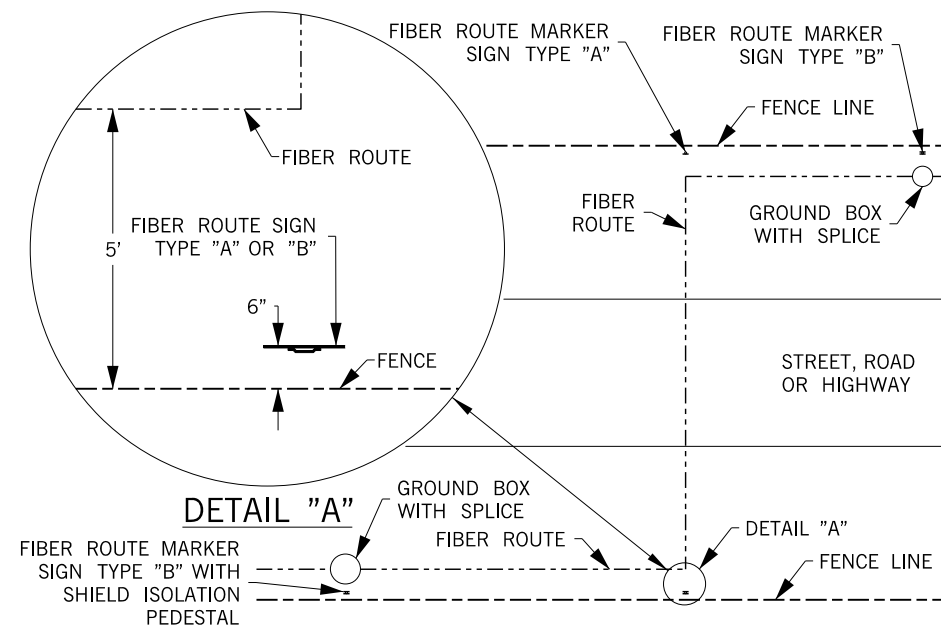


TYPICAL SIGN PLACEMENTS
(FOR FIBER ROUTES RUNNING PARALLEL
OR CROSSING STREETS, ROADS OR HIGHWAYS)

GENERAL NOTES

1. TYPE "A" FIBER OPTIC CABLE ROUTE SIGNS SHALL BE PLACED ON THE RIGHT-OF-WAY FENCE ON EACH SIDE OF THE ROADWAY/HIGHWAY CROSSING AND AT APPROXIMATELY 1500' INTERVALS ALONG THE FIBER ROUTE OR AS DIRECTED BY THE ENGINEER.
2. TYPE "B" FIBER OPTIC CABLE ROUTE SIGN SHALL BE PLACED AT ALL GROUND BOX LOCATIONS.
3. REFER TO O.D.O.T. STANDARDS SBS1-1, GMS1-1, AND FCM1-1 (LATEST REVISIONS) FOR SIGN BLANK, FOOTING AND CHANNEL POST DETAILS.
4. EACH SIGN BLANK SHALL CONSIST OF APPROXIMATELY 0.65 SF OF SHEET ALUMINUM SIGN (TWO OR THREE BLANKS ARE REQUIRED FOR EACH SIGN ASSEMBLY).
5. COST BID FOR SIGN INSTALLATION SHALL INCLUDE THE FOLLOWING:
FABRICATION OR PURCHASE OF TWO (2) OR THREE (3) SIGNS ONE (1) SIX (6) FOOT W-FLANGE POST (1.12 - 2 LBS. PER FOOT) ONE (1) SET OF 1/4" BOLTS AND NUTS FOR EACH SIGN INSTALLATION OF THE SIGN ASSEMBLY ON THE POST
6. W-FLANGE, NUTS AND BOLTS ARE TO BE GALVANIZED AS PER ATSM A123 SPECIFICATIONS OR CADMIUM PLATED. ALL BOLTS ARE TO EXTEND PAST THE SECURING NUT A MINIMUM OF 1/4" TO A MAXIMUM OF 1/2".
7. FIBER OPTIC ROUTE SIGN SOURCE:

VULCAN UTILITY SIGNS AND PRODUCTS, INC.
P.O. BOX BOX 1850
FOLEY, ALABAMA 36536
ATTN: THERESA NOLTE
1-800-426-1314
WWW.VULCANINC.COM
PART #: 0803350
(OR APPROVED EQUAL)



TYPICAL SIGN PLACEMENTS
(FOR FIBER ROUTES RUNNING PARALLEL
OR CROSSING STREETS, ROADS OR HIGHWAYS)

DRAWINGS NOT TO SCALE

BASIS OF PAYMENT		
ITEM NO.	ITEM	UNIT
818(G)	(SP) FIBER OPTIC ROUTE SIGN & INSTALLATION	EA

FIBER OPTIC ROUTE SIGN INSTALLATION DETAIL			Drawn	JEK	7/16
			Design	JEK	7/16
STATE OF OKLAHOMA DEPARTMENT OF TRANSPORTATION			Checked	JS	7/16
			MAINTENANCE/ITS GROUP JARED SCHWENNESEN		
DIVISION 8		STATE JOB NO. 21899(04)	SHEET NO. ITS-21		