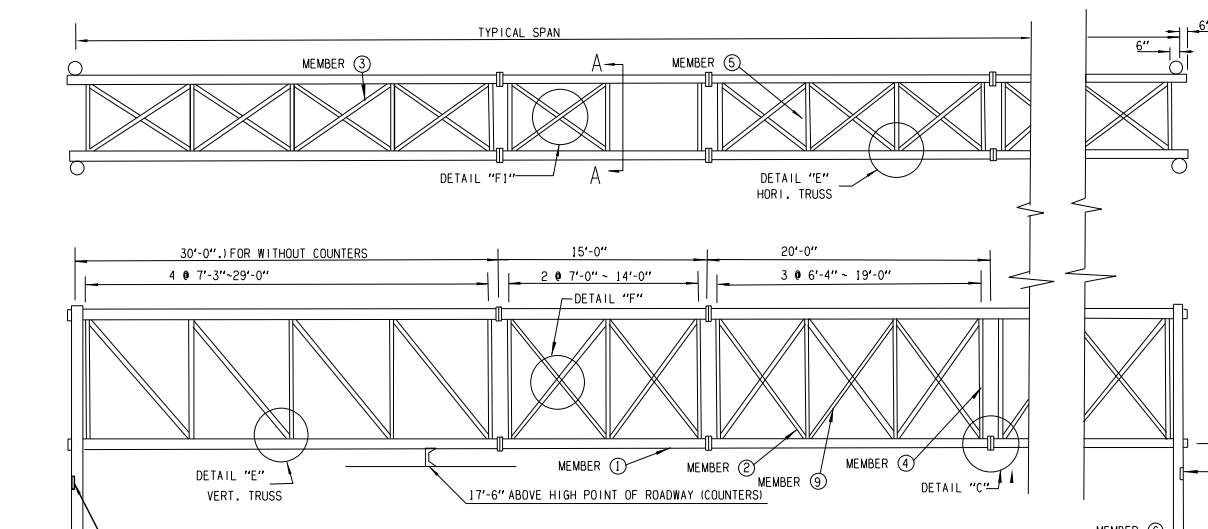


REV. NO.	DESCRIPTION	REVISIONS	DATE
1	PAGE ADDED		8/22/16

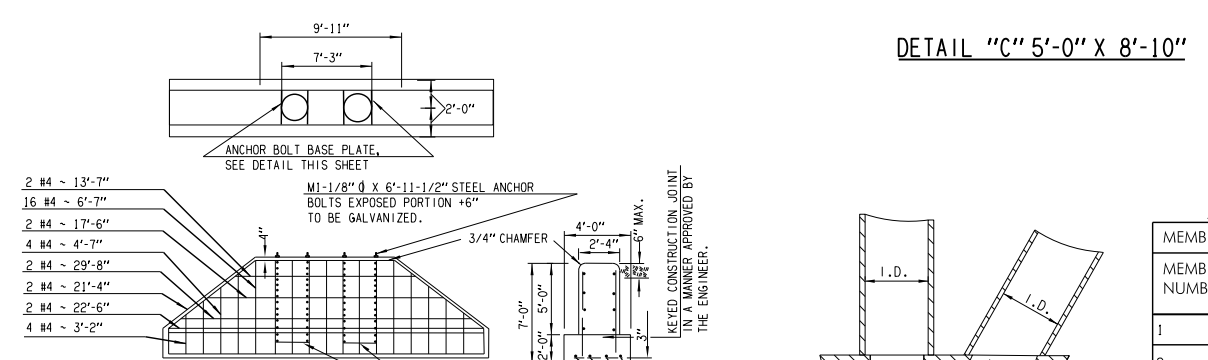
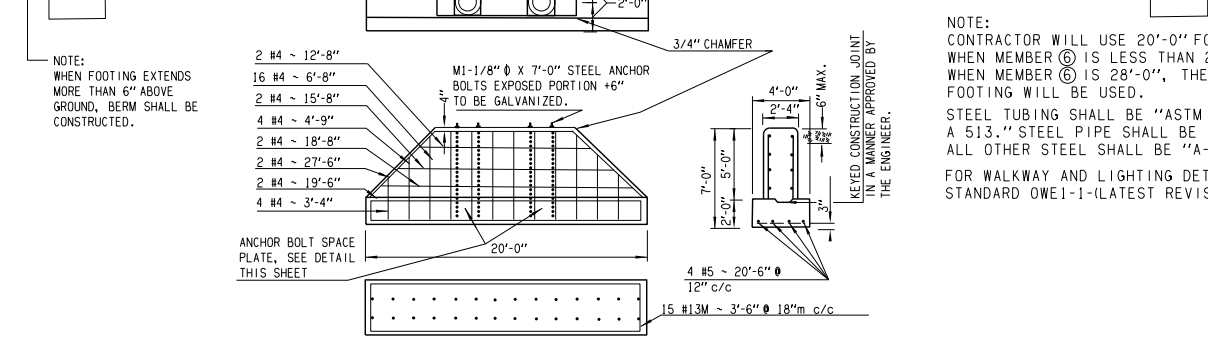


NOTE: INSTALL HANDHOLES & CONDUIT ON EACH SIDE OF STRUCTURE UNLESS OTHERWISE SPECIFIED.

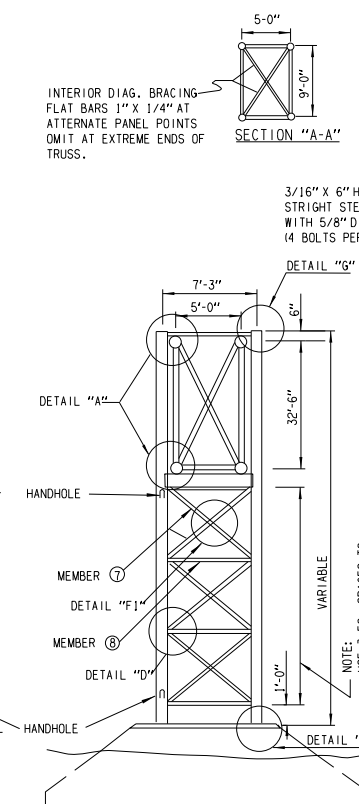
NOTE: FOR OVERHEAD WALKWAY & ELECTRICAL DETAILS, SEE STANDARD ONEI-1-LATEST REVISION.

PANELS SHALL BE IN 30'-0" AND/OR 20'-0" AND/OR LENGTHS. MAXIMUM NUMBER OF 30'-0" PANELS SHALL BE USED.

CL. "A" CONC. = 12.40 CY  
REINF. STEEL = 332 LBS



CL. "A" CONC. = 13.94 CY  
REINF. STEEL = 371 lbs.

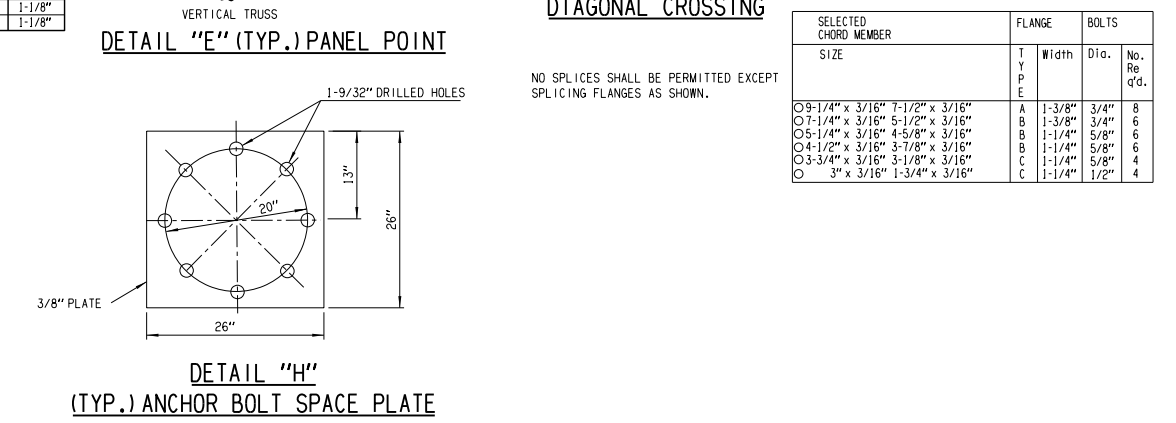
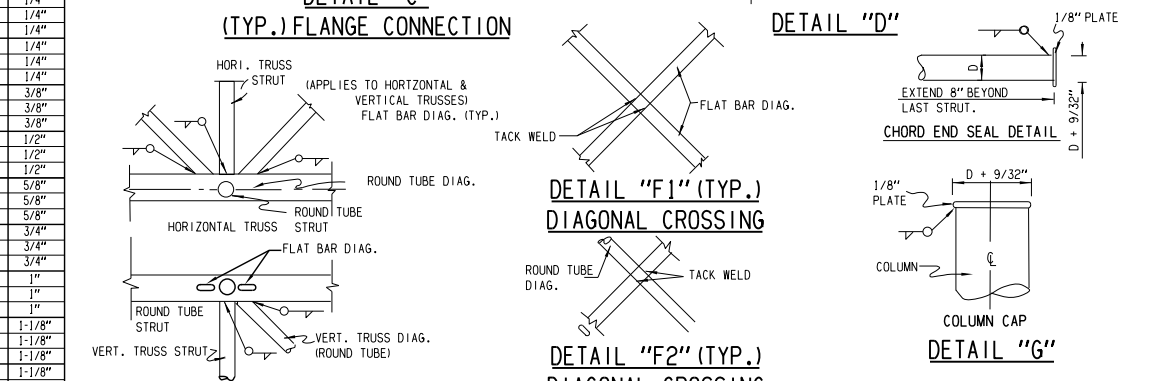
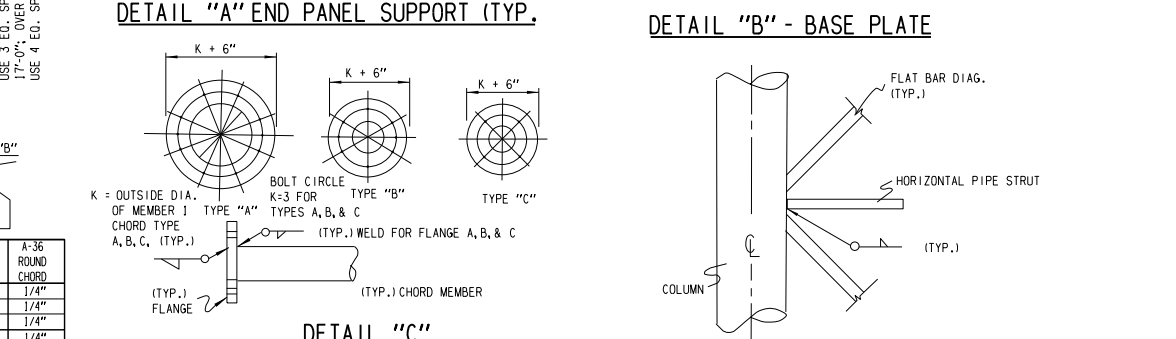
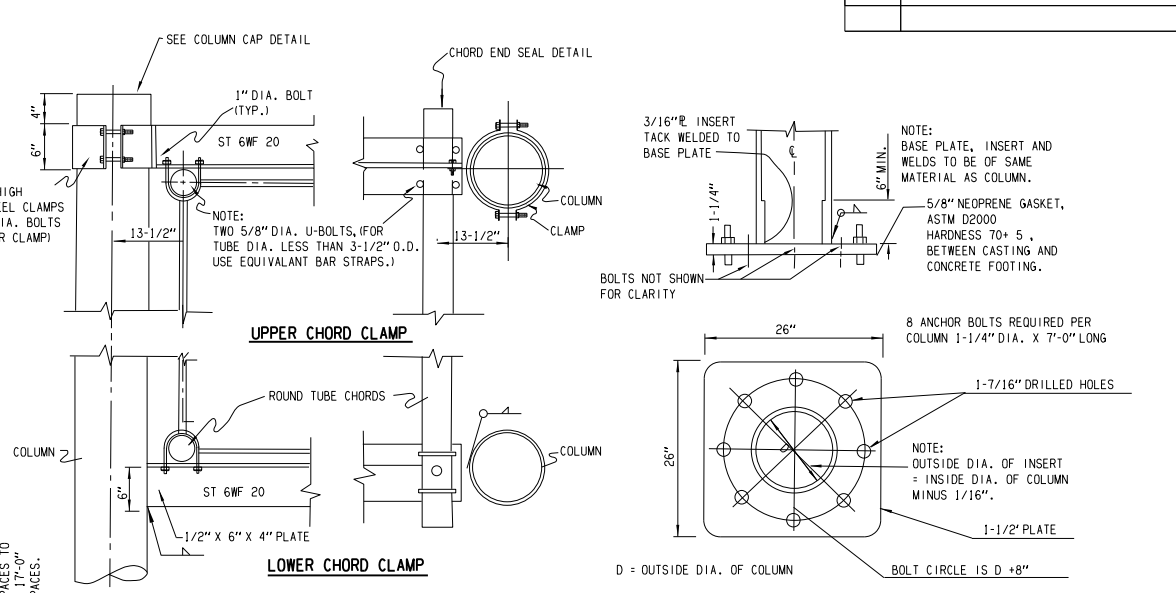


TRUSS SPAN	L/1000	WIND K Po	A-36 ROUND CHORD
36	11	1.44	1 1/4"
		1.92	1 1/4"
		2.39	1 1/4"
48	15	1.44	1 1/4"
		1.92	1 1/4"
		2.39	1 1/4"
60	18	1.44	1 1/2"
		1.92	1 1/2"
		2.39	1 1/2"
72	22	1.44	3/8"
		1.92	3/8"
		2.39	3/8"
84	26	1.44	1/2"
		1.92	1/2"
		2.39	1/2"
96	29	1.44	5/8"
		1.92	5/8"
		2.39	5/8"
108	33	1.44	3/4"
		1.92	3/4"
		2.39	3/4"
120	37	1.44	1"
		1.92	1"
		2.39	1"
132	40	1.44	1-1/8"
		1.92	1-1/8"
		2.39	1-1/8"
144	44	1.44	1-1/8"
		1.92	1-1/8"
		2.39	1-1/8"

ALL A-53 GRADE B STEEL TUBING

MEMBER NUMBER	MEMBER SIZE "C"	MEMBER SIZE "C"
1	UP TO 140'-0"	OVER 140'-0"
2	7-1/2" x 1/4"	FOR STRUCTURES OVER 40' CONTRACTOR SHALL SUBMIT SHOP DRAWING FOR APPROVAL
3	1-1/4" x 3/16"	
4	2-1/2" x 5/16"	
5	2-1/4" x 3/16"	
6	1-3/4" x 3/8"	
7	12" @ 43.77 LBS.	
8	2" x 7/16" *	*
9	2" x 1/4" *	*

\* A-36 STEEL B OR    Ⓞ EXTRA STRENGTH PIPE



SELECTED CHORD MEMBER	FLANGE	BOLTS
SIZE	TYP	NO. REQ.
○ 9-1/4" x 3/16"	A 1-3/8"	3/4" 8
○ 7-1/4" x 3/16"	B 1-3/8"	3/4" 6
○ 5-1/4" x 3/16"	B 1-1/4"	5/8" 6
○ 4-1/2" x 3/16"	B 1-1/4"	5/8" 6
○ 3-3/4" x 3/16"	C 1-1/4"	5/8" 4
○ 3" x 3/16"	C 1-1/4"	1/2" 4

**OVERHEAD SIGN STRUCTURE  
C-1 DETAIL  
(GALVANIZED STEEL)**

Drawn	JEK	7/16
Design	JEK	7/16
Checked	JS	7/16
MAINTENANCE ITS GROUP JARED SCHWENNESEN		
STATE OF OKLAHOMA	DEPARTMENT OF TRANSPORTATION	
DIVISION 8	STATE JOB NO. 21899(04)	SHEET NO. ITS-17

TULSA & ROGERS COUNTIES