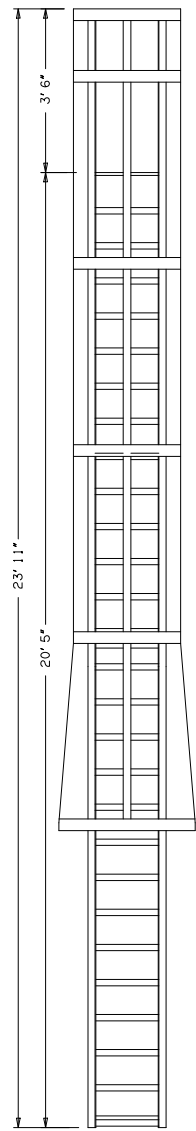
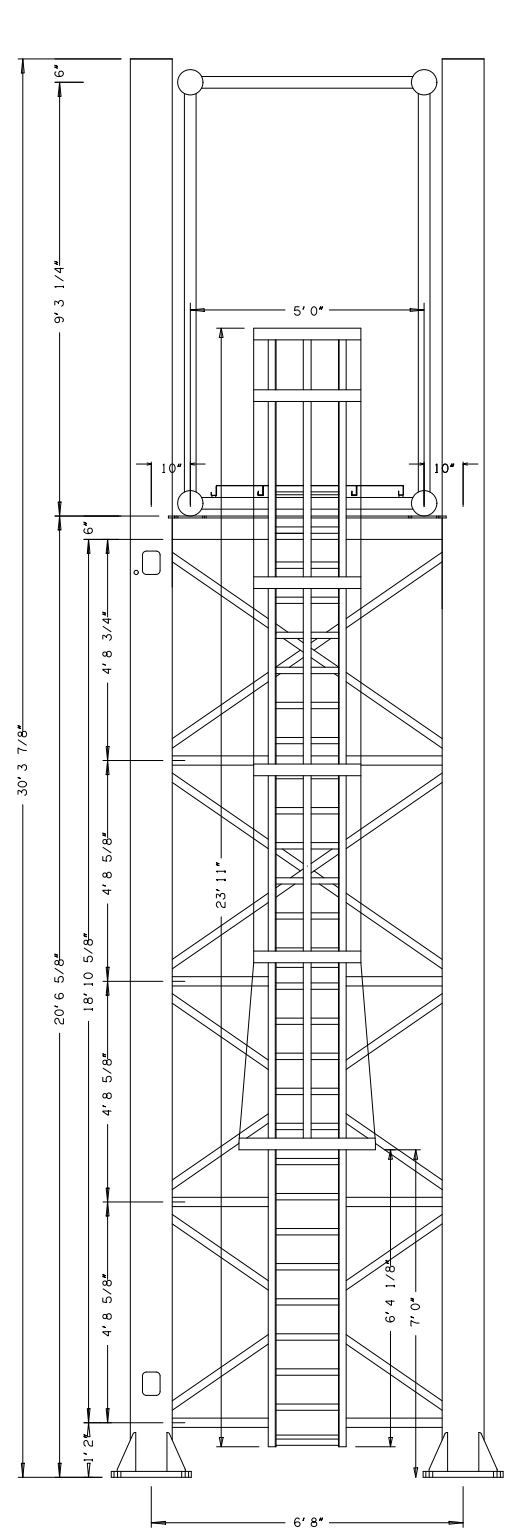
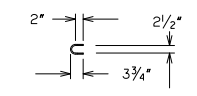
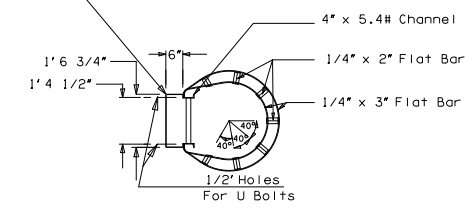


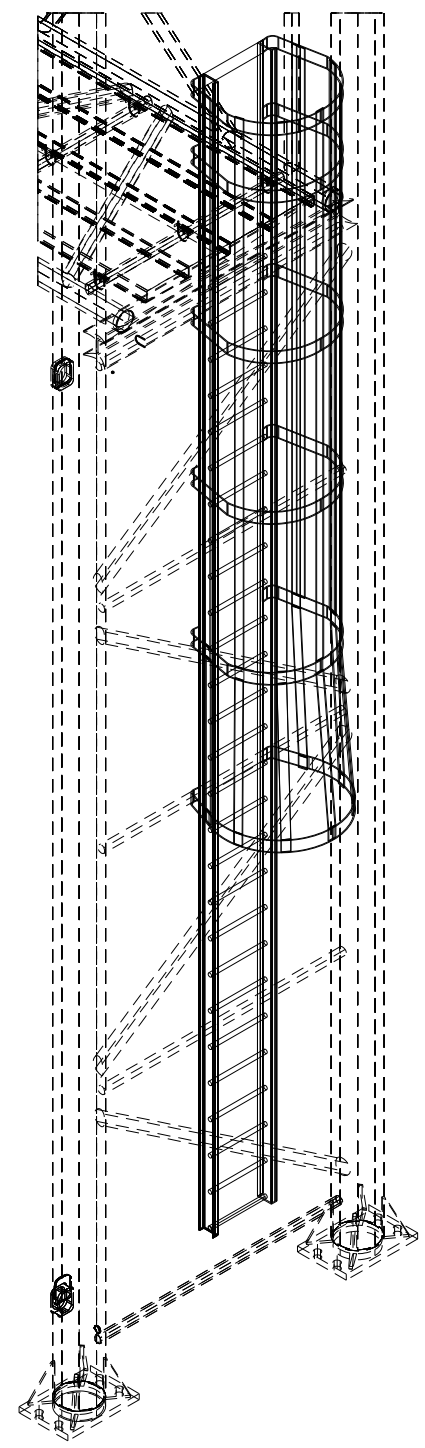
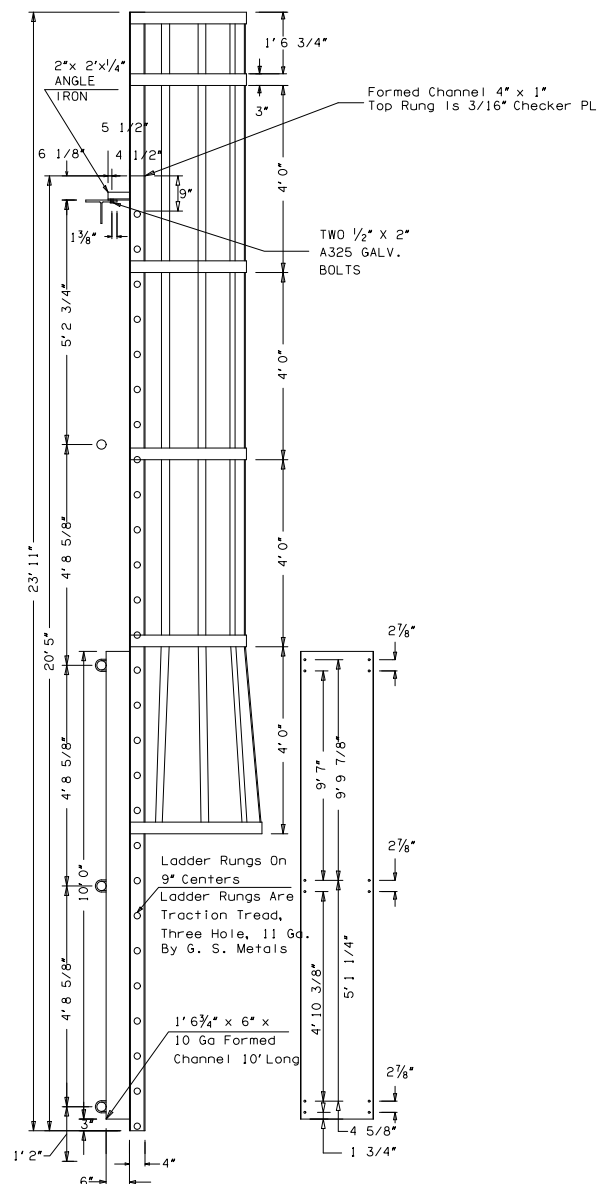
REV. NO.	DESCRIPTION	REVISIONS	DATE
1	SHEET ADDED		8/22/16



1' 6 3/4" x 6" x 10 Ga. Formed Channel 10' Long Welded To 4" Channel



Six 3/8" S.S. U Bolts Req. Ea. Ladder



- GENERAL NOTE:
- 1 ALL CONNECTIONS TO BE WELDED WITH 3/16" WELD, UNLESS OTHERWISE NOTED. ALL MATERIALS AND WELDING PROCEDURES PER O.D.O.T. 1999 STANDARD SECTION T20 HOT-DIPPED GALVANIZED AFTER FABRICATION TO A.S.T.M 123 STANDARD.
 - 2 THE RELOCATED LADDER REFERENCED ON SHTS ITS4 & ITS6 MAY NEED TO BE MODIFIED TO FIT THE RELOCATED STRUCTURE.

DMS LADDER DETAIL		Drawn	JEK	7/16
		Design	JEK	7/16
(RELOCATED TYPE "C" STRUCTURE)		Checked	JS	7/16
		MAINTENANCE / ITS GROUP JARED SCHWENNESEN		
STATE OF OKLAHOMA	DEPARTMENT OF TRANSPORTATION	DIVISION 8 21899(04) SHEET NO. ITS-13		