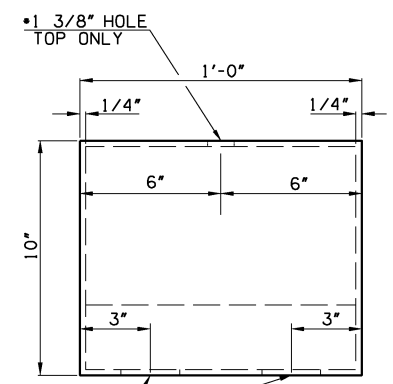
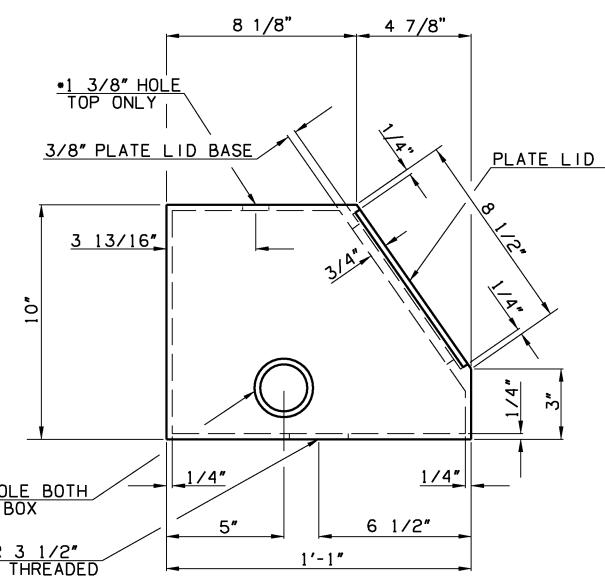


SECTION A-A



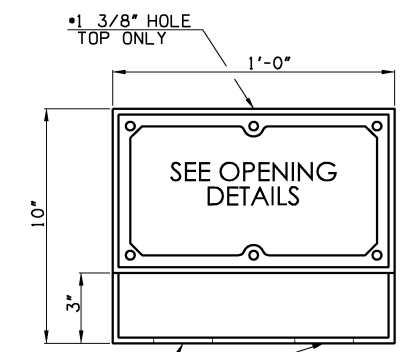
•TWO 2 1/2" OR 3 1/2" KNOCKOUTS OR THREADED PLUGS FOR SERVICE LEAD CONDUITS AS REQUIRED WHERE SHOWN ON PLANS.

BACK ELEVATION



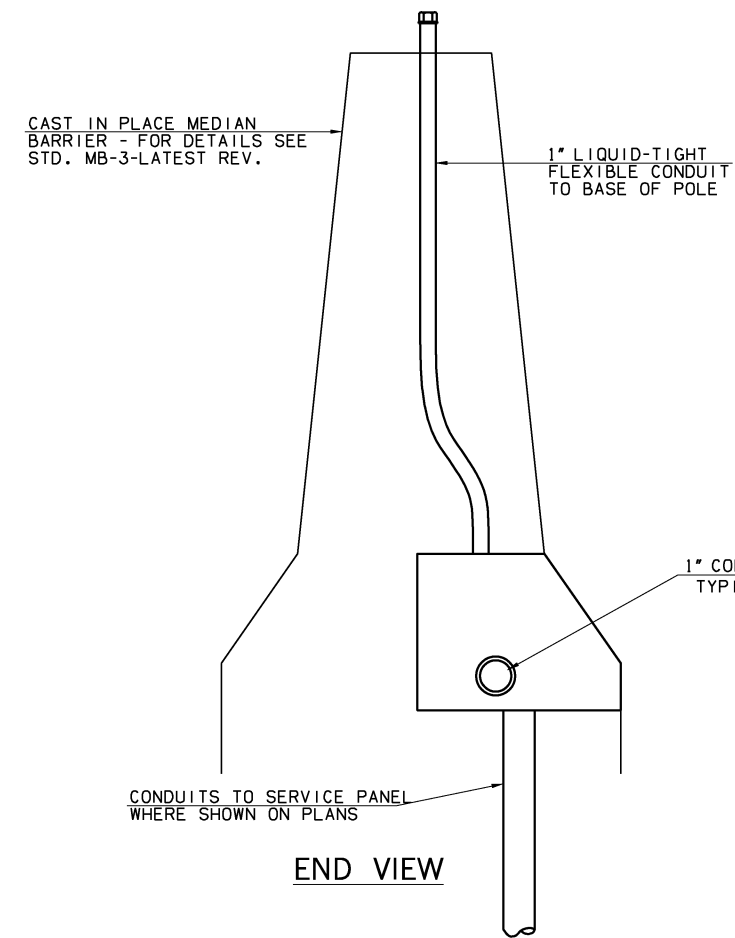
•TWO 2 1/2" OR 3 1/2" KNOCKOUTS OR THREADED PLUGS FOR SERVICE LEAD CONDUITS AS REQUIRED WHERE SHOWN ON PLANS.

END ELEVATION



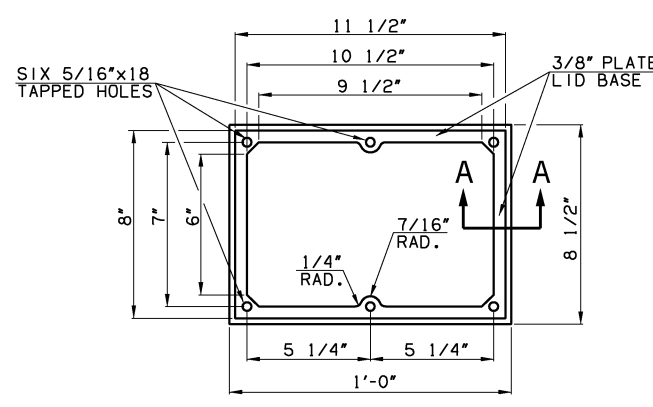
•TWO 2 1/2" OR 3 1/2" KNOCKOUTS OR THREADED PLUGS FOR SERVICE LEAD CONDUITS AS REQUIRED WHERE SHOWN ON PLANS.

FRONT ELEVATION

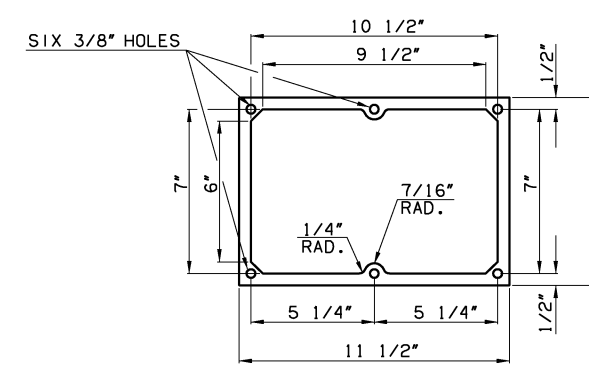


END VIEW

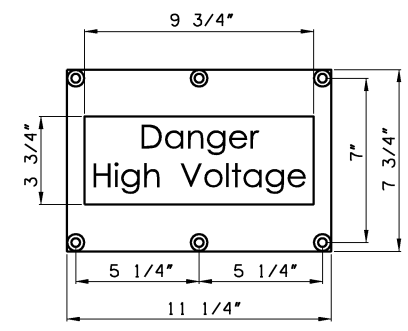
MEDIAN BARRIER PULL BOX



OPENING DETAILS

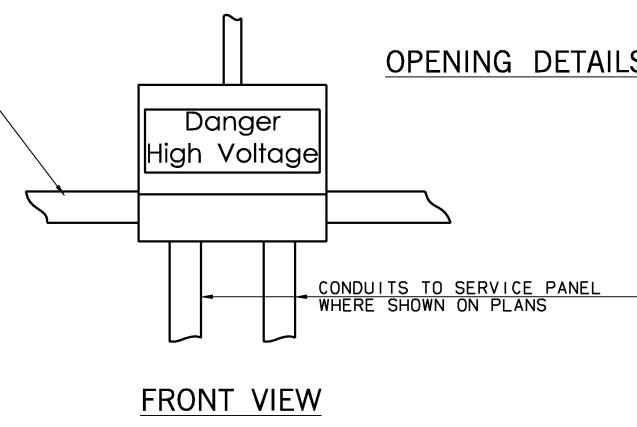


1/8" SOFT NEOPRENE GASKET DETAIL



** 1/4" PLATE LID DETAIL

**REQUIRES:
SIX 5/16" FLAT HEAD SCREWS (SOCKET ALLEN STAINLESS STEEL)
SIX 7/16" HOLES C.S. FOR 5/16" FLAT HEAD SCREWS
YELLOW DECAL WITH BLACK LETTERING



FRONT VIEW

CONSTRUCTION NOTES:

ALL STEEL TO BE 1/4" ASTM A-36 UNLESS NOTED HOT DIP GALV. TO AASHTO M 111 M & M 111-03; ASTM A 123 & A 123M-01
ALL SHOP & FIELD WELDING WILL BE CONTINUOUS AND SHALL CONFORM TO ODOT STANDARD SPECIFICATIONS SECTION 724.03

NOTE: AS AN OPTION THE CONTRACTOR MAY SUBMIT FOR APPROVAL A MEDIAN BARRIER PULL BOX WITH SIMILAR DIMENSIONS MADE OF POLYMER CONCRETE.

• HOLES NOT NEEDED AT A PARTICULAR LOCATION SHALL NOT BE KNOCKED OUT OR SHALL BE PLUGGED WITH A THREADED GALVANIZED PLUG. (SEE PLAN SHEETS)

BASIS OF PAYMENT		
ITEM NO.	ITEM	UNIT
803	(PL) PULL BOX	EA.

DESIGN	SFF	2/15	TULSA & ROGERS COUNTIES
DRAWN	SFF	2/15	
CHECKED	SFF	2/15	
APPROVED			
SQUAD	GARVER	STATE JOB NO. 21899(04)	SHEET NO. 228

LIGHTING DETAILS
(SHEET 3 OF 3)