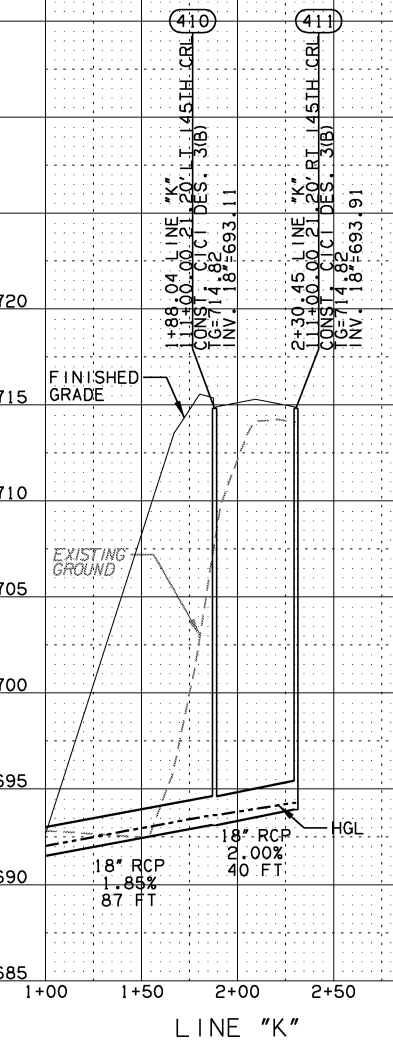
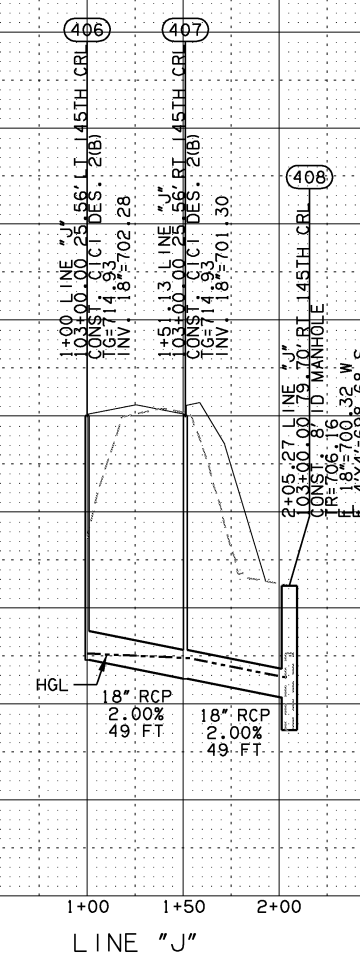
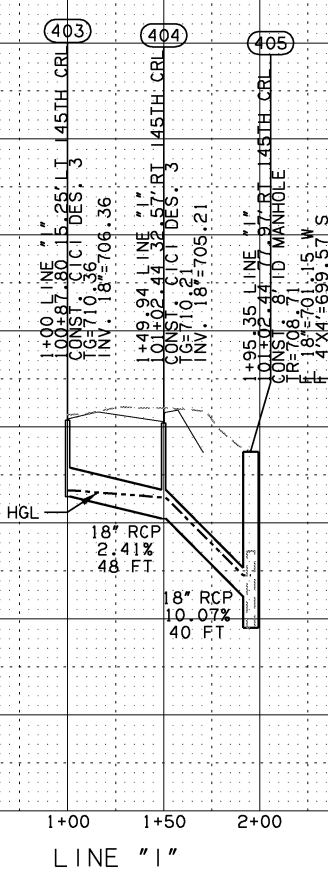


SCALE:  
HORIZ.: 1"=50'  
VERT.: 1"=5'



145TH E. AVE.

DESIGN	AKS	2/13	TULSA & ROGERS COUNTY
DRAWN	AKS	2/13	
CHECKED	KMM	6/16	
APPROVED			
SQUAD	<b>GARVER</b>	STATE JOB NO. 21899(04)	SHEET NO. 144

STORM SEWER PROFILE  
(SHEET 7 OF 9)