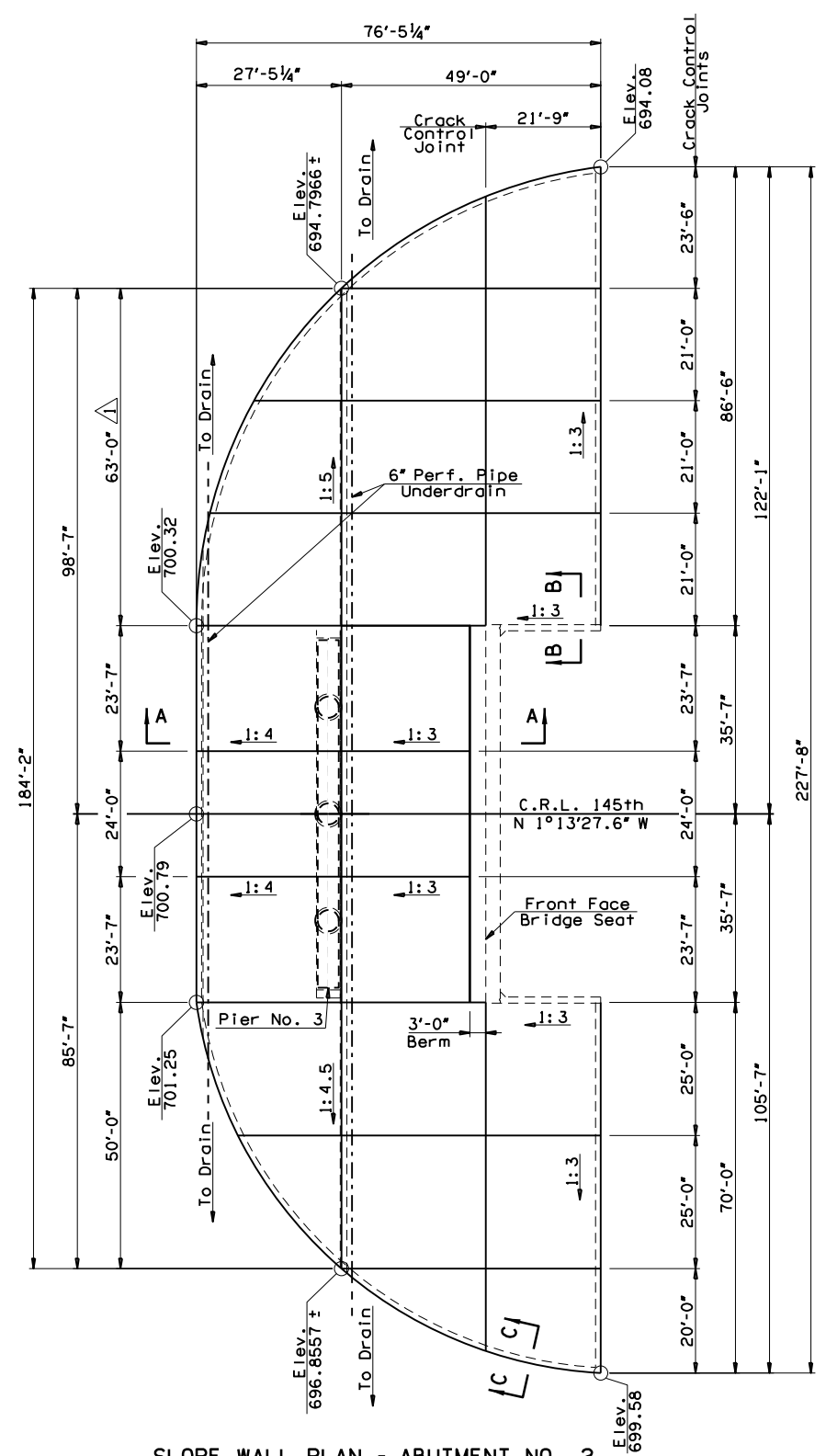
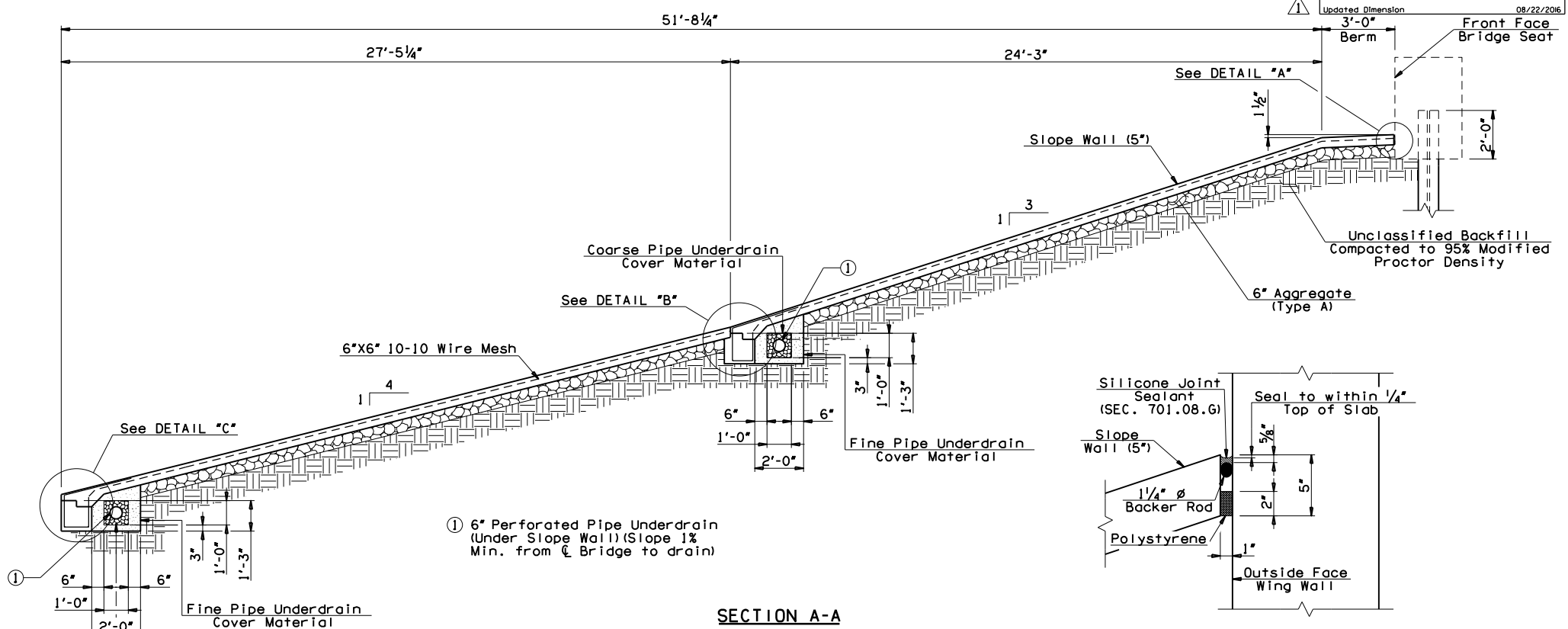


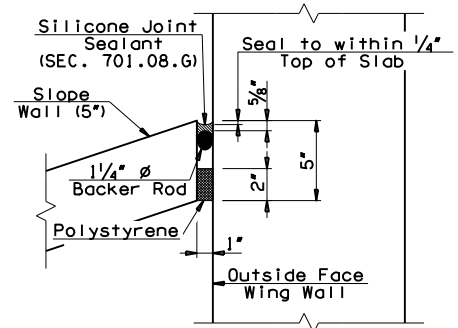
OKLAHOMA DEPARTMENT OF TRANSPORTATION					
FED. ROAD DIST. NO.	STATE	JOB PIECE NO.	FISCAL YEAR	SHEET NO.	TOTAL SHEETS
6	OKLA.	21899(04)			
DESCRIPTION		REVISIONS	DATE		
Updated Dimension			08/22/2016		



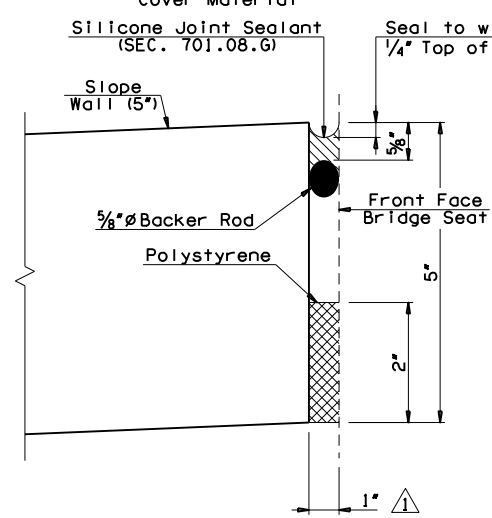
LEGEND
 6" Perf. Underdrain - - - - -
 6" Non-Perf. Underdrain - - - - -



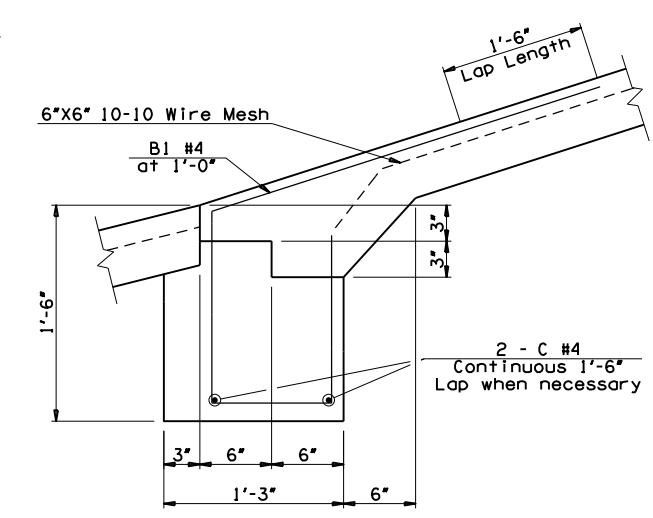
SECTION A-A



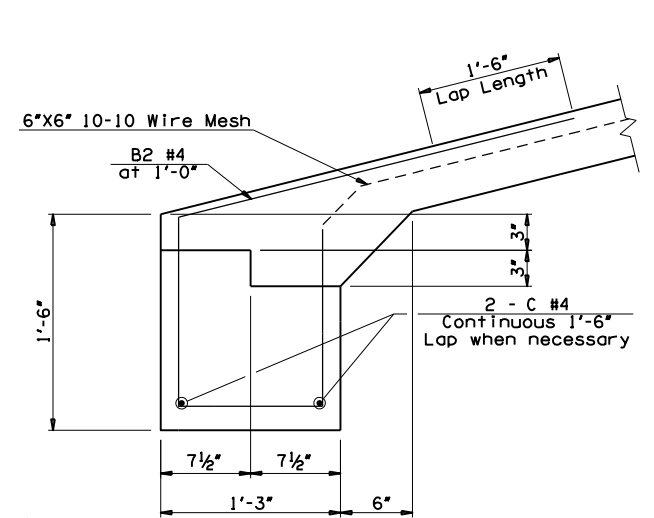
SECTION B-B



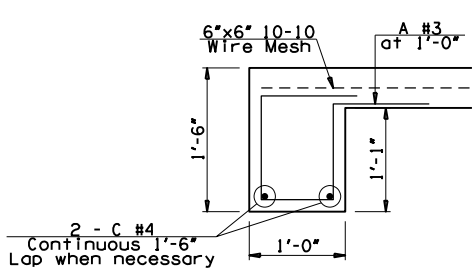
DETAIL A



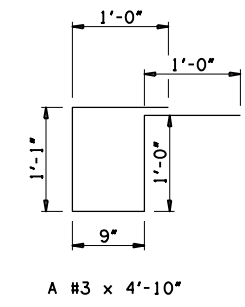
DETAIL B



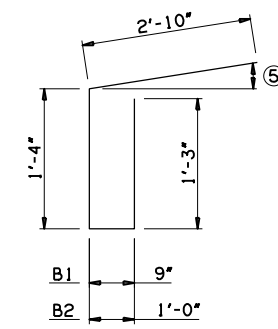
DETAIL C



SECTION C-C



A #3 x 4'-10"



B1 #4 x 6'-2"
 B2 #4 x 6'-5"
 Match slope of ⑤ Slope Wall.

NOTES:
 For Summary of Quantities See Sheet No. 126

145TH OVER I-44 BRIDGE 'A'	TULSA & ROGERS COUNTIES	DESIGN JMO 3/14
		DETAIL SJL 3/14
		CHECK MJY 10/14
SLOPE WALL DETAILS (SHEET 2 OF 2)		
GARVER		

STATE OF OKLAHOMA	DEPARTMENT OF TRANSPORTATION
JOB PIECE NO. 21899(04)	SHEET NO. 127