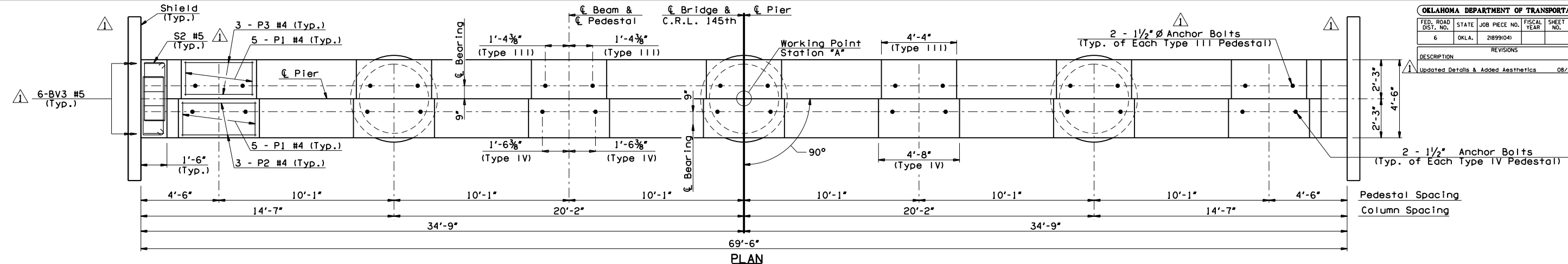
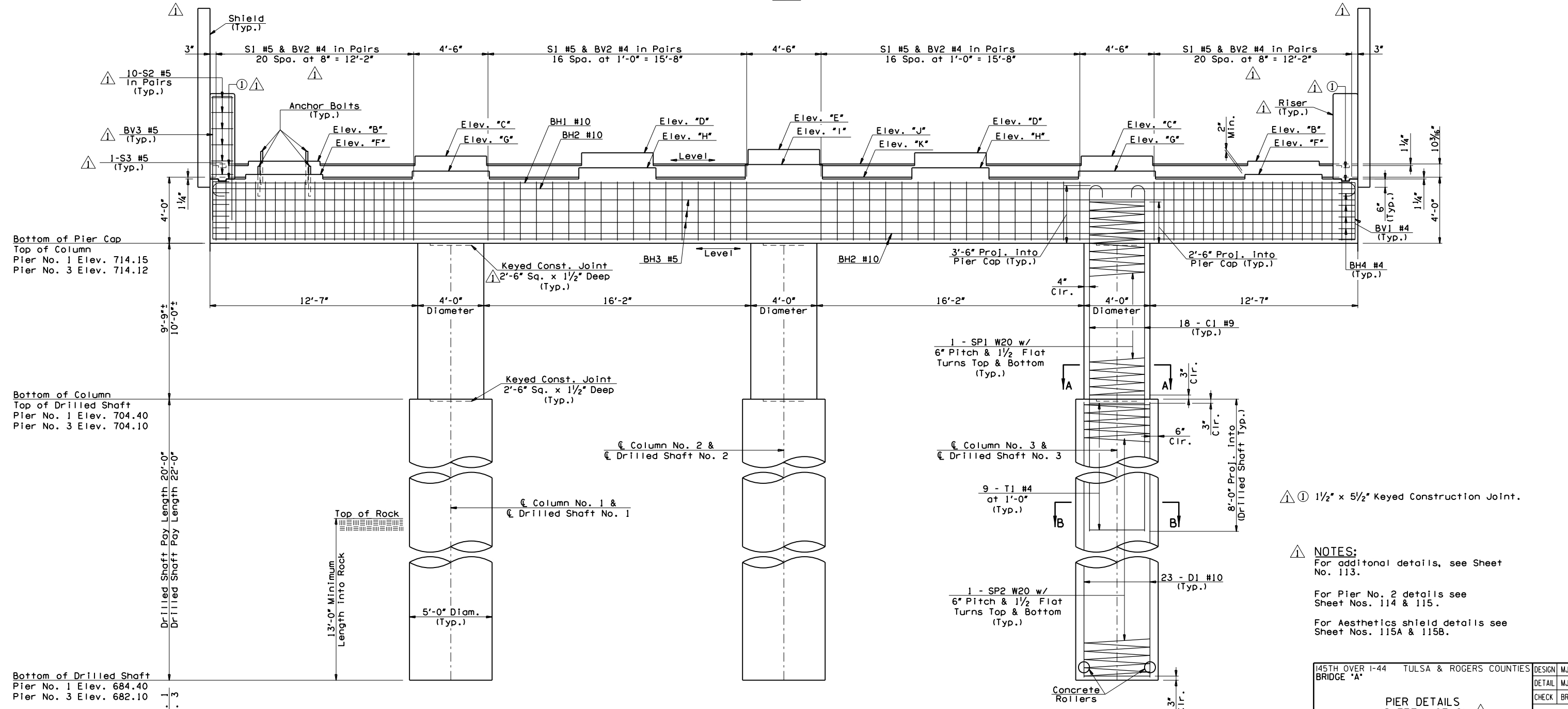


OKLAHOMA DEPARTMENT OF TRANSPORTATION						
FED. ROAD DIST. NO.	STATE	JOB PIECE NO.	FISCAL YEAR	SHEET NO.	TOTAL SHEETS	
6	OKLA.	21899(04)				
DESCRIPTION			REVISIONS	DATE		
Updated Details & Added Aesthetics				08/22/2016		



PLAN



ELEVATION  
(Looking Back Station at Pier No. 1)  
(Looking Forward Station at Pier No. 3)

① 1/2" x 5/2" Keyed Construction Joint.

NOTES:  
For additional details, see Sheet No. 113.  
For Pier No. 2 details see Sheet Nos. 114 & 115.  
For Aesthetics shield details see Sheet Nos. 115A & 115B.

145TH OVER I-44 BRIDGE 'A'	TULSA & ROGERS COUNTIES	DESIGN M J Y 1/13
PIER DETAILS (SHEET 1 OF 6)		DETAIL M J Y 1/13
		CHECK B R T 2/13
<b>GARVER</b>		
STATE OF OKLAHOMA	DEPARTMENT OF TRANSPORTATION	
JOB PIECE NO. 21899(04)	SHEET NO. 112	