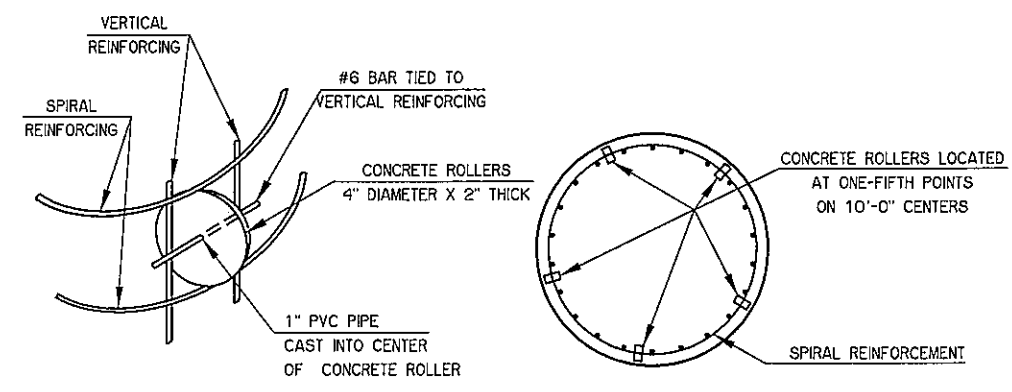


**SPIRAL REINFORCING SPLICE DETAIL**

NOTE: SPIRAL BAR LENGTH QUANTITY DOES NOT INCLUDE LAP. IF LAP IS REQUIRED, THE LENGTH OF THE LAP SHALL BE AS SHOWN.

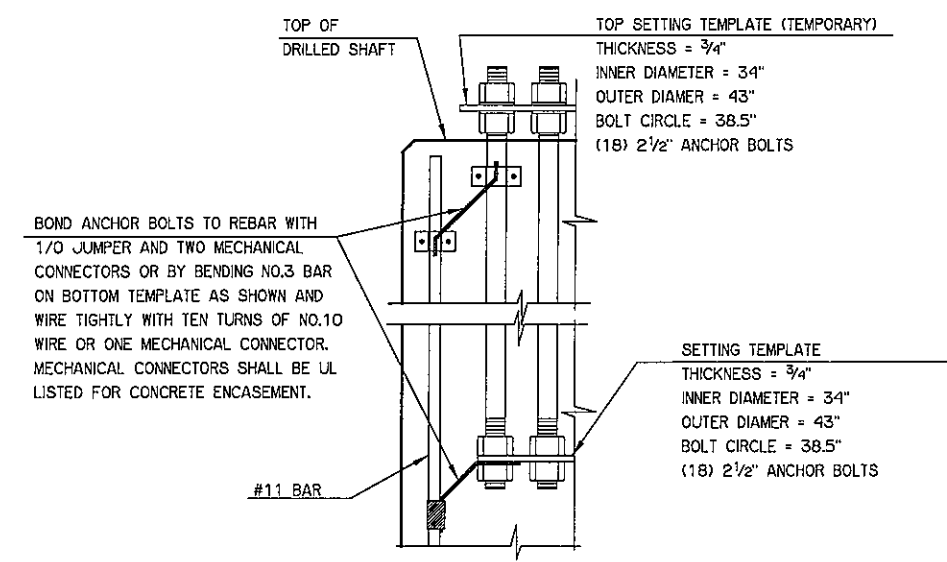


**ROLLER INSTALLATION**

**ROLLER PLACEMENT**

**DETAIL OF CONCRETE ROLLERS**

NOTE: CONCRETE USED IN THE CONCRETE ROLLERS SHALL HAVE A MINIMUM 28 DAY COMPRESSIVE STRENGTH OF 4,000 P.S.I. SLAB BOLSTERS, HIGH CHAIRS, AND PLASTIC ROLLERS SHALL NOT BE SUBSTITUTED FOR THE CONCRETE ROLLERS.



**ANCHOR BOLT TEMPLATE AND LIGHTING PROTECTION SYSTEM**

MONOTUBE STRUCTURE (DRILLED SHAFT DETAILS) (SHEET 3 OF 3)		Design	JG	JW
		Detail	JG	JW
STATE OF OKLAHOMA DEPARTMENT OF TRANSPORTATION JOB FILE NO. 14999(04)		Check	JG	JW
		Squad Supervisor Engr. ENGINEER		
SHEET NO. M7				