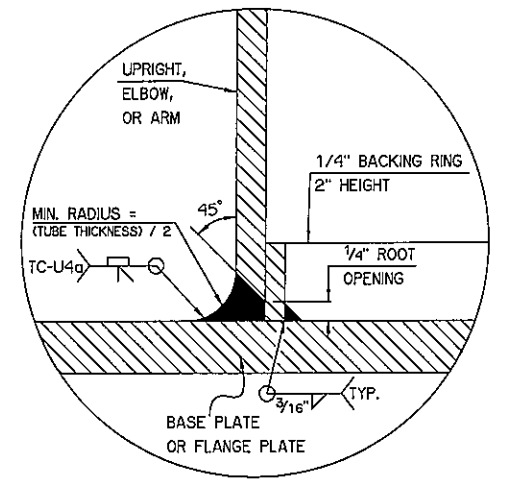
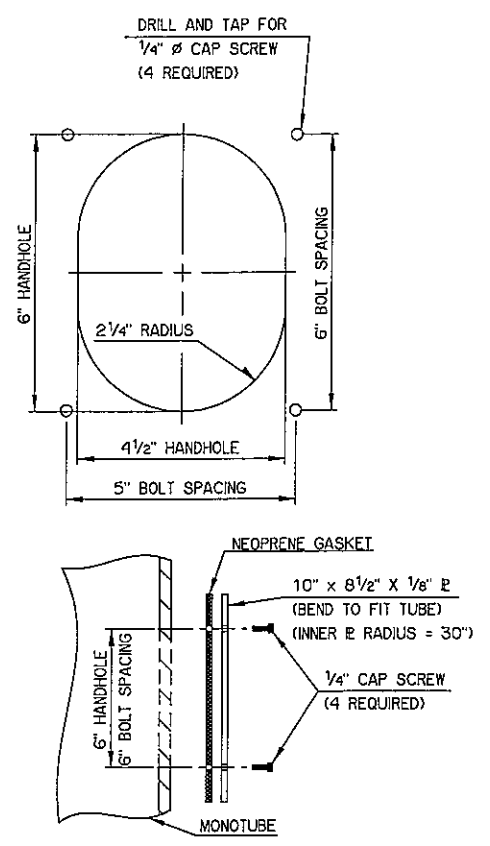


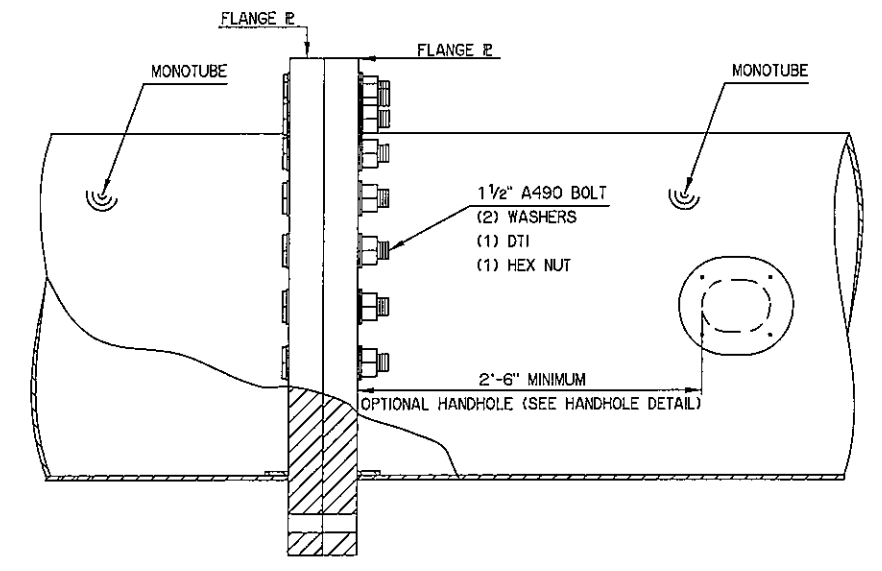
TUBE-TO-TRANSVERSE-PLATE DETAIL (TYPICAL)
(DETAIL TYPICAL FOR BASE AND FLANGE PLATES)



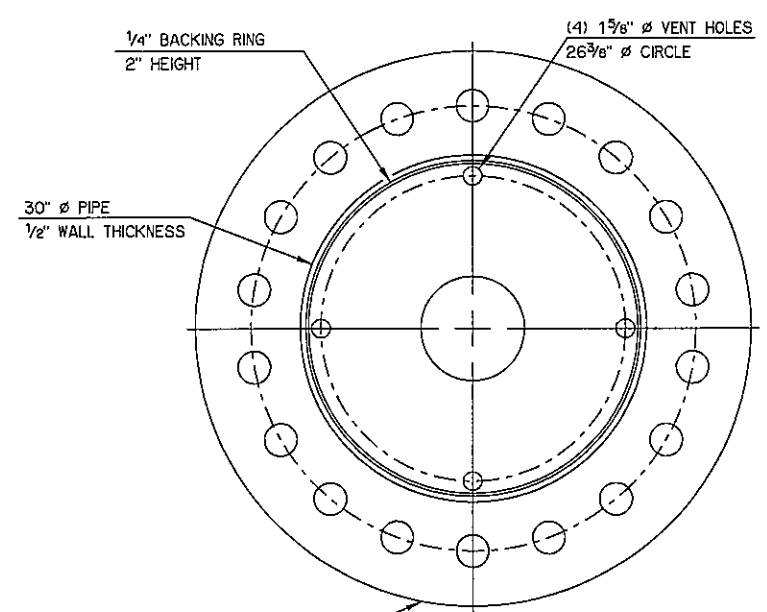
DETAIL 'A'



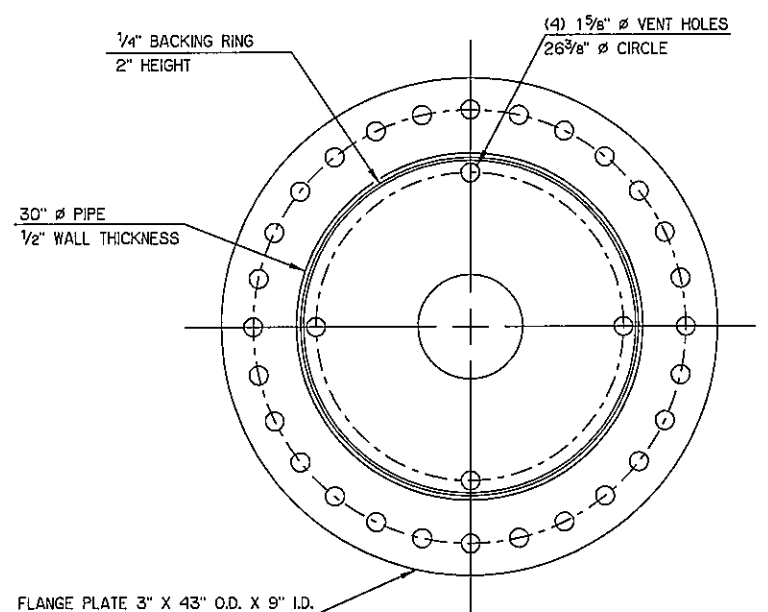
HANDHOLE DETAIL (OPTIONAL)



TYPICAL FLANGE CONNECTION DETAIL
NOTE: OPTIONAL HANDHOLES FOR TYPE 'C' STRUCTURES SHOULD BE POSITIONED ON THE DOWN TRAFFIC FACE OF THE TUBE.



BASE PLATE
BASE PLATE 4\"/>



FLANGE PLATE
FLANGE PLATE 3\"/>

MONOTUBE STRUCTURE (TYPE 'C' DETAILS)		Design	JG	JW
		Detail	JG	JW
STATE OF OKLAHOMA DEPARTMENT OF TRANSPORTATION		Check	JG	JW
		Signed	SUPERVISOR Engr. ENGINEER	
JOB FILE NO. 14999(04)		SHEET NO. M3		