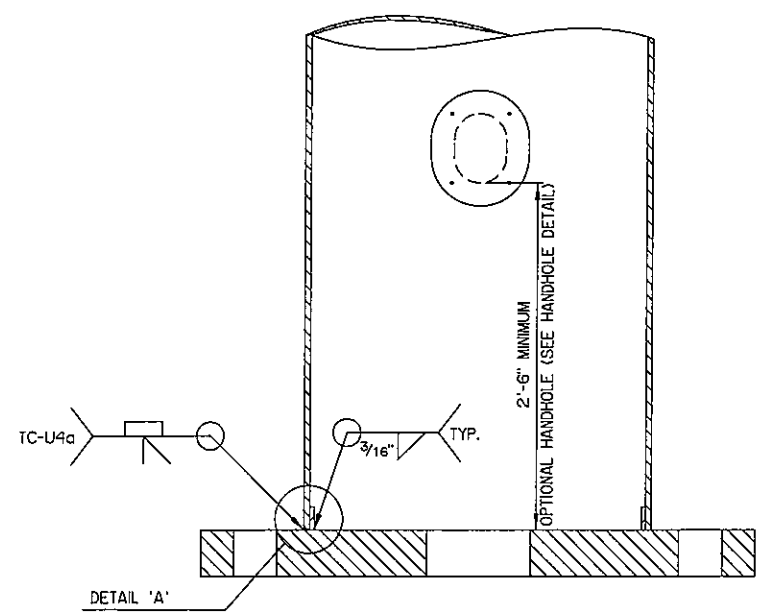
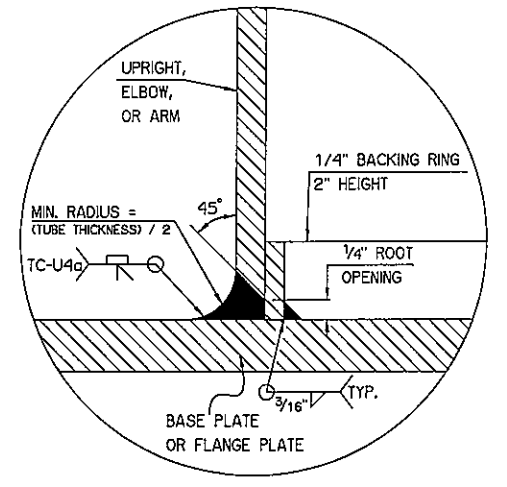


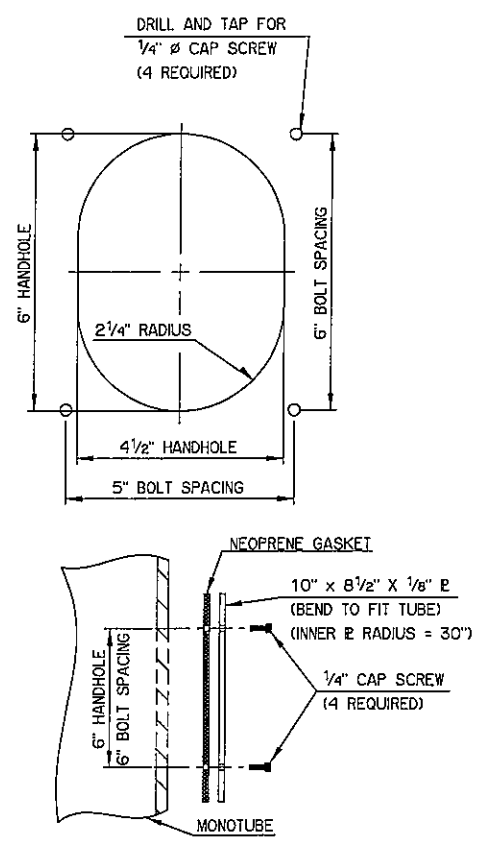
REV. NO.	DESCRIPTION	REVISIONS	DATE



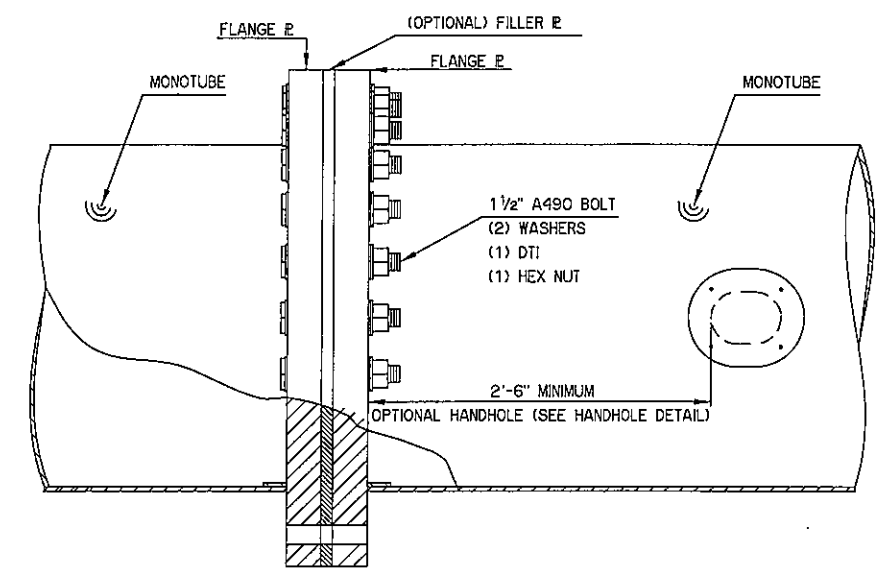
**TUBE-TO-TRANSVERSE-PLATE DETAIL (TYPICAL)**  
(DETAIL TYPICAL FOR BASE AND FLANGE PLATES)



**DETAIL 'A'**



**HANDHOLE DETAIL (OPTIONAL)**

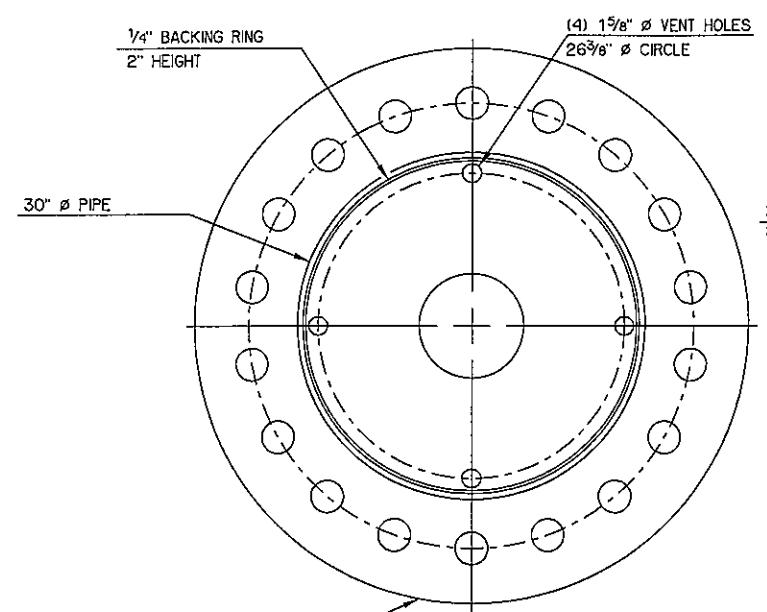


**TYPICAL FLANGE CONNECTION DETAIL**

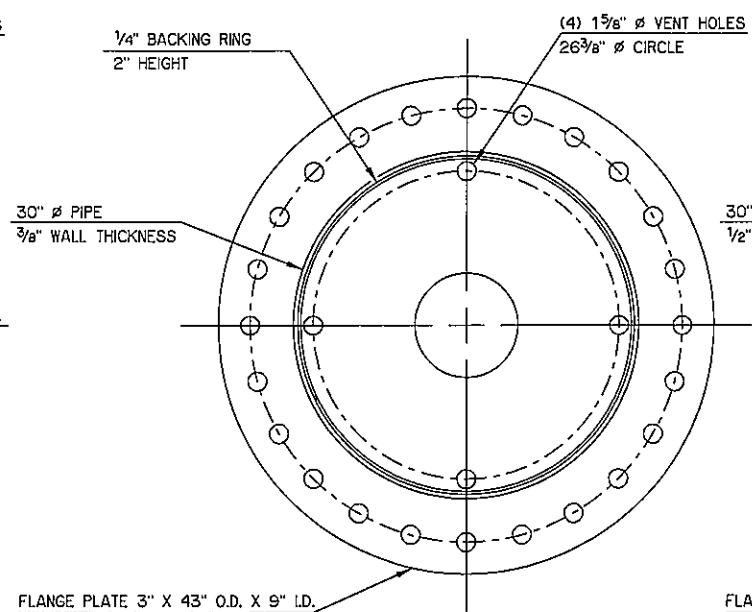
NOTE: OPTIONAL HANDHOLES FOR TYPE 'B' STRUCTURES SHOULD BE POSITIONED ON THE ROADWAY FACE OF THE TUBE.

**OPTIONAL FILLER PLATE NOTE:**

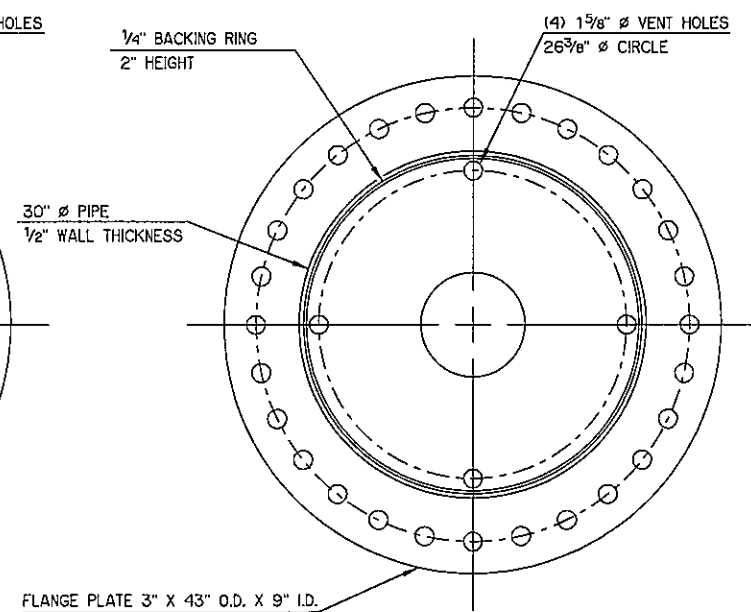
DURING ASSEMBLY OF THE FLANGE CONNECTIONS, THE TWO ADJOINING MEMBERS SHALL NOT BE PULLED TOGETHER AND TIGHTENED IF A GAP OF OVER 1/8" EXISTS. IF A GAP EXCEEDING THIS TOLERANCE IS ENCOUNTERED, THE CONTRACTOR IS PERMITTED TO USE A FILLER PLATE AT A HORIZONTAL MEMBER FLANGE CONNECTION. THE MAXIMUM THICKNESS OF A FILLER PLATE AT ANY SINGLE FLANGE CONNECTION IS 1". IF MORE THAN 1", BUT LESS THAN OR EQUAL TO 6", IS REQUIRED FOR ASSEMBLY THE REQUIRED DIMENSION SHALL BE SEPERATED INTO TWO DIFFERENT FLANGE CONNECTIONS AND THE TWO FLANGE CONNECTIONS SHALL BE LOCATED SYMMETRICALLY ALONG THE TYPE B MONOTUBE STRUCTURE. ADDITION OF FILLER PLATES SHALL BE AT THE COST OF THE CONTRACTOR.



**BASE PLATE**  
BASE PLATE 4" X 48" O.D. X 9" I.D.  
(18) 2 13/16" Ø BOLT HOLES  
BOLT CIRCLE 38 1/2" Ø  
2 1/2" F1554 GR.55 ANCHOR BOLTS



**FLANGE PLATE 'A'**  
FLANGE PLATE 3" X 43" O.D. X 9" I.D.  
(24) 1 5/8" Ø BOLT HOLES  
BOLT CIRCLE 37 1/2" Ø  
1 1/2" A490 BOLTS



**FLANGE PLATE 'B'**  
FLANGE PLATE 3" X 43" O.D. X 9" I.D.  
(28) 1 5/8" Ø BOLT HOLES  
BOLT CIRCLE 37 1/2" Ø  
1 1/2" A490 BOLTS

MONOTUBE SCHEDULE				
SPAN	TUBE DIAMETER (ALL TUBES)	TUBE THICKNESS (ALL TUBES)	BASE #	FLANGE #
70FT - 90FT	30"	3/8"	TYPICAL	A
95FT - 150FT	30"	1/2"	TYPICAL	B

**MONOTUBE STRUCTURE (TYPE 'B' DETAIL)**

Design	JG	JW
Drawn	JG	JW
Check	JG	JW
Squad	SUPERVISOR	
Eng.	ENGINEER	

**STATE OF OKLAHOMA** DEPARTMENT OF TRANSPORTATION  
JOB FILE NO. 14999(04) SHEET NO. M2