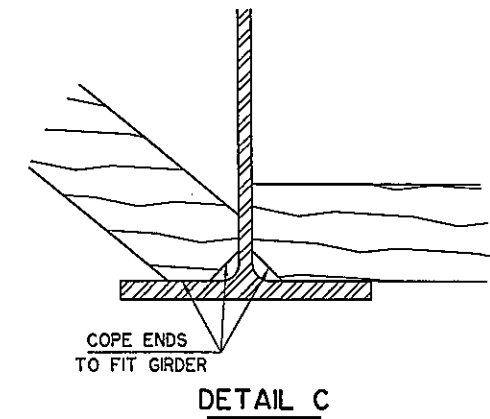
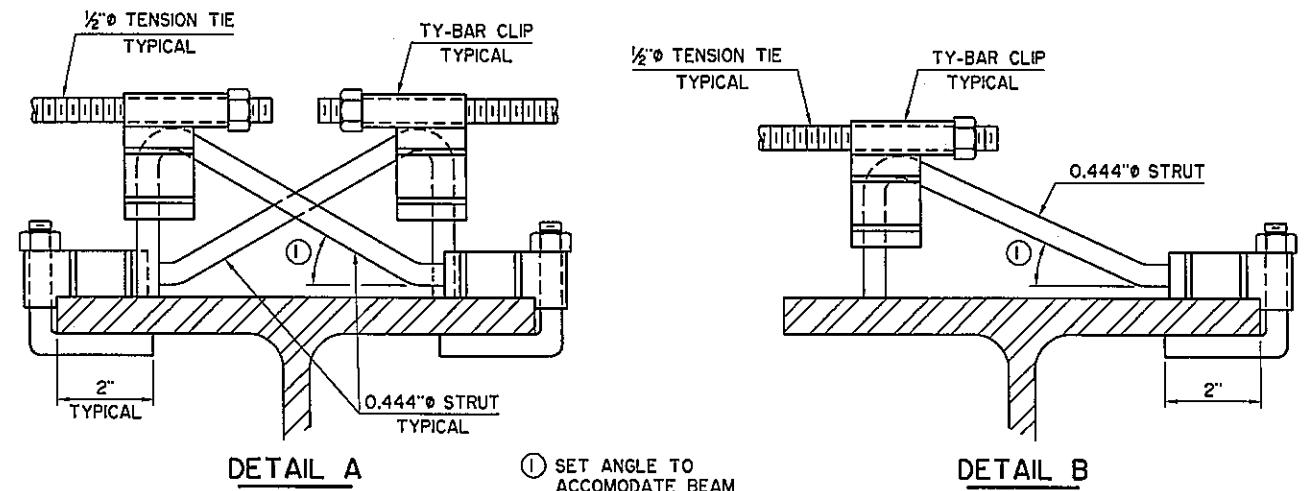


**BEAM BRACING FOR DECK SLAB PLACEMENT**



Design	CEG	<b>U.S. HIGHWAY 69 - McALESTER</b> <b>BEAM BRACING DETAILS</b> <b>AOK RAILROAD</b> <b>BRIDGE "S" NORTHBOUND</b> JOB PIECE NO. 14999(04)
Drawn	KGL	
Checked	ADT	
Approved	CEG	
Squad	WEA	
		SHEET NO. B45