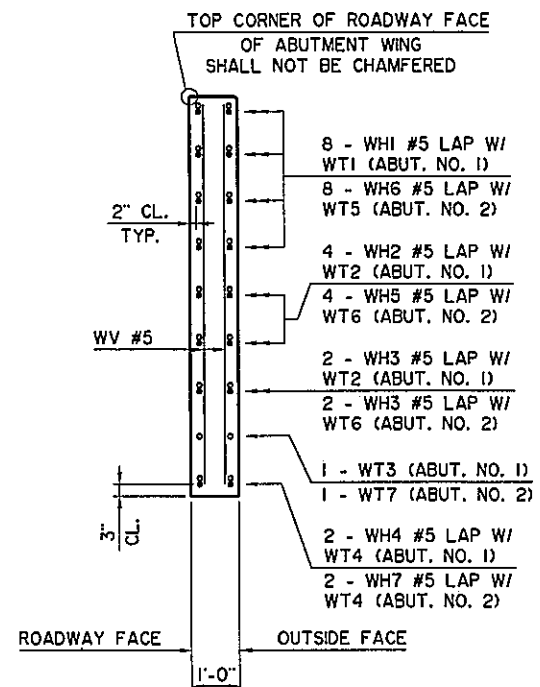
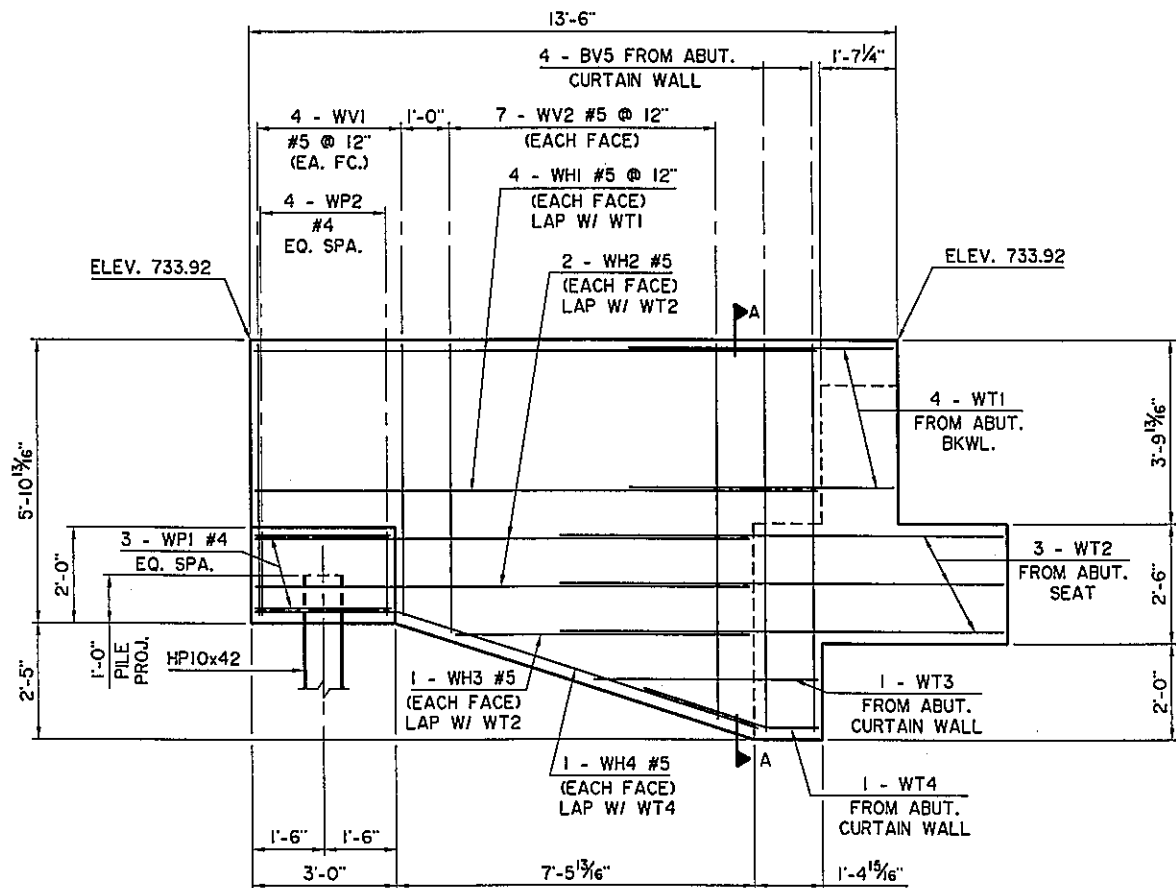


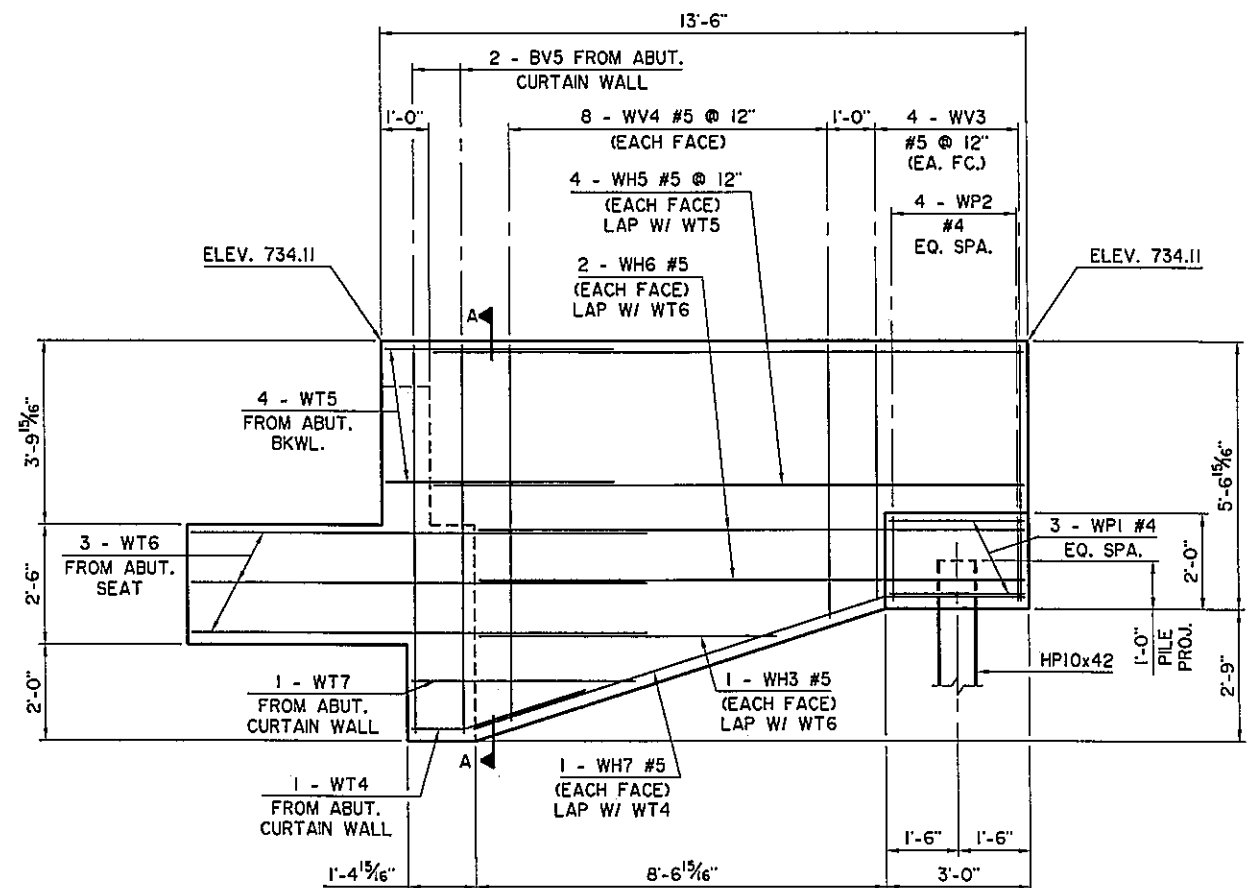
I:\Active\0403\RD\DWG\B33-AbutDtl.dwg, 7/5/2016 8:24:06 AM, Howard



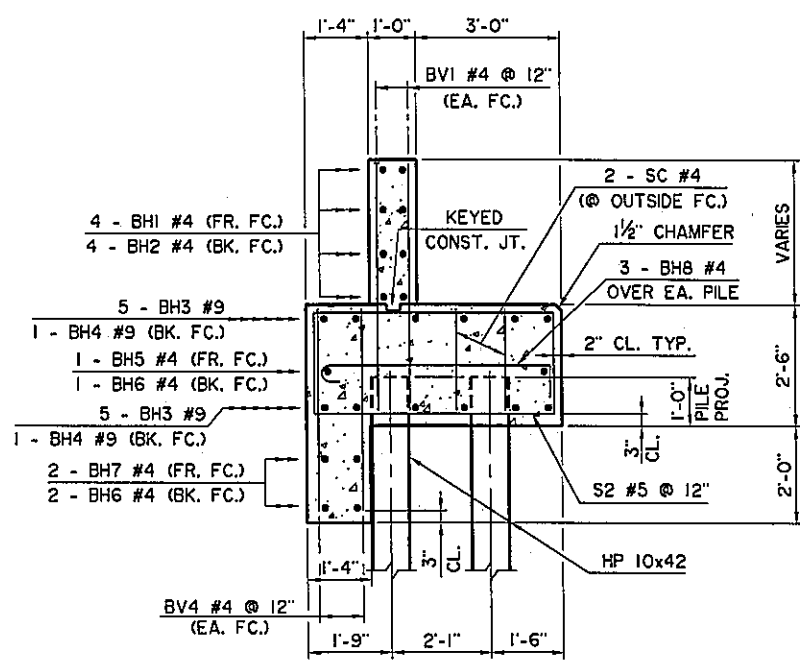
SECTION A-A



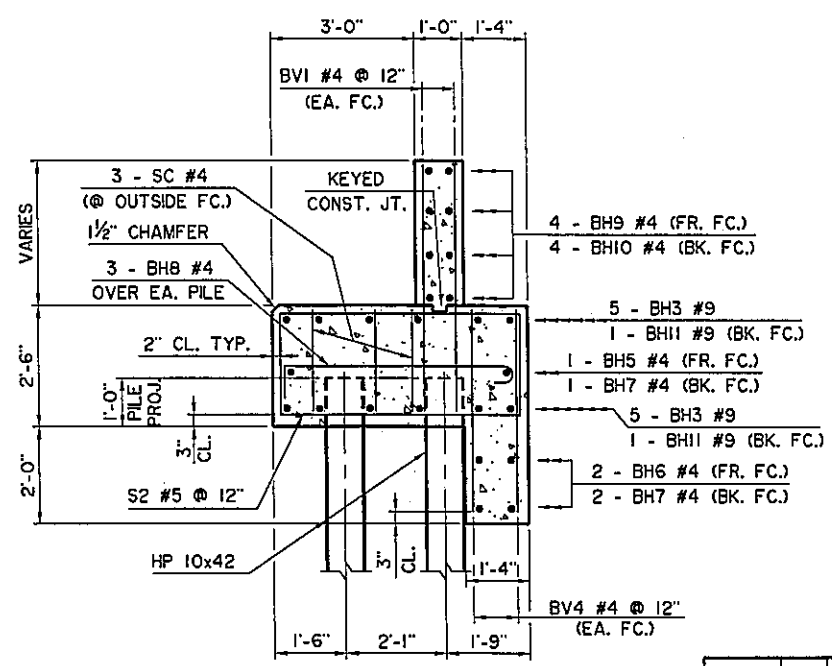
ABUTMENT NO. 1 - WINGWALL



ABUTMENT NO. 2 - WINGWALL



SECTION THRU SEAT
ABUTMENT NO. 1



SECTION THRU SEAT
ABUTMENT NO. 2

Design	TAC		U.S. HIGHWAY 69 - McALESTER ABUTMENT DETAILS AOK RAILROAD BRIDGE "S" NORTHBOUND JOB PIECE NO. 14999(04)
Drawn	HEJ		
Checked	SAS		
Approved	CEG		
Squad	WEA		
			SHEET NO. B33