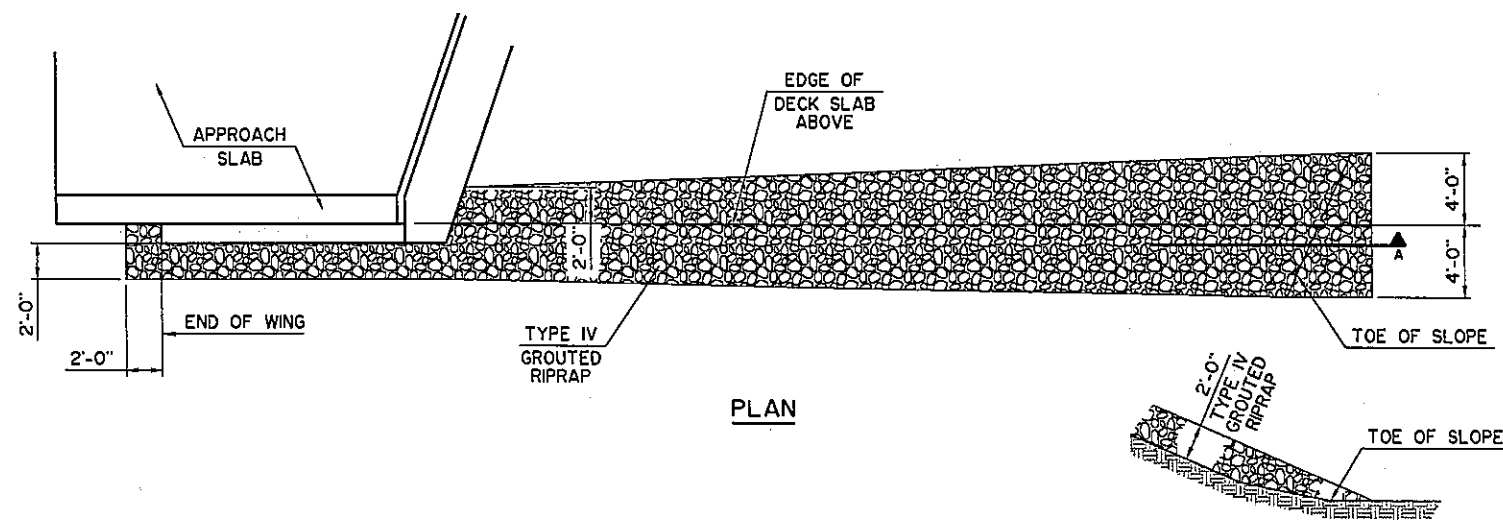


**SUBSTRUCTURE LAYOUT**



**RIPRAP DETAILS**

ABUTMENT NO. 1, BRIDGE "S" SHOWN  
OTHER LOCATIONS SIMILAR

RIPRAP QUANTITIES							
ITEM	UNIT	BRIDGE "S"			BRIDGE "T"		
		ABUTMENT NO. 1	ABUTMENT NO. 2	TOTAL	ABUTMENT NO. 1	ABUTMENT NO. 2	TOTAL
TYPE IV GROUDED RIPRAP	S.Y.	45	45	90	40	35	75

Design	CEG	TAC	<b>U.S. HIGHWAY 69 - McALESTER</b> <b>SUBSTRUCTURE LAYOUT &amp; RIPRAP DETAILS</b> <b>AOK RAILROAD</b> BRIDGE "S" NORTHBOUND, BRIDGE "T" SOUTHBOUND JOB PIECE NO. 14999(04) SHEET NO. B30
Drawn	KGL	HEJ	
Checked	ADT	TAC	
Approved	CEG		
Squad	WEA		

I:\Active\0403\DRR\DWG\B30-SubstrLayout.dwg, 7/6/2016 8:22:56 AM, Howard