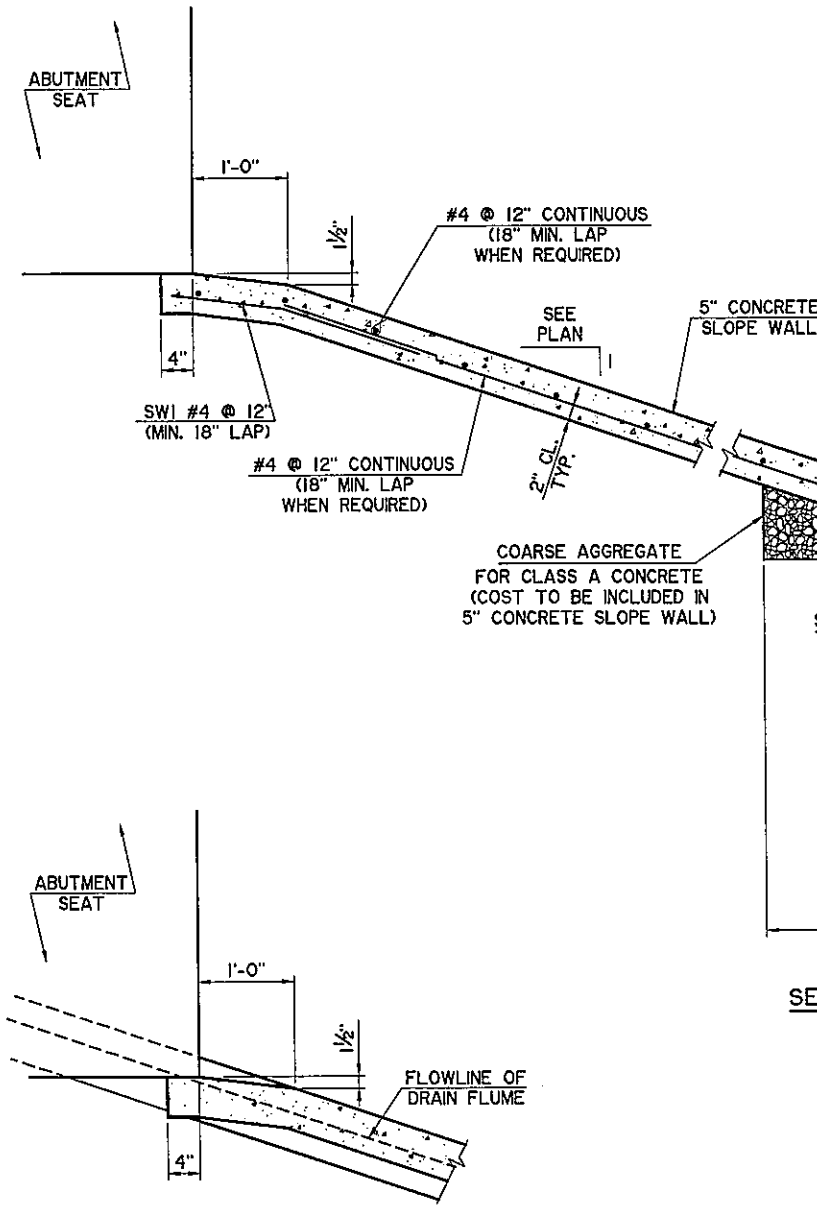
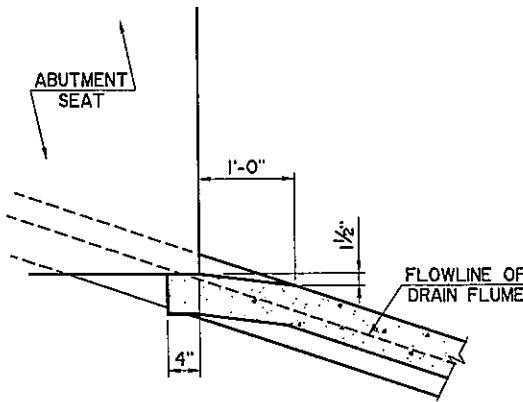


I:\Active\0403A.WYANDOTTEDWG\B25-SLOPEWALL DTL5.dwg, 7/5/2016 3:30:05 PM, Howard

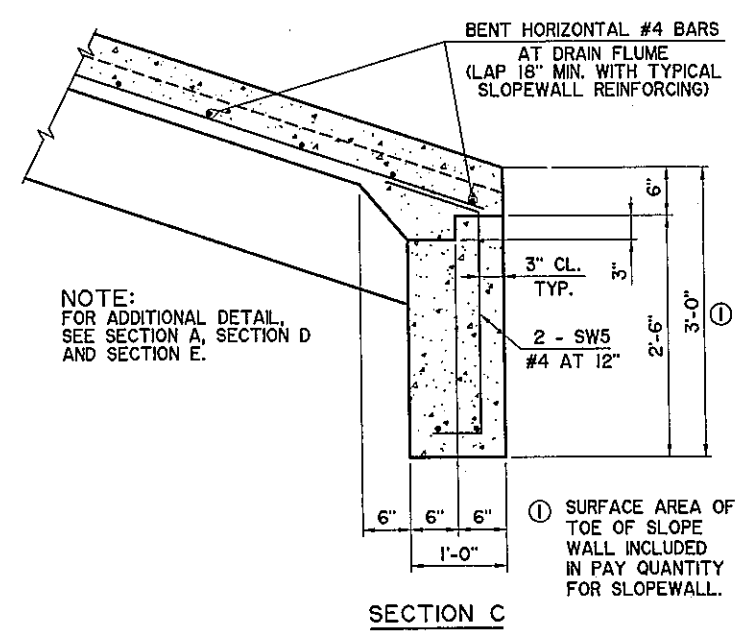


SECTION A



SECTION B

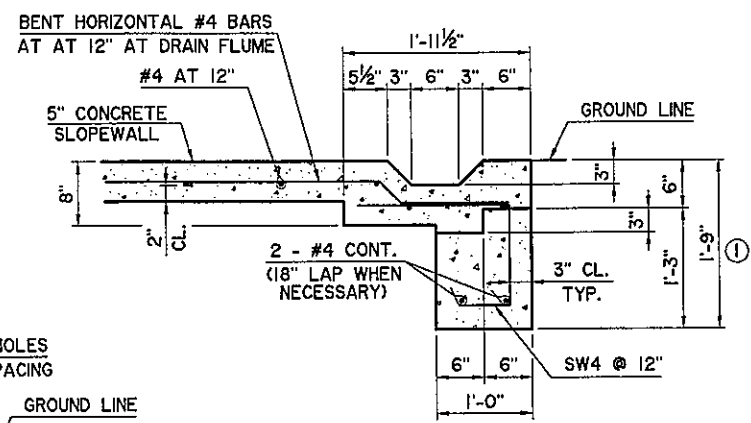
NOTE:
FOR DETAIL OF REINFORCING,
SEE SECTION A, SECTION D
AND SECTION E.



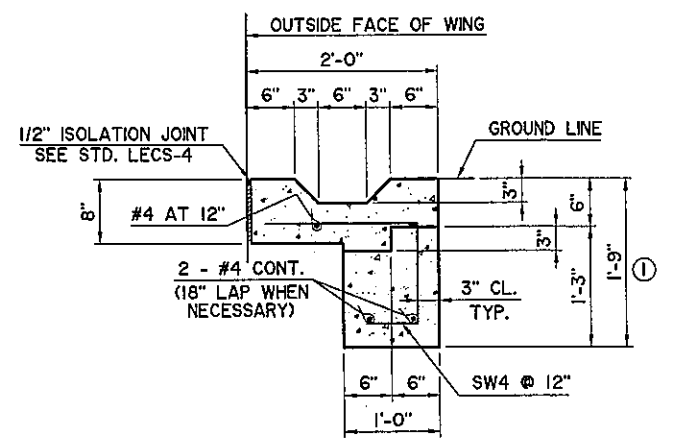
SECTION C

NOTE:
FOR ADDITIONAL DETAIL,
SEE SECTION A, SECTION D
AND SECTION E.

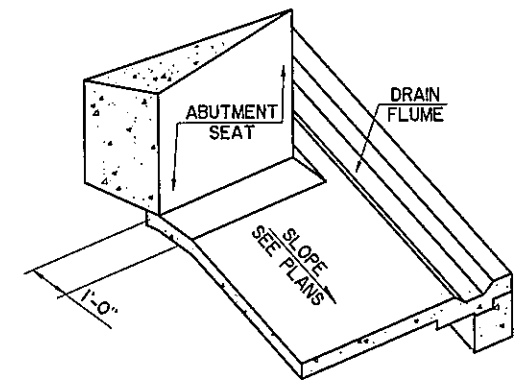
① SURFACE AREA OF
TOE OF SLOPE
WALL INCLUDED
IN PAY QUANTITY
FOR SLOPEWALL.



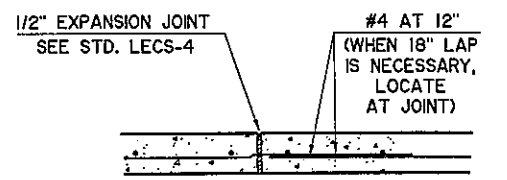
SECTION D



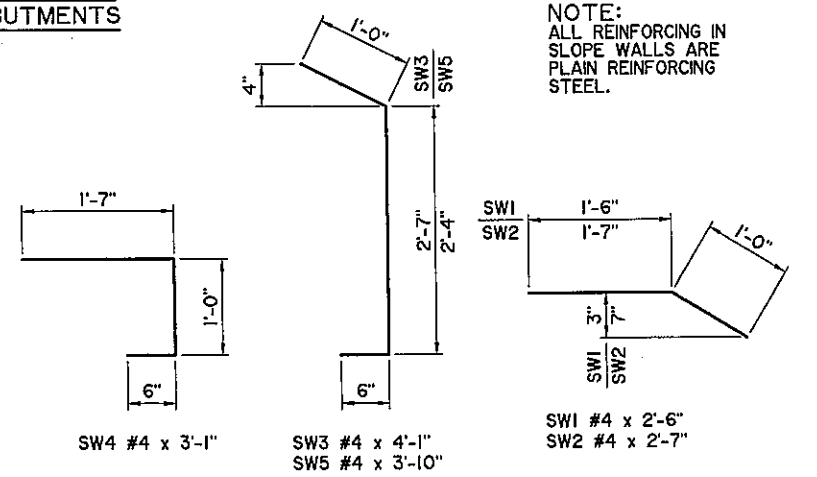
SECTION E



**ISOMETRIC VIEW AT
END OF ABUTMENTS**



**DETAIL OF VERTICAL
CONSTRUCTION JOINT**



NOTE:
ALL REINFORCING IN
SLOPE WALLS ARE
PLAIN REINFORCING
STEEL.



BAR BEND REQUIRED FOR
HORIZONTAL #4 BARS
AT DRAIN FLUME

Design	CEG	U.S. HIGHWAY 60 - McALESTER	
Drawn	KGL HEJ	SLOPE WALL DETAILS	
Checked	ADT JKJ	WADE WATTS AVENUE	
Approved	CEG	BRIDGE "Q" SOUTHBOUND, BRIDGE "R" NORTHBOUND	
Squad	WEA	JOB PIECE NO. 14999(04)	SHEET NO. B25