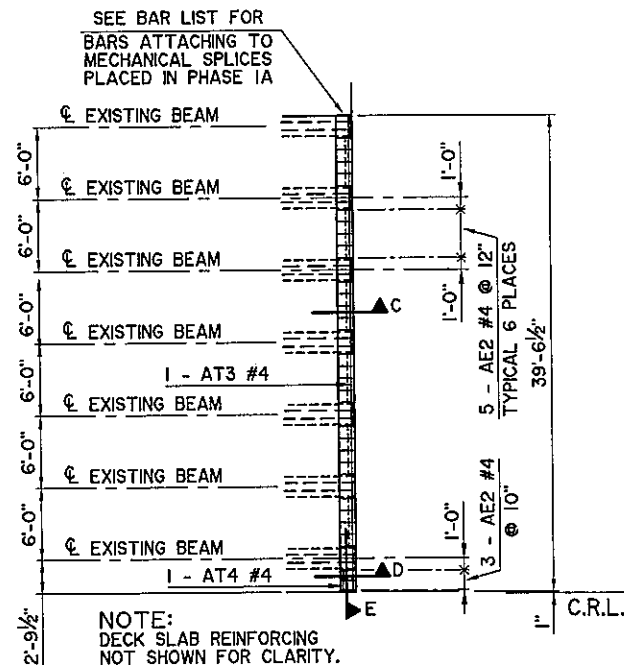
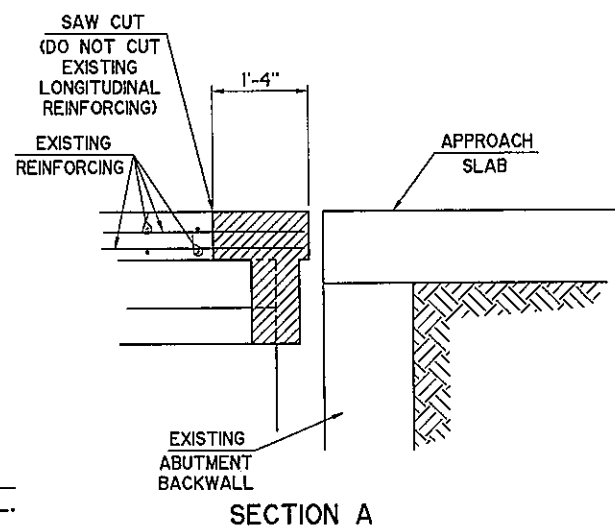


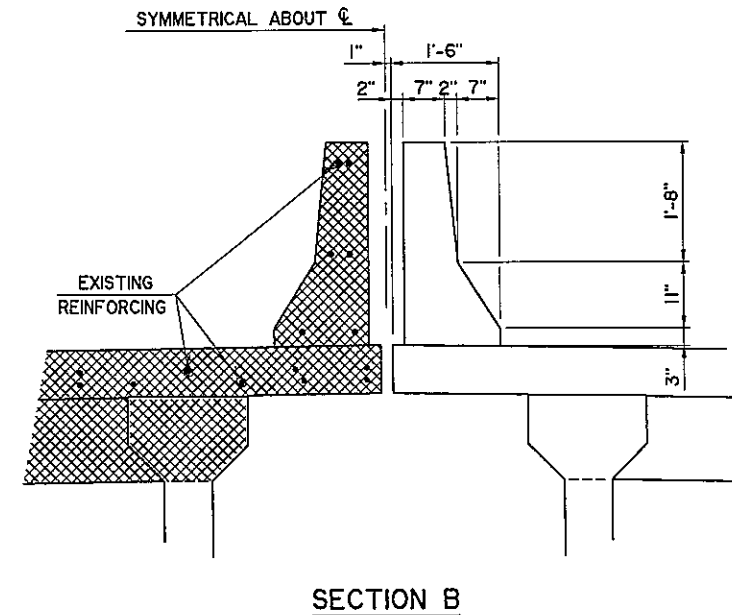
EXPANSION JOINT REHABILITATION PLAN AT ABUTMENT NO. 2 PHASE 2A
BRIDGE "Q" SHOWN - BRIDGE "R" SIMILAR



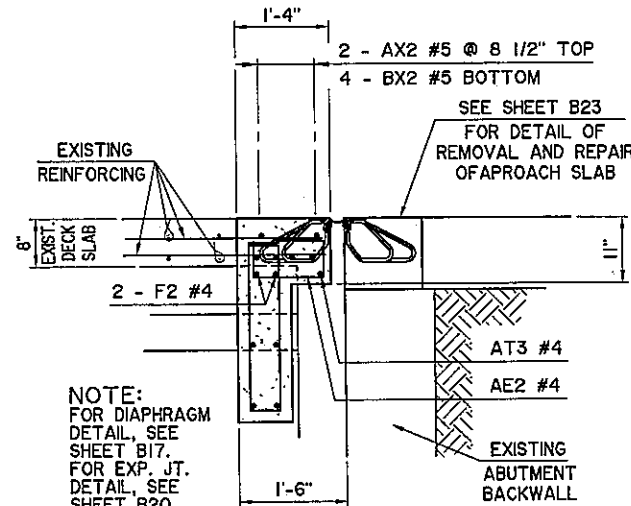
ADDITIONAL SLAB REINFORCING OF DIAPHRAGM PLAN AT ABUTMENT NO. 2 PHASE 2A
BRIDGE "Q" SHOWN - BRIDGE "R" SIMILAR



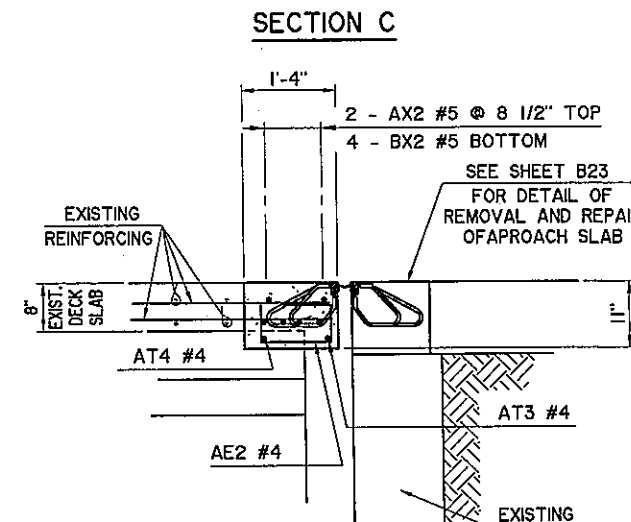
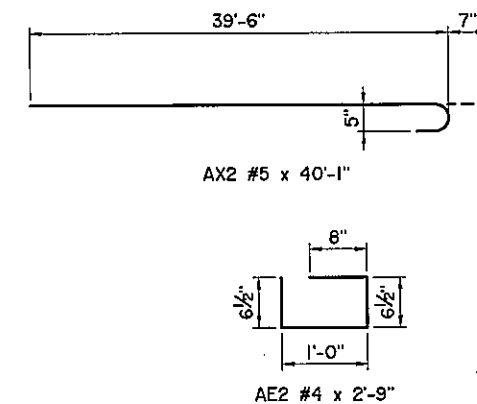
SECTION A



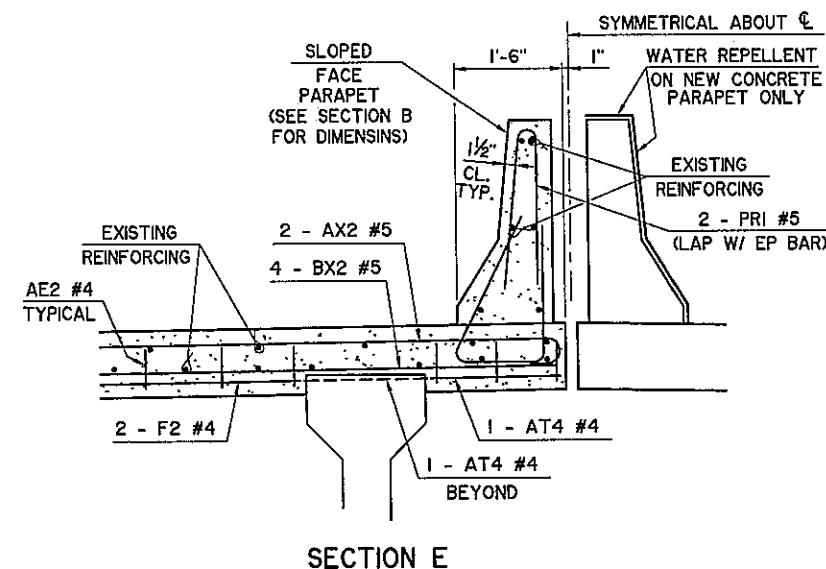
SECTION B



SECTION C



SECTION D



SECTION E

PHASE 2A JOINT REHABILITATION BAR LIST (ONE SHOWN, ONE REQUIRED FOR EACH BRIDGE)				
MARK	SIZE	NO.	FORM	LENGTH
EPOXY COATED REINFORCING				
①	AX2	#5	2 BNT.	40'-1"
	AE2	#4	33 BNT.	2'-9"
①	AT3	#4	1 STR.	39'-6"
	AT4	#4	1 STR.	1'-9"
①	BX2	#5	4 STR.	39'-6"
②	EP	#5	2 BNT.	5'-5"
	F2	#4	24 STR.	4'-0"
	F3	#4	12 STR.	5'-0"
③	PRI	#5	2 BNT.	5'-0"
④	U2	#4	30 BNT.	6'-3"

- ① ATTACH TO MECHANICAL COUPLER PROVIDED IN PHASE 1A
- ② FOR BAR BENDS, SEE STD. SFPI-2
- ③ ALL COSTS TO BE INCLUDED IN THE CONTRACT UNIT PRICE OF CONCRETE PARAPET.
- ④ FOR BAR BEND, SEE SHEET B17

Design	CEG	CEG	U.S. HIGHWAY 69 - McALESTER EXPANSION JOINT REHABILITATION DETAILS WADE WATTS AVENUE BRIDGE "Q" SOUTHBOUND, BRIDGE "R" NORTHBOUND JOB PIECE NO. 14999(04) SHEET NO. B21
Drawn	KGL	HEJ	
Checked	ADT	CEG	
Approved	CEG		
Squad	WEA		