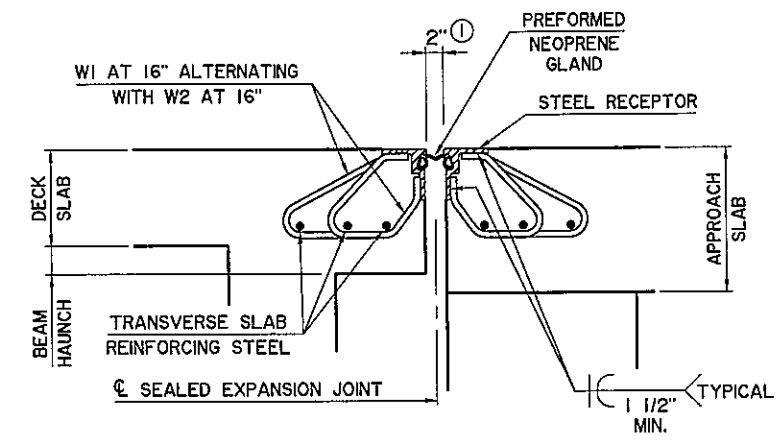
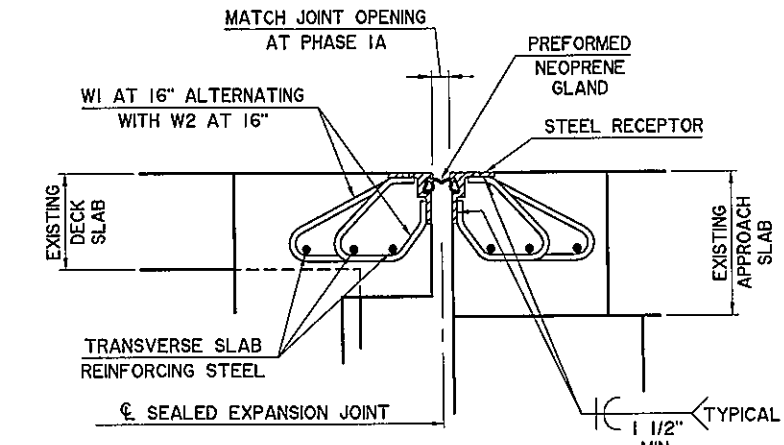


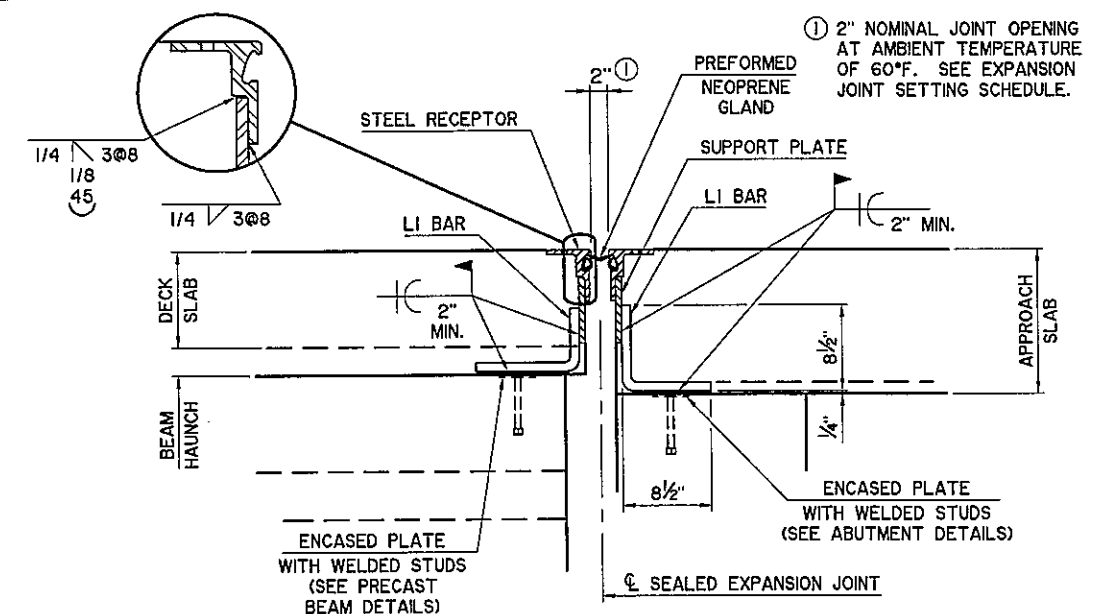
PLAN
PHASE 1A SHOWN, PHASE 2A SIMILAR



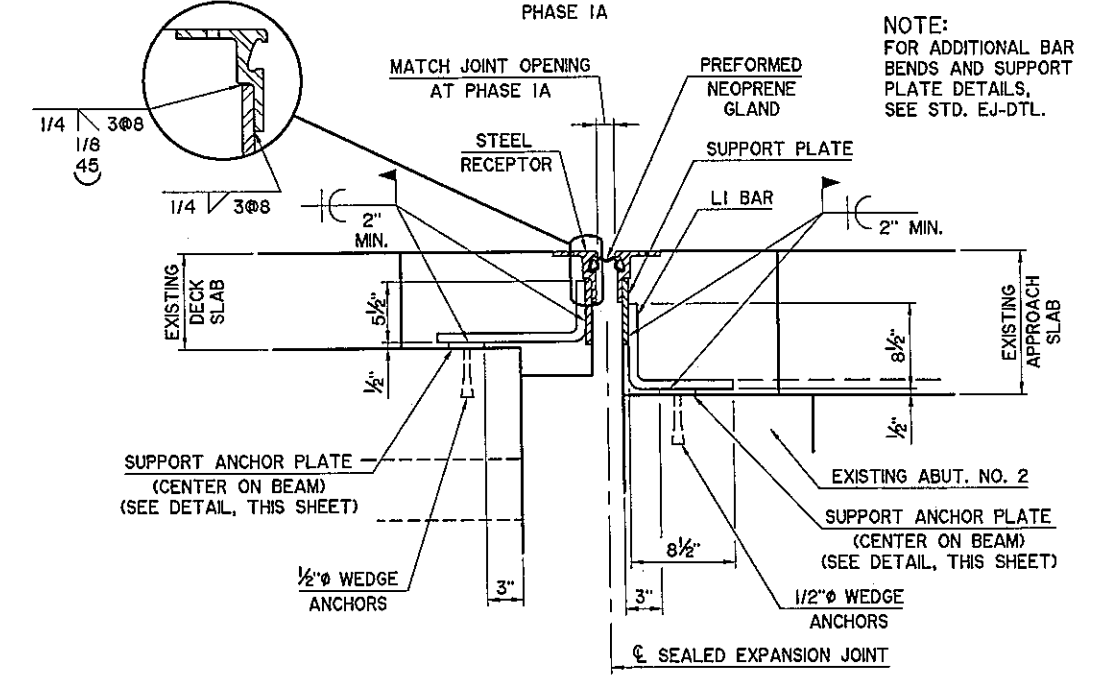
SECTION A-A
PHASE 1A



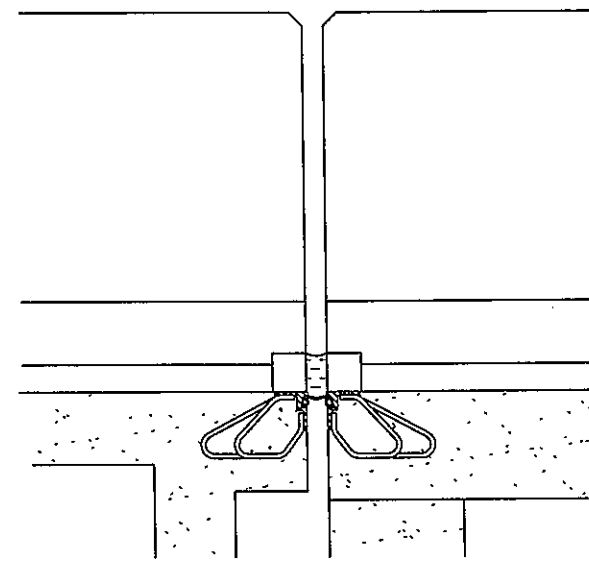
SECTION A-A
PHASE 2A



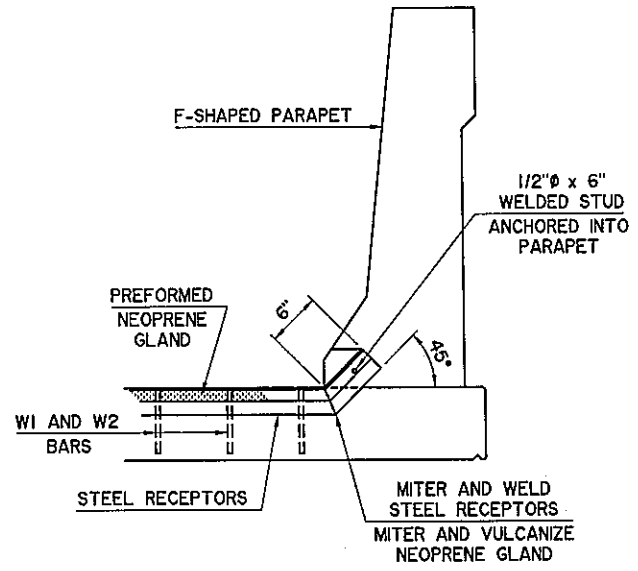
SECTION B-B
PHASE 1A



SECTION B-B
PHASE 2A

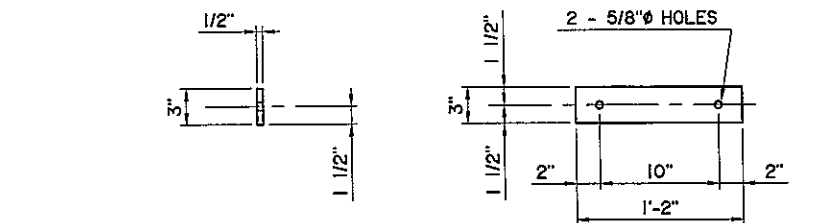


ELEVATION
PHASE 1A SHOWN, PHASE 2A SIMILAR



SECTION AT F-SHAPED PARAPET
SLOPED FACE PARAPET SIMILAR

EXPANSION JOINT SETTING SCHEDULE	
TEMPERATURE	OPENING
12° F	2 3/8"
28° F	2 1/4"
44° F	2 1/8"
60° F	2"
76° F	1 7/8"
92° F	1 3/4"
108° F	1 5/8"



PHASE 2A SUPPORT ANCHOR PLATE DETAILS

NOTE:
ALL COSTS OF SUPPORT ANCHOR PLATE, WEDGE ANCHORS, LABOR, EQUIPMENT AND INCIDENTALS SHALL BE INCLUDED IN OTHER ITEMS OF WORK.

Design	CEG		U.S. HIGHWAY 69 - McALESTER SEALED EXPANSION JOINT DETAILS WADE WATTS AVENUE BRIDGE "Q" SOUTHBOUND, BRIDGE "R" NORTHBOUND JOB PIECE NO. 14999(04) SHEET NO. B20
Drawn	KGL	HEJ	
Checked	ADT	CEG	
Approved	CEG		
Squad	WEA		

I:\Active\0403A WYANDOTTEDWG\B20-SEALED EXP JT DTLS.dwg, 7/5/2016 3:28:26 PM, Howard