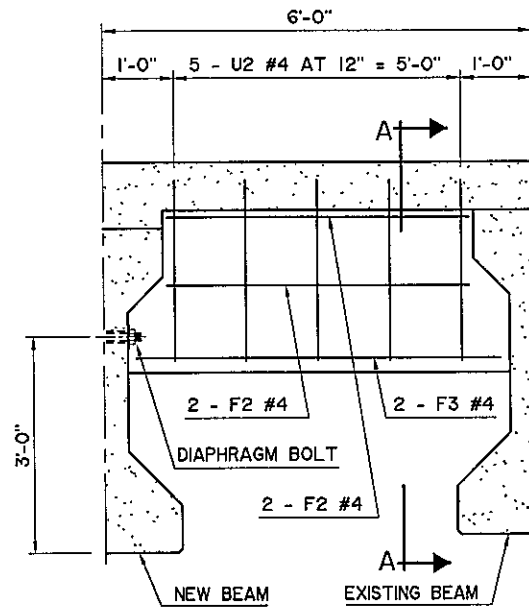
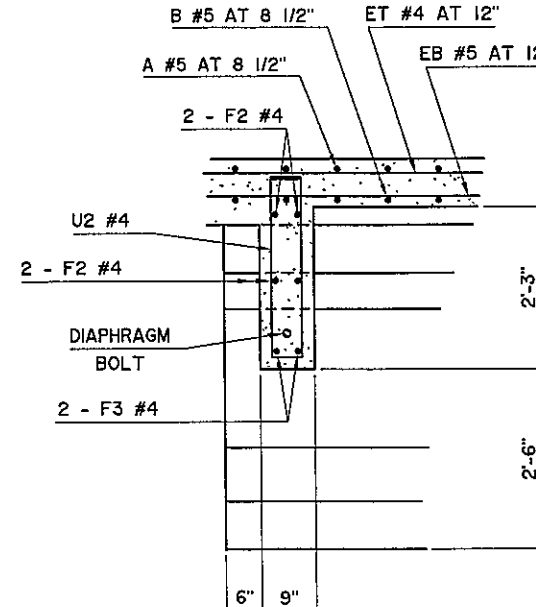


SECTION A-A

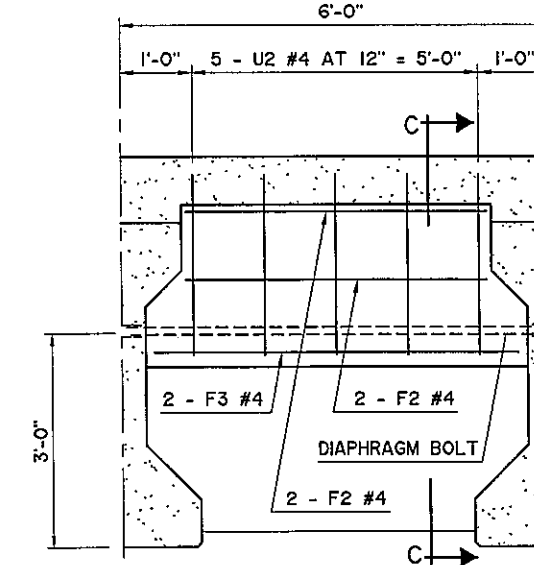


END DIAPHRAGM BETWEEN
NEW AND EXISTING BEAM
ELEVATION

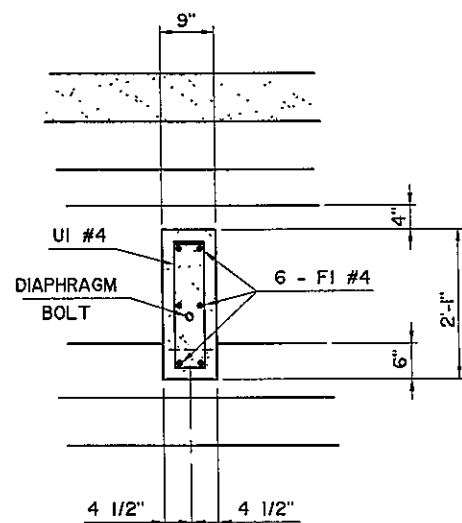
(DIAPHRAGM BETWEEN EXISTING BEAMS SIMILAR)
BRIDGE "Q" SHOWN, BRIDGE "R" OPPOSITE HAND



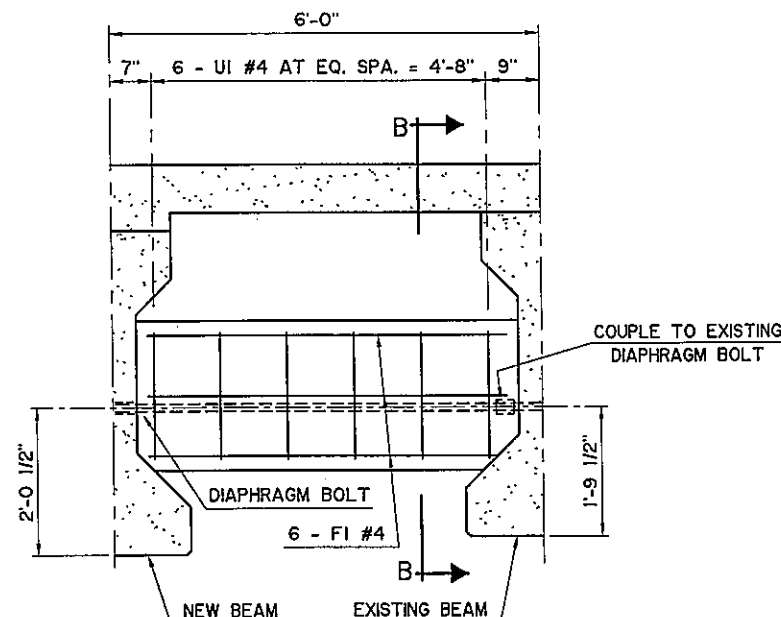
SECTION C-C



TYPICAL END DIAPHRAGM
ELEVATION

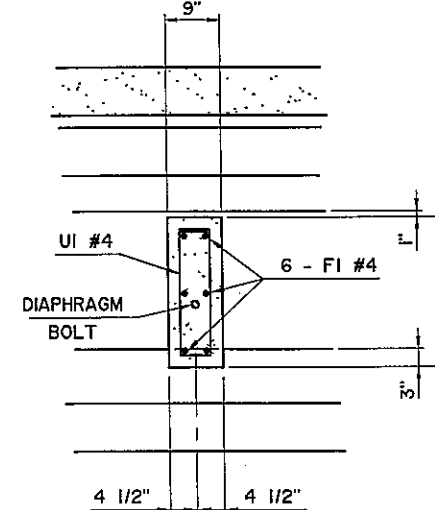


SECTION B-B

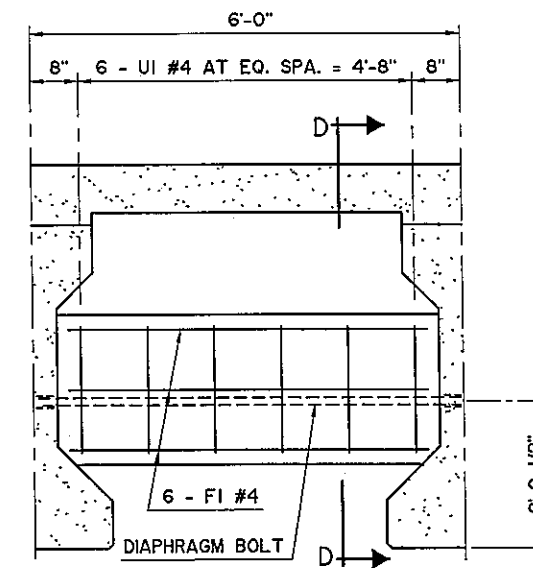


INTERMEDIATE DIAPHRAGM AT
EXISTING BEAM ELEVATION

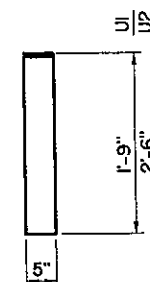
BRIDGE "Q" SHOWN, BRIDGE "R" OPPOSITE HAND



SECTION D-D



TYPICAL INTERMEDIATE DIAPHRAGM
ELEVATION



UI #4 x 4'-9"
U2 #4 x 6'-3"

Design	CEG			U.S. HIGHWAY 69 - McALESTER DIAPHRAGM DETAILS WADE WATTS AVENUE BRIDGE "Q" SOUTHBOUND, BRIDGE "R" NORTHBOUND JOB PIECE NO. 14999(04) SHEET NO. B17
Drawn	KGL	KGL		
Checked	ADT	JKJ		
Approved	CEG			
Squad	WEA			