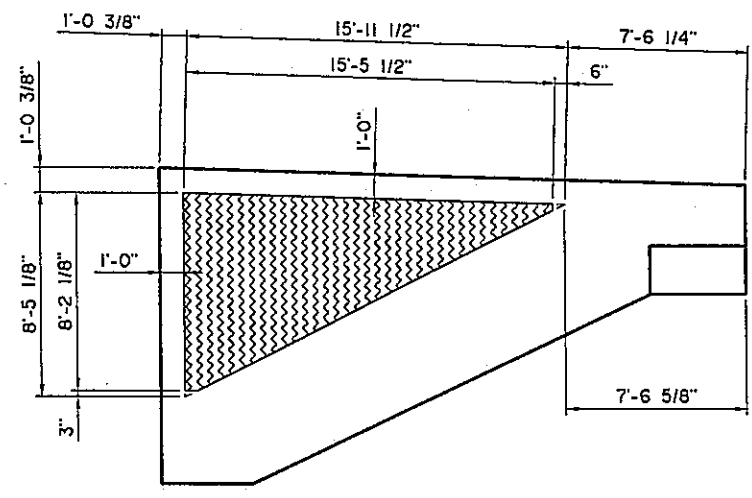
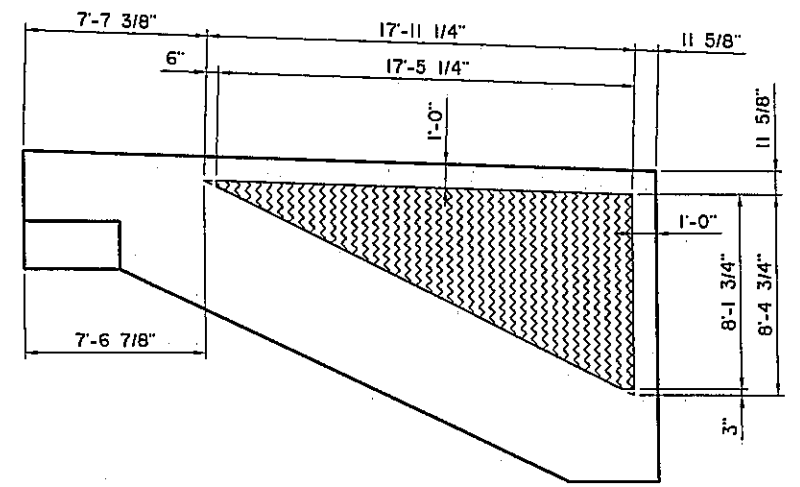


I:\Active\0405A.WWANDOTTE\DWG\B12-ABUT FORM LINER DTL.dwg, 7/7/2016 7:07:37 AM, Howard



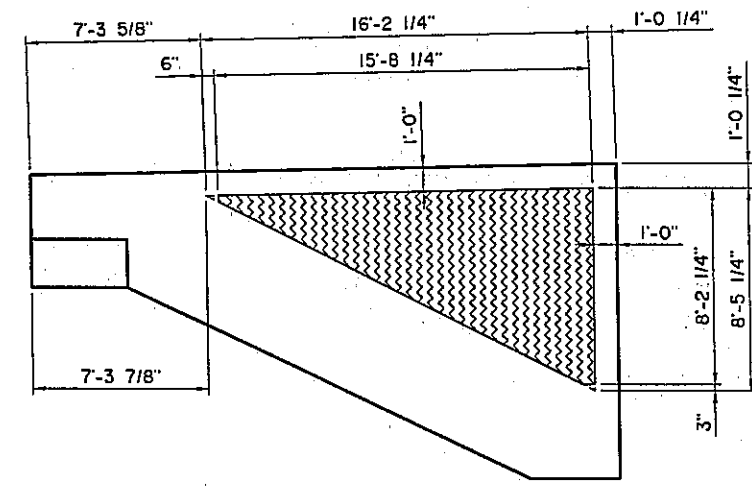
ABUTMENT NO. 1 - EXTERIOR WING ELEVATION
BRIDGE "Q"

NOTE:
APPROXIMATE MAXIMUM AREA OF FORM LINER ON ABUTMENT NO. 1, BRIDGE "Q" WINGWALL IS 67 SQ. FT. AREA IS FOR ESTIMATING PURPOSES ONLY. NO COMPENSATION WILL BE ALLOWED FOR ANY DEVIATION IN THE AREA SHOWN. COST OF FORM LINER TO BE INCLUDED IN CONTRACT UNIT PRICE FOR CLASS A CONCRETE.



ABUTMENT NO. 2 - EXTERIOR WING ELEVATION
BRIDGE "Q" SHOWN, BRIDGE "R" OPPOSITE HAND

NOTE:
APPROXIMATE MAXIMUM AREA OF FORM LINER ON ABUTMENT NO. 2 WINGWALL IS 75 SQ. FT. FOR EACH OF BRIDGES "Q" AND "R". AREA IS FOR ESTIMATING PURPOSES ONLY. NO COMPENSATION WILL BE ALLOWED FOR ANY DEVIATION IN THE AREA SHOWN. COST OF FORM LINER TO BE INCLUDED IN CONTRACT UNIT PRICE FOR CLASS A CONCRETE.



ABUTMENT NO. 1 - EXTERIOR WING ELEVATION
BRIDGE "R"

NOTE:
APPROXIMATE MAXIMUM AREA OF FORM LINER ON ABUTMENT NO. 1, BRIDGE "R" WINGWALL IS 69 SQ. FT. AREA IS FOR ESTIMATING PURPOSES ONLY. NO COMPENSATION WILL BE ALLOWED FOR ANY DEVIATION IN THE AREA SHOWN. COST OF FORM LINER TO BE INCLUDED IN CONTRACT UNIT PRICE FOR CLASS A CONCRETE.

| | | |
|----------|-----|--|
| Design | CEG | U.S. HIGHWAY 69 - McALESTER ABUTMENT FORM LINER DETAILS WADE WATTS AVENUE BRIDGE "Q" AND BRIDGE "R" JOB PIECE NO. 14999(04) |
| Drawn | MEJ | |
| Checked | JKJ | |
| Approved | CEG | |
| Squad | WEA | |
| | | SHEET NO. 812 |