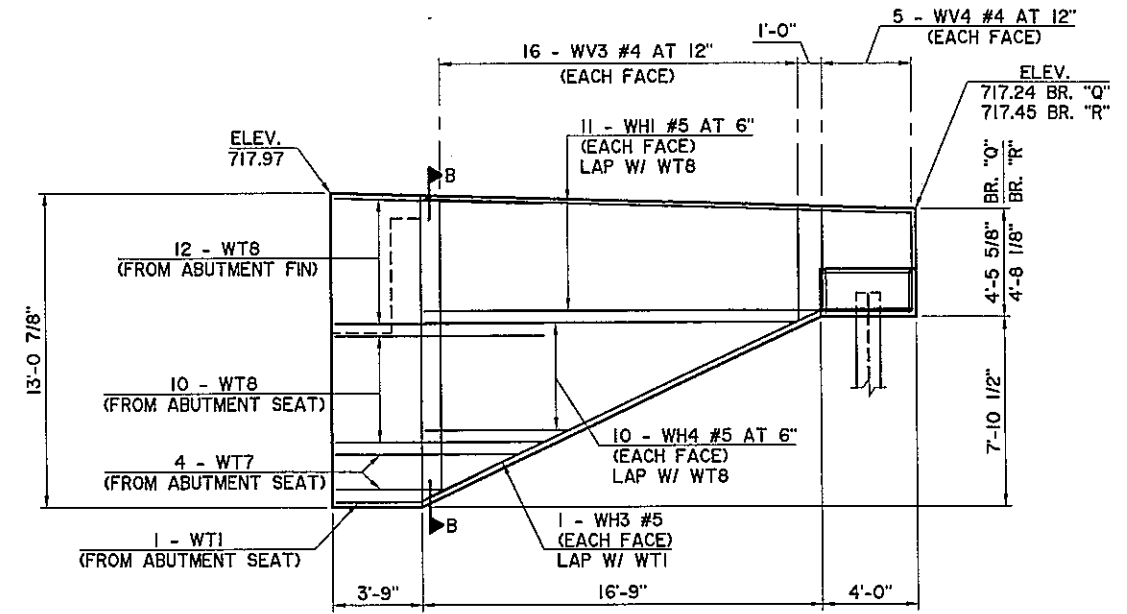
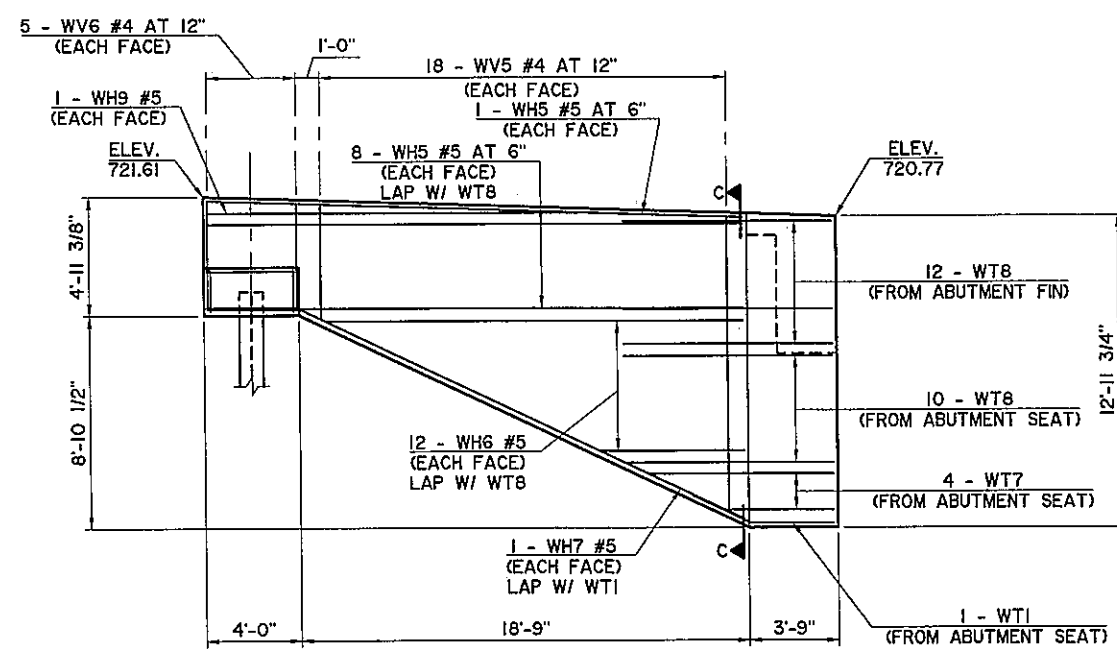


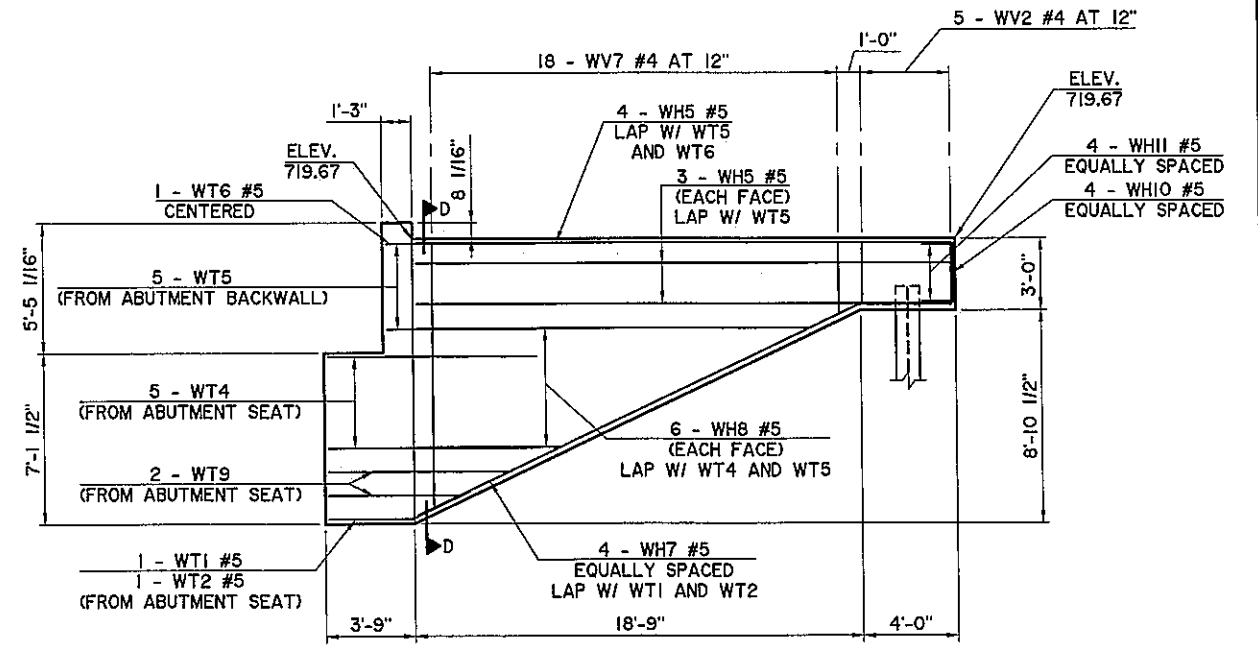
ABUTMENT NO. 1 - INTERIOR WING ELEVATION
BRIDGE Q SHOWN, BRIDGE R OPPOSITE HAND



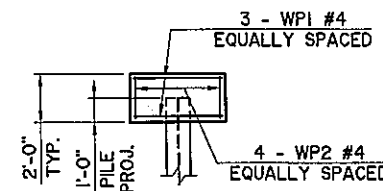
ABUTMENT NO. 1 - EXTERIOR WING ELEVATION
BRIDGE Q SHOWN, BRIDGE R OPPOSITE HAND EXCEPT AS NOTED



ABUTMENT NO. 2 - EXTERIOR WING ELEVATION
BRIDGE Q SHOWN, BRIDGE R OPPOSITE HAND



ABUTMENT NO. 2 - INTERIOR WING ELEVATION
BRIDGE Q SHOWN, BRIDGE R OPPOSITE HAND



REINFORCING FOR EXTERIOR WING PILE PILASTER

Design	CEG		U.S. HIGHWAY 69 - McALESTER ABUTMENT WING DETAILS WADE WATTS AVENUE BRIDGE "Q" AND BRIDGE "R"
Drawn	KGL	RJR	
Checked	ADT	JKJ	
Approved	CEG		
Squad	WEA		
JOB PIECE NO. 14999(04)			SHEET NO. B10

I:\Active\0403A WYANDOTTEDWG\B10-ABUT-W-WALL.dwg, 7/5/2016 3:25:24 PM, Howard