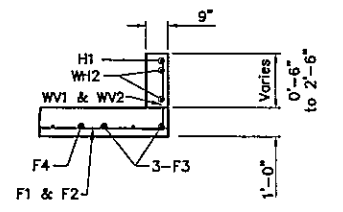
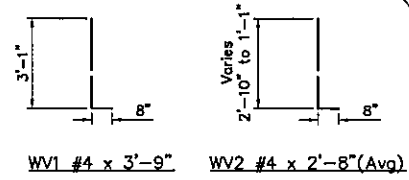
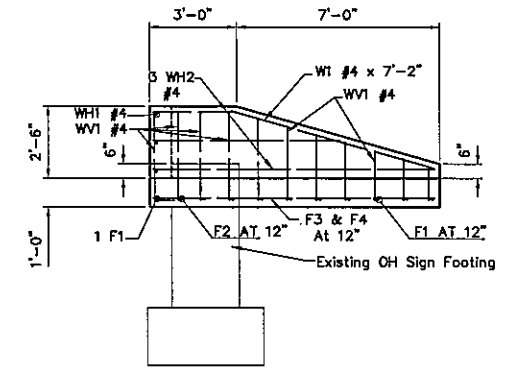
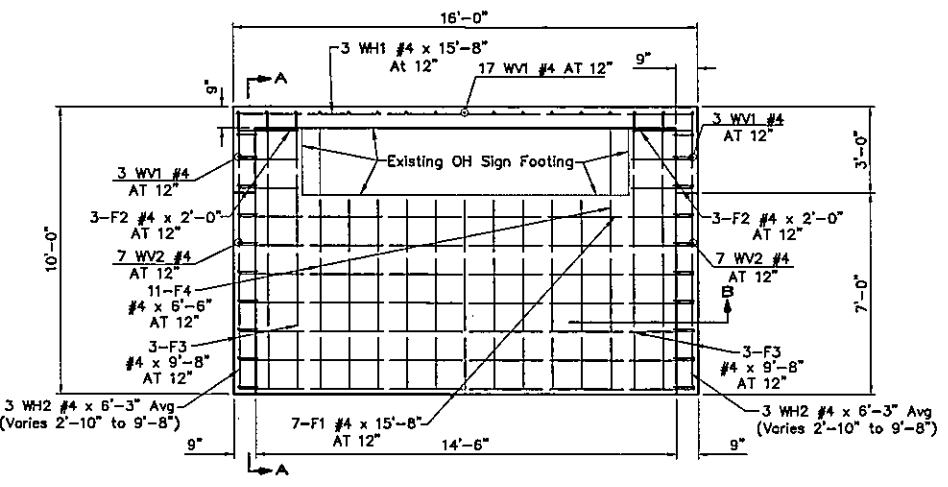


NOTE
 Pavement Marking Dimensions are not shown on plans. Reference shall be made to the latest copy of Standard Pavement Marking PM1, PM2, PM3, PM4, PM5, and PM6.



Legend for Pavement Marking & Signing

- White Reflective Turn Arrow (Lt. or Rt.)
- White Reflective Word "ONLY"
- 24" Solid White Reflective Stop Bar
- 8" Solid White Reflective Crosswalk
- 4" Solid Double Yellow Reflective Barrier Line
- 4" or 6" Solid Yellow Reflective Barrier Line
- 4" or 6" Solid White Reflective Edge Line
- 4" Dashed White Reflective Lane Line (12' & 28')
- 6" Dashed Lane Line (12' white, 12' black & 33')
- 6" Dotted Multi-Polymer Lane Line (3' W, 3' B & 9')
- 4" Dashed White Reflective Dual Turn Line (2' & 4')
- Item No. for Permanent Signing
- Permanent Sign Number, Location & Sign Type



PLAN

SEC A-A

SPECIAL STRUCTURE

CLASS "A" CONC. = 7.17 CY
 REINFORCING STEEL = 328 LB

Handwritten signature: Robin D. Sewella
 REGISTERED PROFESSIONAL ENGINEER
 ROBIN D. SEWELLA
 16173
 OLAHOMA

| | | | |
|----------|-------|--|-------------------------|
| Survey | CKS | U.S. 69 - COMANCHE AVENUE | PITTSBURG COUNTY |
| Drawn | CKD | PAVEMENT MARKING AND SIGNING PLAN | |
| Checked | CKE | | |
| Approved | | | |
| Squad | C & K | STA. 3265+00 TO STA. 3280+00 | JOB PIECE NO. 14999(04) |
| | | | SHEET NO. 91 |

S:\Projects\DOT\TUS 69 Comanche\Acad\dwg\ACAD PROJECT 1\US69\01\pms3265-3280R.dwg, 7/14/2016 11:06:04 AM