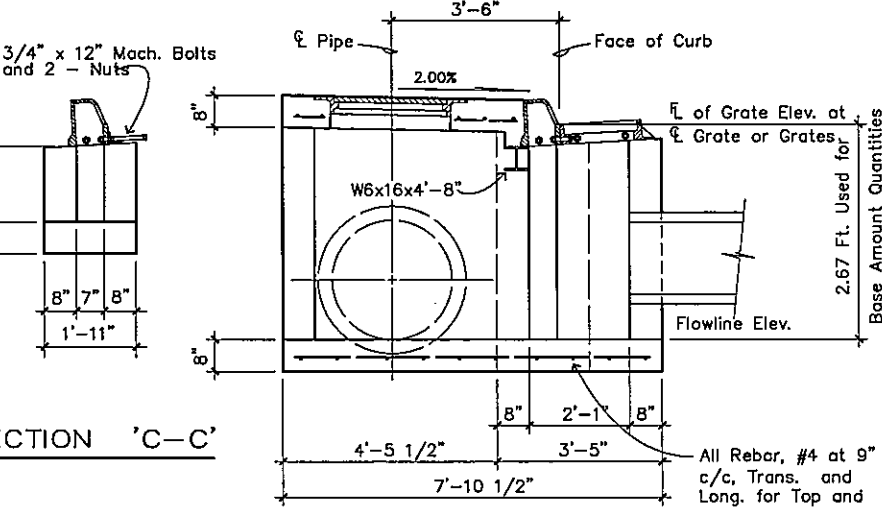


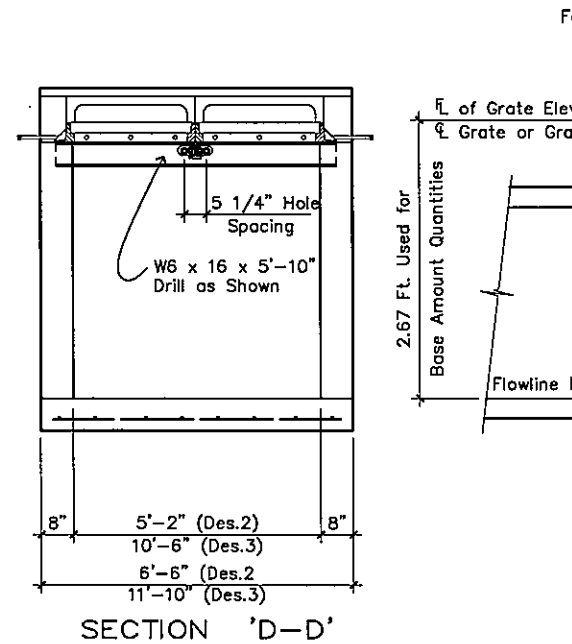
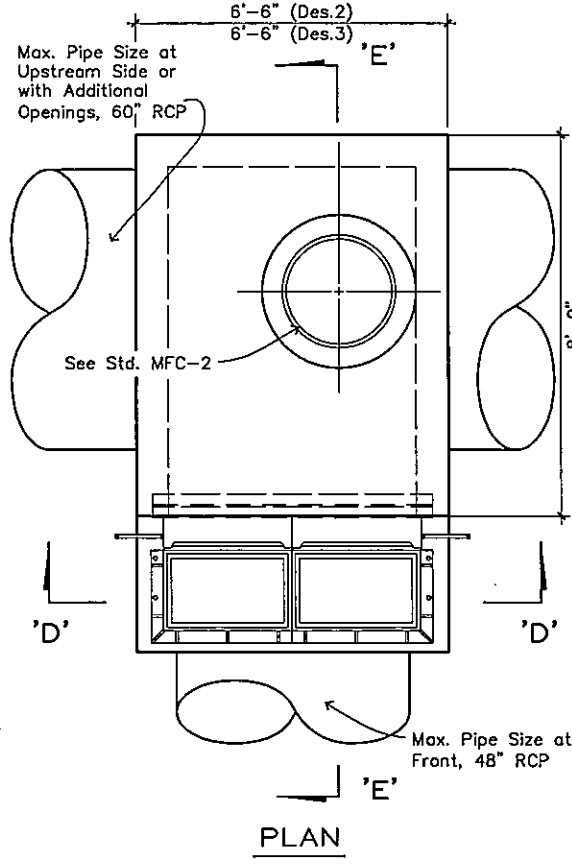
SINGLE GRATE CURB INLET WITH JUNCTION BOX
(Design 1-D with Small Junction Box Shown)

QUANTITIES FOR INLETS							
INLET DESIGN	CURB OPENING DESIGNATION	CLASS "A" CONCRETE CU. YD.	BASE AMT.	ADD'L. C.F. PER VERT. FT.	INLET FRAME & GRATE EACH	CAST IRON CURB INLET EACH	MH FRAME & COVER EACH
1 WITH SMALL JUNCT. BOX	STD	1.50	43.56	15.83	1	1	1
	"A"	1.60	47.34	15.83	1	2	1
	"B"	1.73	55.44	15.83	1	3	1
	"C"	1.86	62.26	15.83	1	4	1
2 WITH SMALL JUNCT. BOX	STD	1.70	47.84	15.83	2	2	1
	"A"	1.83	57.01	15.83	2	3	1
	"B"	1.96	64.86	15.83	2	4	1
	"C"	2.08	71.70	15.83	2	5	1
3 WITH SMALL JUNCT. BOX	STD	4.46	120.50	15.83	1	1	1
	"B"	5.02	135.54	15.83	1	3	1
	"2B"	5.58	150.58	15.83	1	4	1
	"D"	5.74	154.97	15.83	1	5	1
1 WITH LARGE JUNCT. BOX	STD	2.72	55.44	21.21	1	1	1
	"A"	2.86	57.40	21.21	1	2	1
	"B"	2.99	62.06	21.21	1	3	1
	"C"	3.11	67.88	21.21	1	4	1
2 WITH LARGE JUNCT. BOX	STD	2.90	55.58	21.21	2	2	1
	"A"	3.04	57.54	21.21	2	3	1
	"B"	3.17	64.87	21.21	2	4	1
	"C"	3.29	71.31	21.21	2	5	1
3 WITH LARGE JUNCT. BOX	STD	6.13	165.68	21.22	1	1	1
	"B"	6.69	180.72	21.22	2	4	1
	"2B"	7.25	195.76	21.22	2	5	1
	"D"	7.41	200.15	21.22	2	6	1

18" THRU 30" LONGITUDINAL PIPE REQUIRES SMALL JUNCTION BOX
36" THRU 60" LONGITUDINAL PIPE REQUIRES LARGE JUNCTION BOX

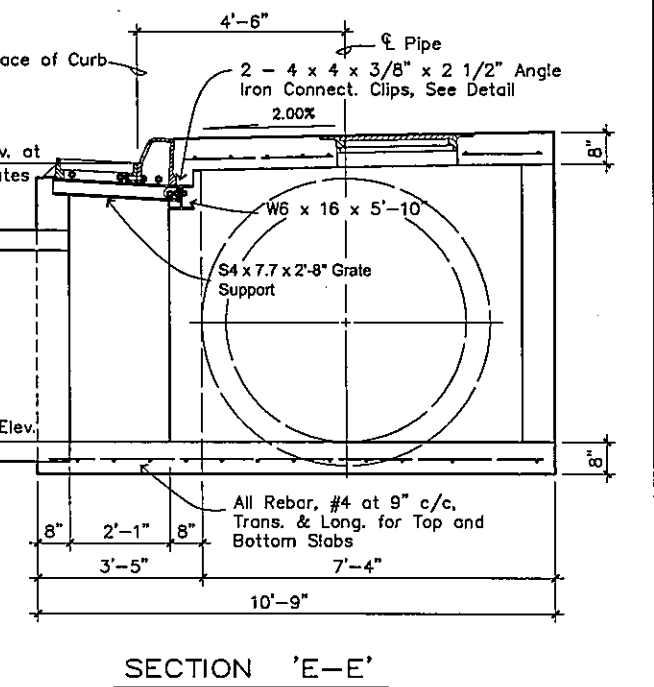


SECTION 'B-B'

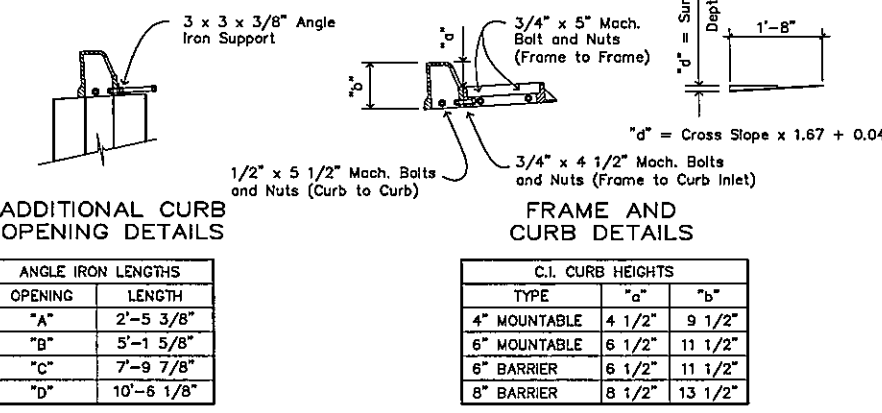
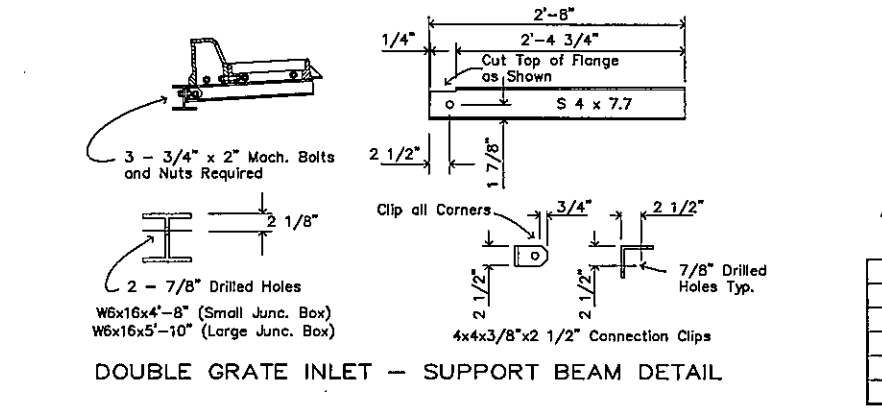


SECTION 'D-D'

GENERAL NOTES
All construction and material requirements shall be in accordance with standard specifications.
Exposed concrete edges shall have a 3/4" chamfer surfaces shall be finished in accordance with Section 509 of the Standard Specifications.
Standard MFC-4 Manhole Frame and Cover to be used with these Inlets. Cost of these items shall be included in the cost of the completed inlet.
Standard SSIF-4 Frames and Standard CIG-3 Grates to be used with these Inlets. Cost of these items and hoods shall be included in the cost of the completed inlet.
The Inlet Apron may be built of the size shown on this sheet or may be placed integrally with concrete pavement, the thickness in either case shall be the same as the pavement.
There will be no Deduction of Payment for P.C. Concrete Pavement or Concrete Curb and Gutter thru the extent of the Cast Iron Curb Inlets. Deduction will be made for the Payment of Integral Curb through the extents of the Cast Iron Curb Inlets.
Quantities shown include quantities required to construct Grated Curb Inlet and Additional Curb Openings. Inlet quantities for depths greater than 2.67 Ft. (top curb to flowline inlet) can be obtained by the Add'l. Cu. Ft. per Vert. Ft. amount added to the Base Amount. Leads larger than 18" are deducted from inlet quantities.
The Cost for Concrete and Reinforcing Steel shall be included in the Amount Bid for Each Inlet.
Cast in Place Concrete Walls meeting Mix Requirements of Class "A" Concrete may be built in lieu of the brick Masonry to the same dimensions as shown this sheet. No.4 reinforcing steel bars spaced 18" Vertically and 12" Horizontally will be required for all Cast in Place Inlet Walls. Cost of Steel Reinforcing to the included in the cost of the Inlet.



SECTION 'E-E'



ANGLE IRON LENGTHS	
OPENING	LENGTH
"A"	2'-5 3/8"
"B"	5'-1 5/8"
"C"	7'-9 7/8"
"D"	10'-6 1/8"

C.I. CURB HEIGHTS		
TYPE	"a"	"b"
4" MOUNTABLE	4 1/2"	9 1/2"
6" MOUNTABLE	6 1/2"	11 1/2"
6" BARRIER	6 1/2"	11 1/2"
8" BARRIER	8 1/2"	13 1/2"



BASIS OF PAYMENT		
ITEM NO.	ITEM	UNIT
611(G)	INLET W/LRG. JCT. BOX, CI DES. []	EA
611(G)	INLET W/SMALL JCT. BOX, CI DES. []	EA
611(H)	ADD'L DEPTH IN INLET W/LJB, CI, DES. []	VF
611(H)	ADD'L DEPTH IN INLET W/SJB, CI, DES. []	VF

Survey CKS U.S. 69 - COMANCHE AVENUE PITTSBURG COUNTY
Drawn CKD
Checked CKE
Approved
Squad C & K JOB PIECE NO. 14999(04) SHEET NO. 50

S:\Projects\00100105 89 Comanche\Acadwg\ACAD PROJECT 1\US69com050-CURB INLET WITH JUNCTION BOX.dwg, 7/14/2016 10:58:13 AM