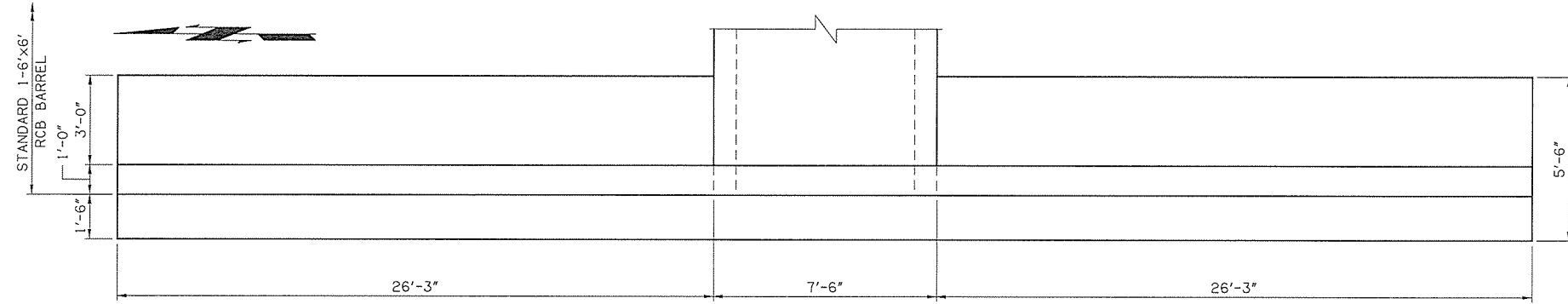
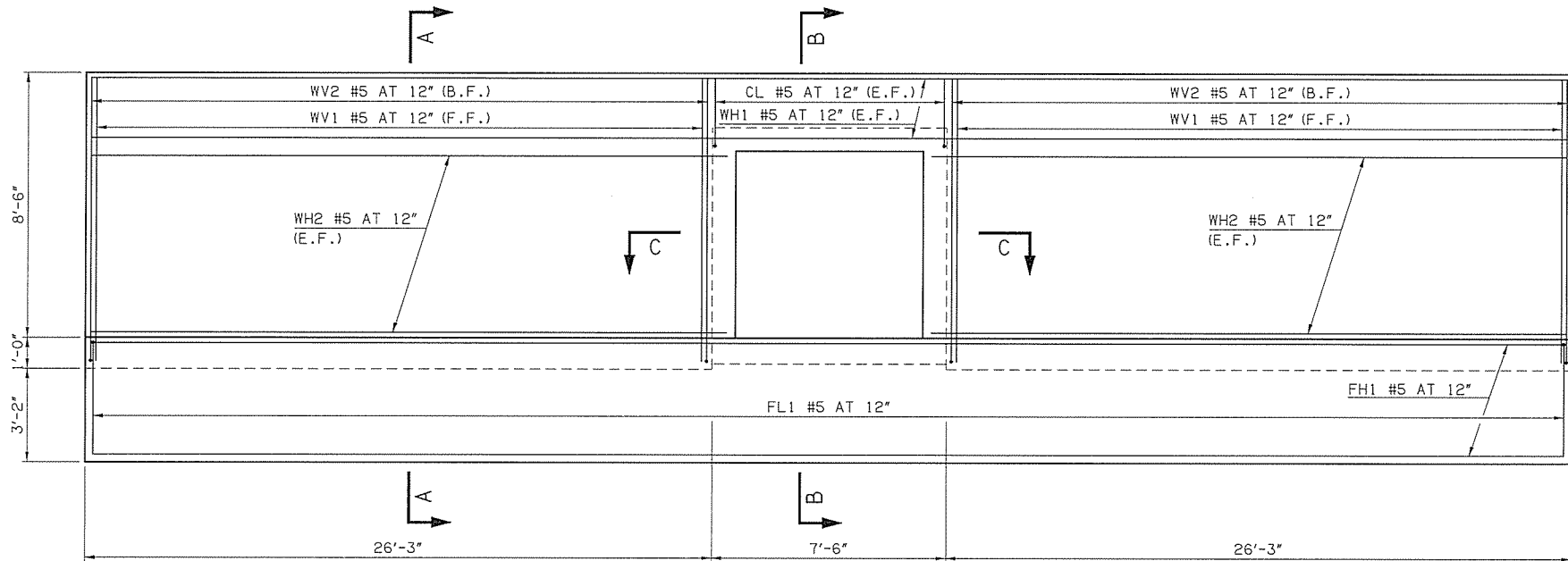


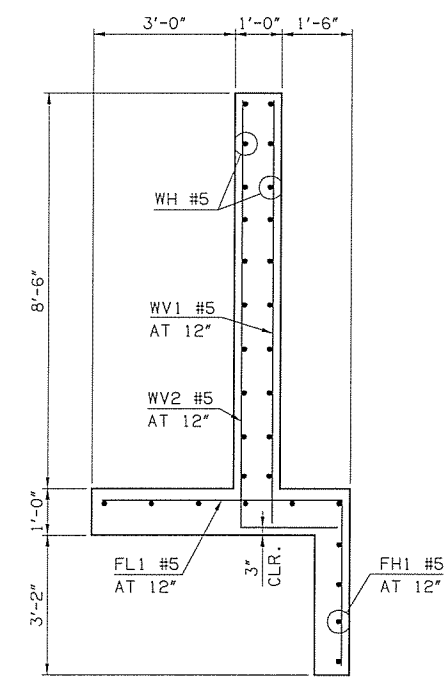
City of stillwater					
FED. ROAD DIST. NO.	STATE	PROJ. NO.	FISCAL YEAR	SHEET NO.	TOTAL SHEETS
6	OKLA	31595(04)	16		



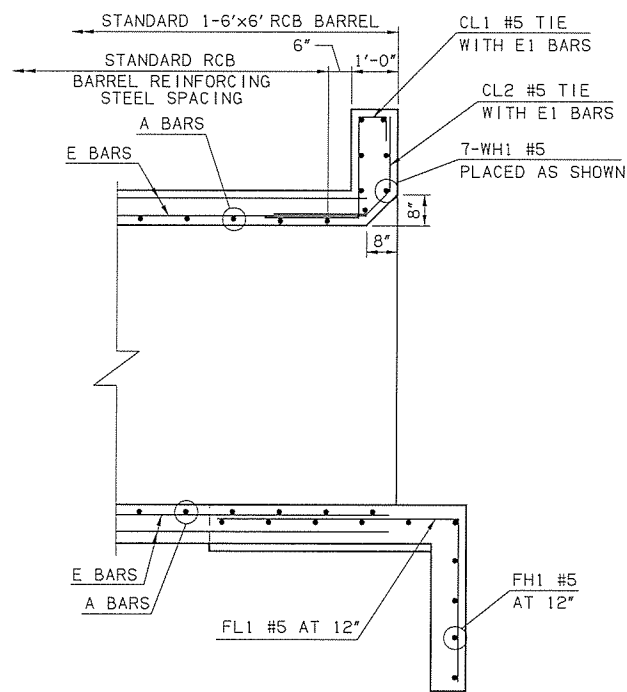
PLAN



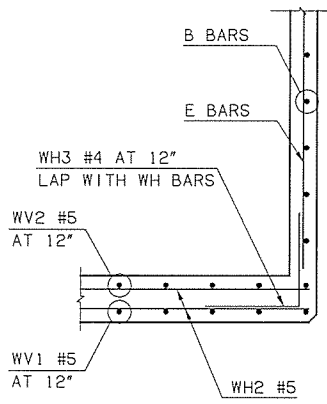
ELEVATION



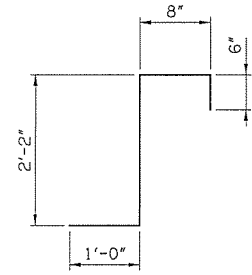
SECTION A-A



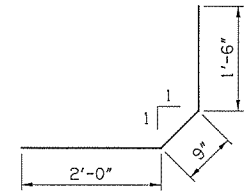
SECTION B-B



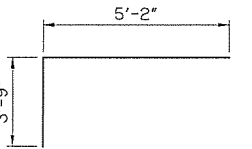
SECTION C-C



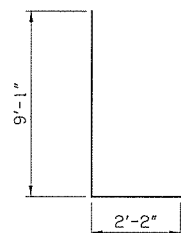
CL1 #5 x 4'-4"



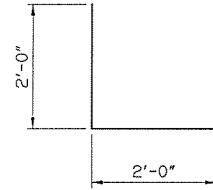
CL2 #5 x 4'-3"



FL1 #5 x 8'-11"



WV2 #5 x 11'-3"



WH3 #4 x 4'-0"

NOTES:

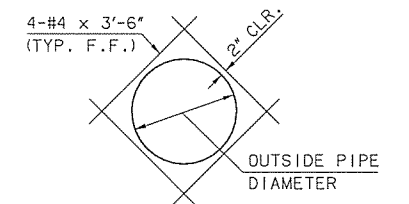
- FOR ELEVATIONS SEE SUMMARY OF DRAINAGE STRUCTURES.
- FOR LOCATIONS SEE ROADWAY PLAN SHEETS.
- ALL REINFORCING STEEL WILL BE GRADE 60 AND HAVE A 2" MINIMUM CLEARANCE UNLESS OTHERWISE SHOWN ON THE PLANS.
- ALL CONCRETE EDGES WILL HAVE A 1/2" CHAMFER UNLESS OTHERWISE SHOWN OR NOTED. ALL CHAMFER STRIPS WILL BE SIZED LUMBER.
- FOR A, B, AND E BARS, REFER TO ODOT STANDARD RCB-C1-6(2-14)

BAR LIST STR. NO. 28

PLAIN REINFORCING					
MARK	SIZE	QTY.	FORM	LENGTH	REMARKS
CL1	#5	8	BNT.	4'-4"	
CL2	#5	8	BNT.	4'-3"	
FH1	#5	10	STR.	59'-8"	
FL1	#5	62	BNT.	8'-11"	
WH1	#5	7	STR.	59'-8"	
WH2	#5	28	STR.	26'-8"	
WH3	#4	20	BNT.	4'-0"	
WV1	#5	54	STR.	9'-1"	
WV2	#5	54	BNT.	11'-3"	

QUANTITIES STR. NO. 28

ITEM	UNIT	TOTAL
CLASS AA CONCRETE	CY	34.90
REINFORCING STEEL	LB	3690.00



TYPICAL PIPE PENETRATION DETAIL

Design		WESTERN ROAD	PAYNE COUNTY
Drawn		DRAINAGE DETAILS (02) STRUCTURE NO. 28	
Checked			
Approved			
Squad	OLSSON ASSOCIATES		
Project No. 31595(04)		Sheet No. 35	