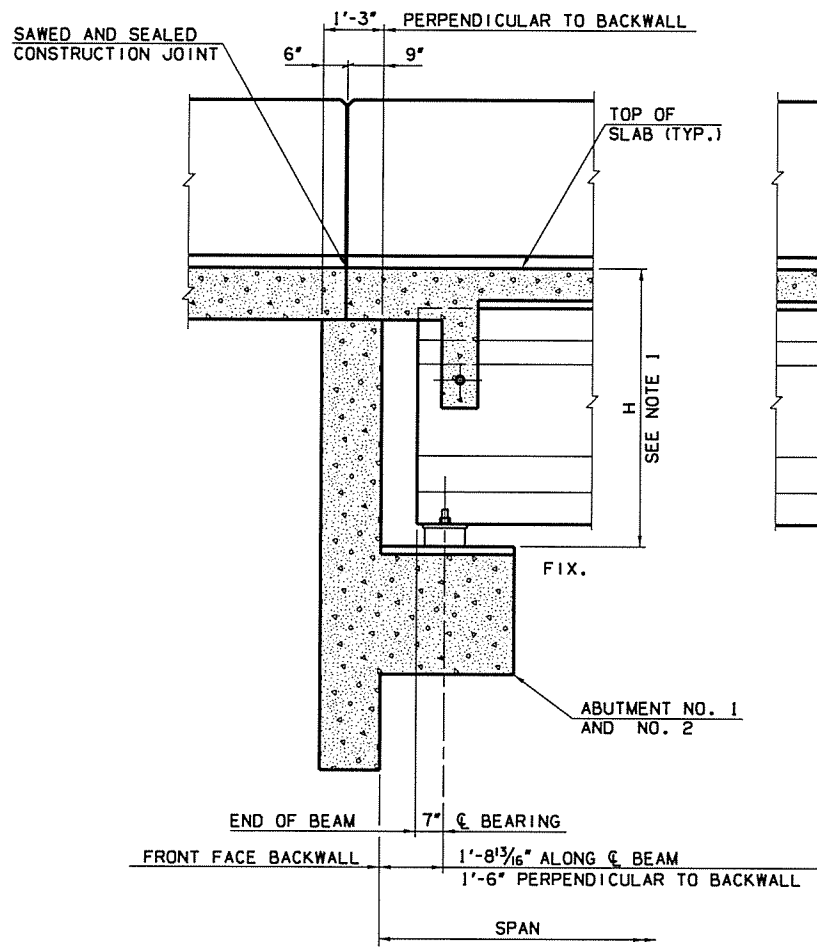
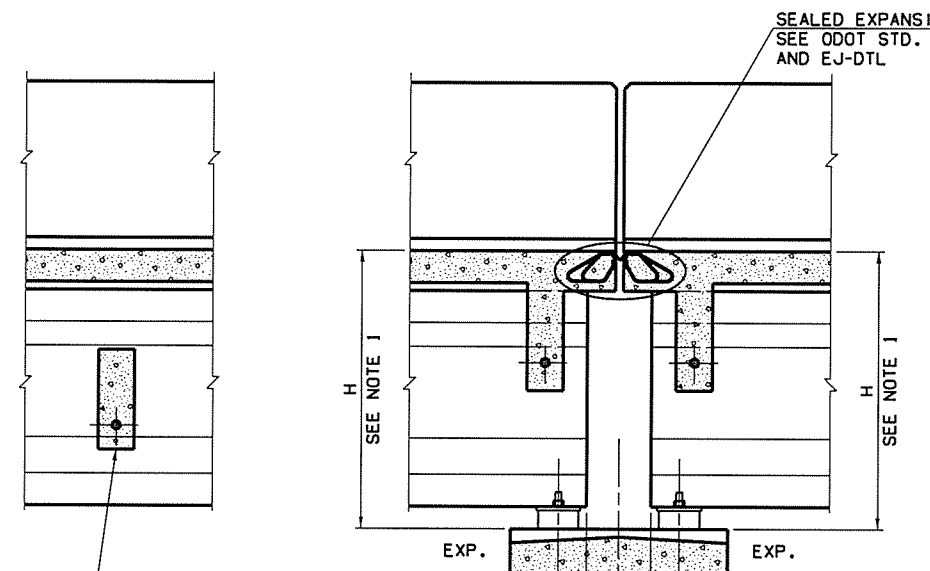


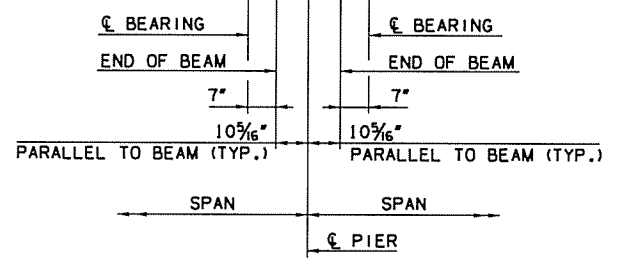
DOT DIVISION	STATE	J/P PROJ NO	FISCAL YEAR	SHEET NO	TOTAL SHEETS
8	OKLA	24750(04)		70	127



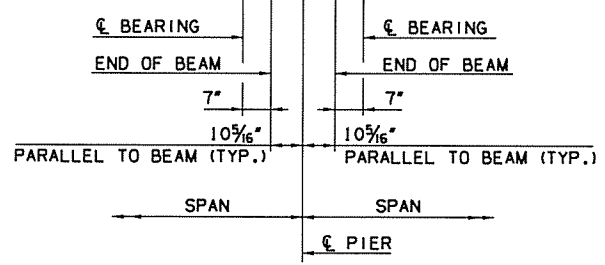
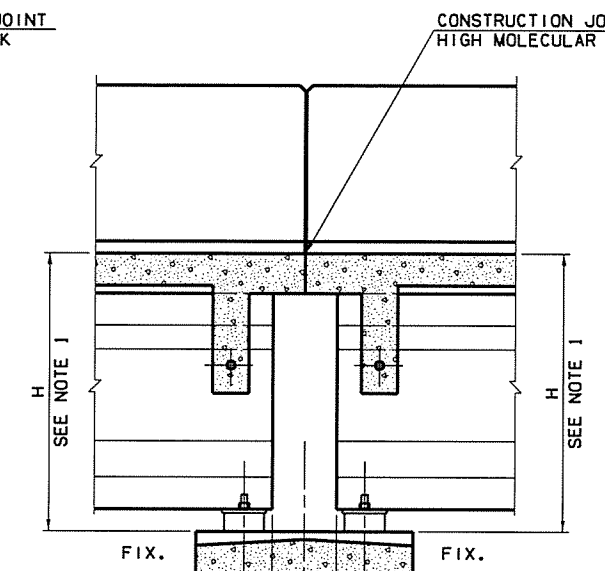
FIXED ABUTMENTS



SEE P.C. TYPE IV BEAM DETAILS FOR DIAPHRAGM LOCATIONS. INTERMEDIATE DIAPHRAGMS HAVE 2 PLATE WASHERS AND NUTS EACH, DUE TO STAGGER.(TYP.)



EXPANSION PIER 1



FIXED PIER 2

LONGITUDINAL SECTION

SCALE: 1/2" = 1'-0"

SCHEDULE FOR DIMENSION H	
LOCATION	H
ABUTMENT NO. 1	5'-9 5/8"
PIER NO. 1 DWN STA	5'-10 1/4"
PIER NO. 1 UP STA	5'-9 5/8"
PIER NO. 2 DWN STA	5'-10 1/4"
PIER NO. 2 UP STA	5'-9 5/8"
ABUTMENT NO. 2	5'-9 5/8"

NOTES:

- 1. H DIMENSION IS FROM TOP OF DECK SLAB TO BOTTOM OF BEARING ASSEMBLY AT C BEARING.

NOTE:

FOR BEARING, SEE ODOT STD. B40-C-BRG-PC4BT

Design	AEJ	6/16	US 169 OVER HICKORY CREEK BRIDGE A LONGITUDINAL SECTION Job Piece No. 24750(04) Sheet No. 70	NOWATA COUNTY
Drawn	WZB	6/16		
Checked	KSJ	6/16		
Approved	SAK	6/16		
Squad	BENHAM			