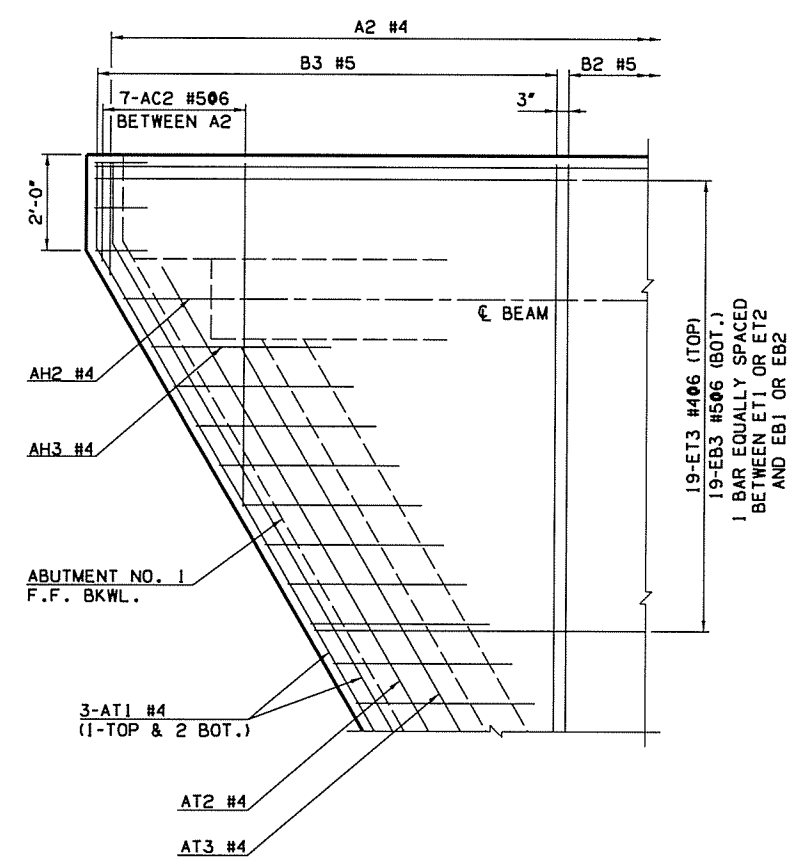
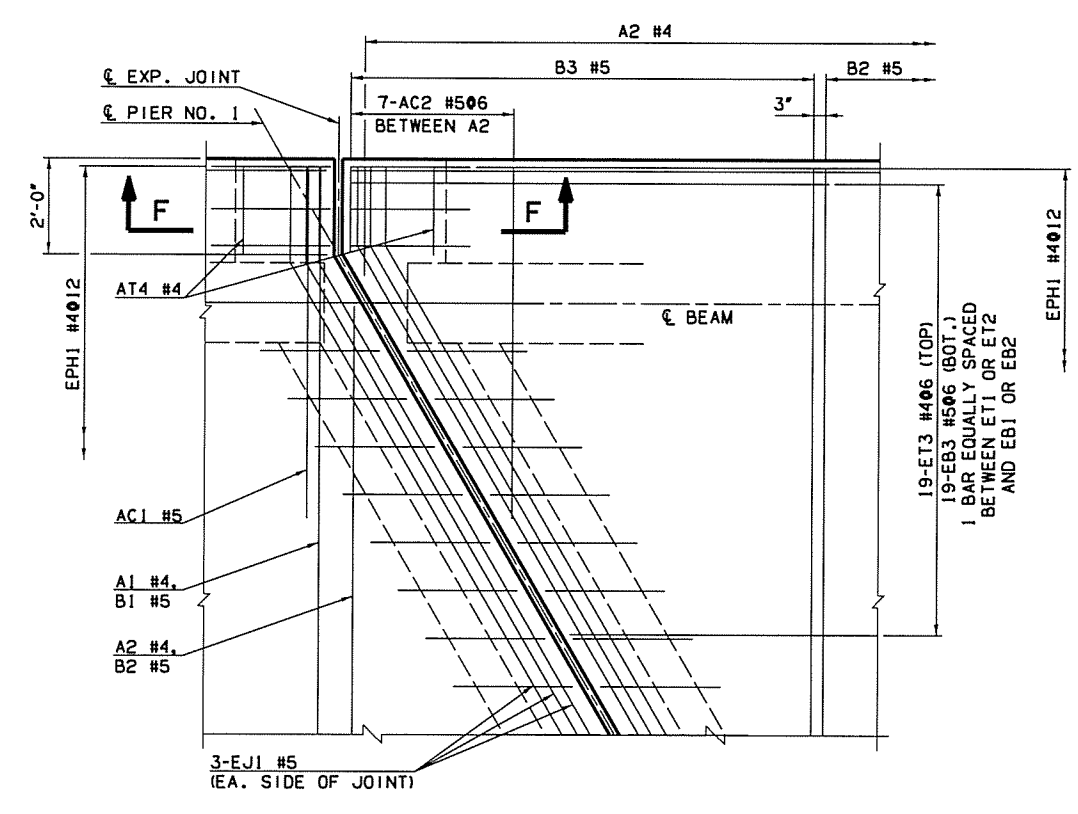


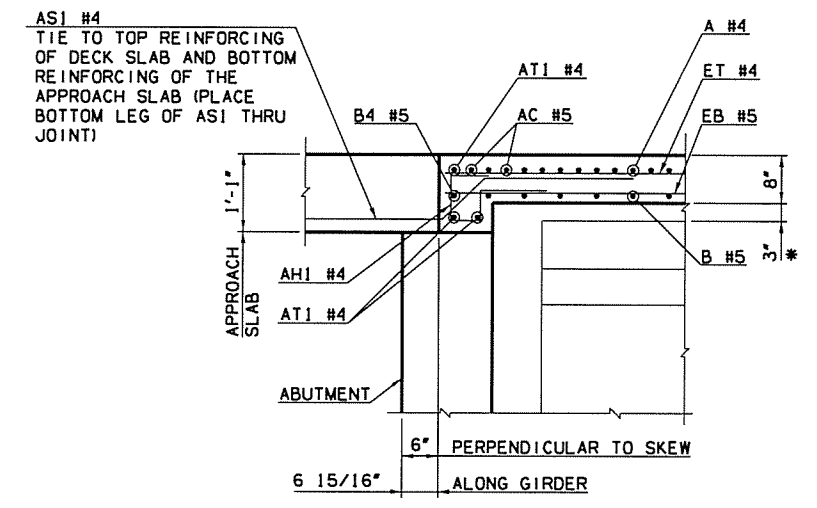
DOT DIVISION	STATE	J/P PROJ NO	FISCAL YEAR	SHEET NO	TOTAL SHEETS
8	OKLA	247501041		68	127



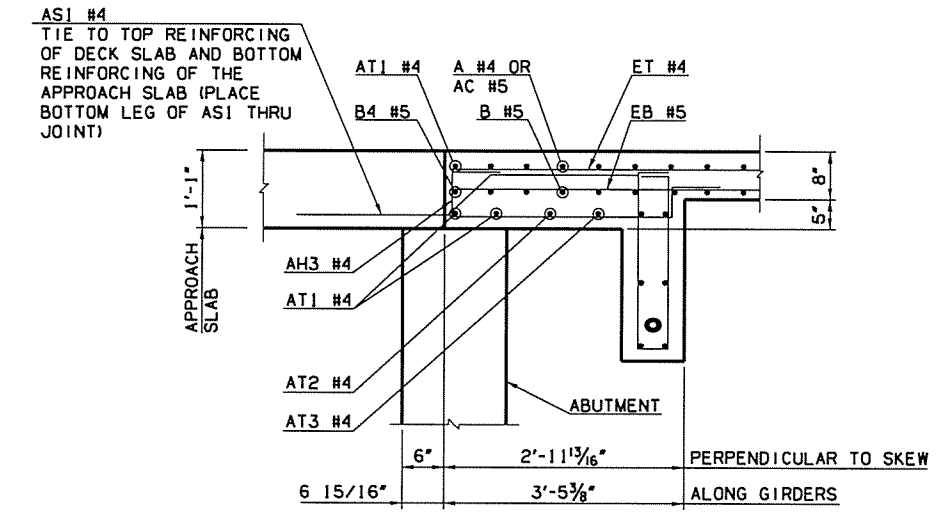
DETAIL 1
SCALE: 1/2" = 1'-0"



DETAIL 2
SCALE: 1/2" = 1'-0"

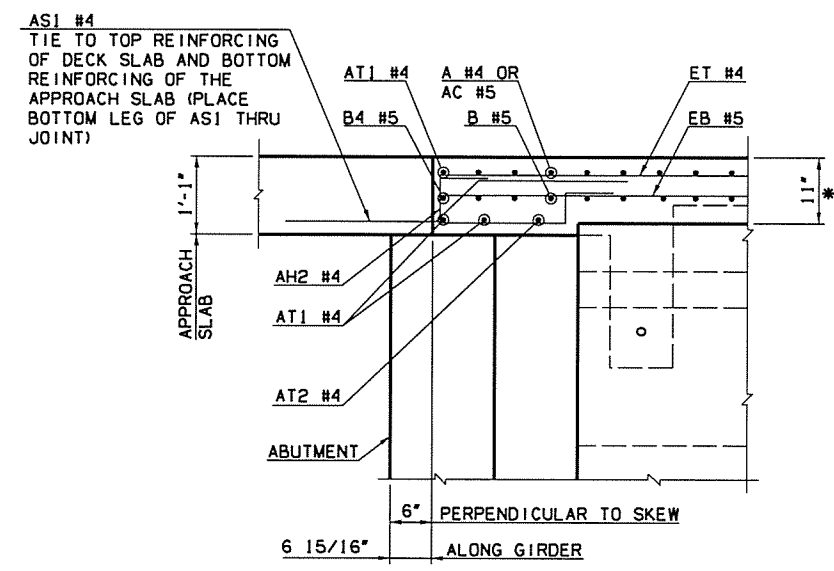


SECTION A-A
SCALE: 3/4" = 1'-0"

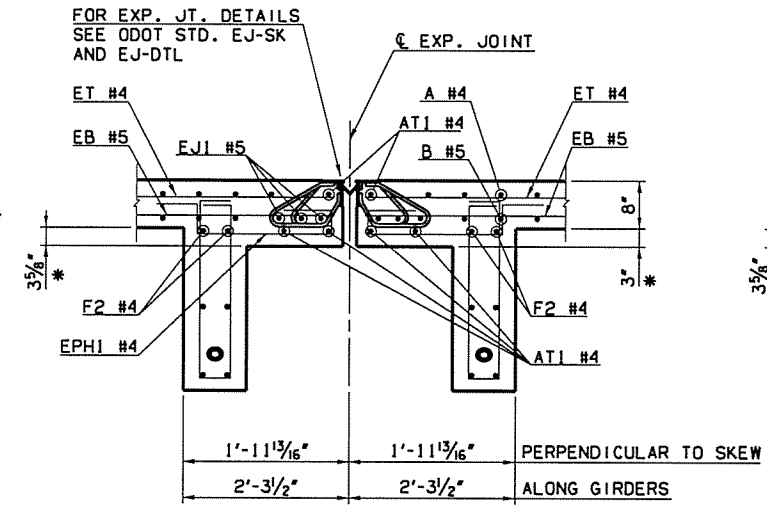


SECTION B-B
SCALE: 3/4" = 1'-0"

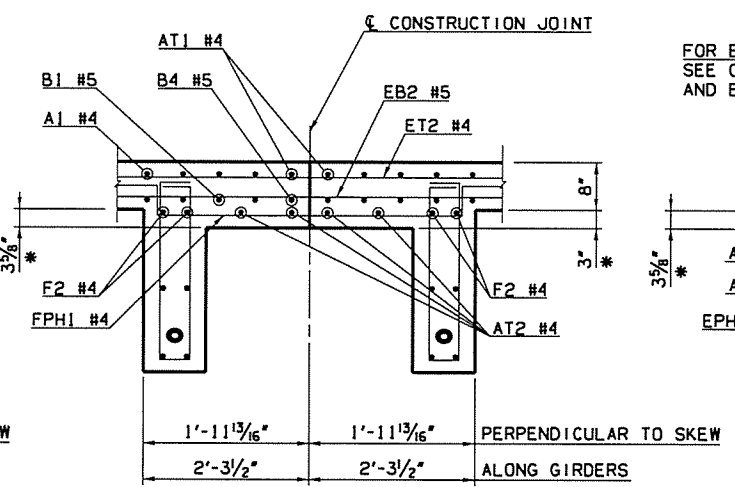
* = AT C OF BEARING



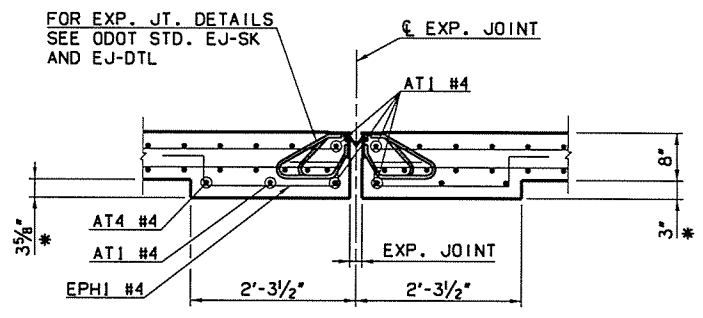
SECTION C-C
SCALE: 3/4" = 1'-0"



SECTION D-D
SCALE: 3/4" = 1'-0"



SECTION E-E
SCALE: 3/4" = 1'-0"



SECTION F-F
SCALE: 3/4" = 1'-0"

Design	PAA 6/16	US 169 OVER HICKORY CREEK	NOWATA COUNTY
Drawn	JT 6/16	BRIDGE A	
Checked	AEJ 6/16	SUPERSTRUCTURE DETAILS	
Approved	SAK 6/16	(SHEET 3 OF 4)	
Squad	BENHAM	Job Piece No. 247501041	Sheet No. 68

7/12/2016 12:29:54 PM P:\EVEN650-TUL-NCIV-253231000-000T-US169BR-dg-20_DESGN-40-CAD-Hickory\106N\5-Bridge A\247501041-S_Deck_Def-01.dgn